

**Thank You For Purchasing This Manual From Fastshipper2004  
If You Did Not Purchase This Manual From Ebay User ID Fastshipper2004  
Please Report this to [shipontime2011@gmail.com](mailto:shipontime2011@gmail.com) ASAP**

**Please Note That I Have Spent Days of Working on Scanning & Preparing  
To Make this Manual Legible & Printable**

**So Please Be Kind to Report This to Me ASAP  
So I Report & Stop the Seller's Auction**



580C CK Loader Backhoe

*S/N 8973675*

Parts Catalog C1283

**This Manual Was Prepared By Fastshipper2004,  
If this Document Was Not Purchase from US  
Please Report To Fastshipper2004, at [shipontime2011@gmail.com](mailto:shipontime2011@gmail.com)**

**J I Case**  
A Tenneco Company



# REVISION RECORD LOG

REVISION NO.	DATE INSERTED
1.	
2.	
3.	
4.	
5.	

TS/6-6-76

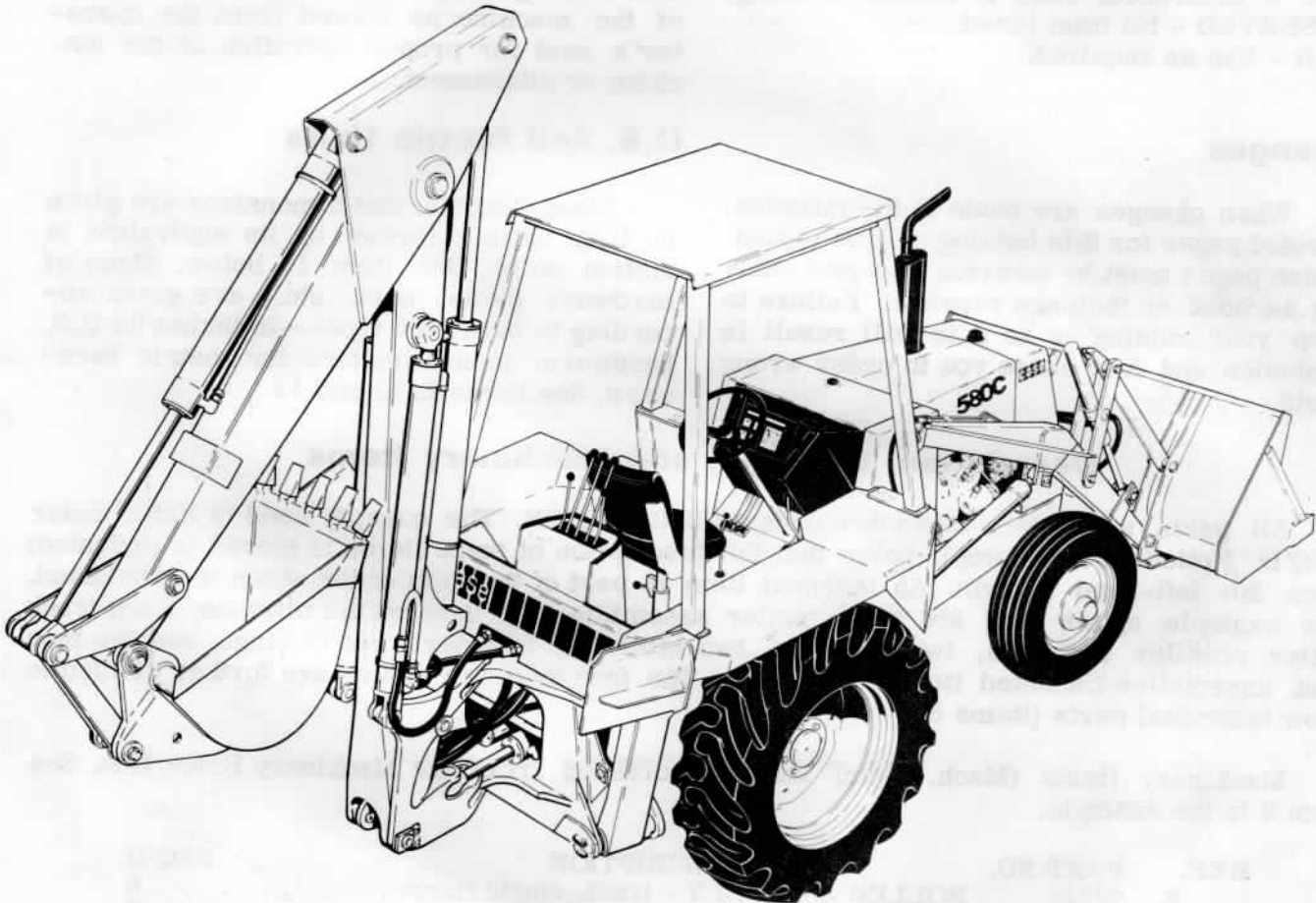
# 580C CK LOADER BACKHOE

Parts Catalog C1283

Whitehall 15,000

Published February 1978

Note: This parts catalog replaces the previous issue - B1283 - which is obsolete and should be discarded.



**J I Case**  
A Tenneco Company



Service Parts Supply

700 State Street  
Racine, Wisconsin 53404

Printed in U.S.A.

## Indexes

This parts catalog is arranged for easy identification of parts. The Alphabetical Index at the front of the catalog gives location of major groups and assemblies. The Numerical Index at the rear of the the catalog gives part numbers and the page on which they are listed.

## Abbreviations and Terms

HHCS - Hex head capscrew.  
 NSS- Not sold separately.  
 REF - Reference. Used to clarify drawing.  
 RESERVED - No item listed.  
 UAR - Use as required.

## Changes

When changes are made to the machine, revised pages for this catalog will be issued. These pages must be inserted into your catalog as soon as they are received. Failure to keep your catalog up to date will result in confusion and may cause you to order wrong parts.

## Orders

Orders should specify correct part number, full description, quantity required, machine and engine model, machine and engine serial numbers, method of shipment and shipping address.

## Right-Hand and Left-Hand Sides

The terms right-hand and left-hand (abbreviated to L. H. and R. H. ) as used in this catalog indicate the right and left sides of the machine as viewed from the operator's seat for proper operation of the machine or attachment.

## U.S. and Metric Units

Sizes, lengths, and dimensions are given in U.S. units followed by its equivalent in metric units. See item 10 below. Sizes of hardware (bolts, nuts, etc.) are given according to hardware type---in inches for U.S. hardware; in millimeters for metric hardware. See items 2, 11 and 12.

## Description, Quantity, and Machinery Items

All parts are briefly described under DESCRIPTION. The quantity used is listed under REQ'D. Notice in the example below that the description of some items is moved in (indented) from the left-hand margin. An indented item is part of the item under which it is indented. The example shows that six track roller assemblies are used on the machine. Each track roller contains two nuts, two washers, two block and retainers, two O-rings, and two face seal assemblies (indented items 1 thru 5). The face seal assemblies are further divided to show individual parts (items 6, 7, and 8).

Machinery items (Mach. Item) must be ordered from the Machinery Price List. See item 9 in the example.

REF.	PART NO.	DESCRIPTION	REQ'D.
	R 27948	ROLLER ASSEMBLY - track, single flange . . . . .	6
1	131- 737	NUT - hex., lock (3/4" - 10 NC) . . . . .	2
2	R 29429	WASHER - hardened, 1/2" thick . . . . .	2
3	R 27951	BLOCK AND RETAINER - seal . . . . .	2
4	A 7156	O-RING . . . . .	2
5	D 35267	SEAL - face . . . . .	2
6	NSS	BODY - seal, split . . . . .	1
	D 36826	KIT - repair . . . . .	1
7	NSS	SEAL - rubber . . . . .	2
8	NSS	RETAINER - plastic . . . . .	1
9	Mach. Item	FRAME - mounting (See page 2 or 3 for ordering) . . . . .	1
10	D 48297	HOSE - lube, 30" (762 mm) long . . . . .	1
11	13- 728	HHCS - 7/16" - 14 NC x 1-3/4" . . . . .	2
12	D 51263	HHCS - M20 x 2.5 x 80 (8.8) . . . . .	2

# PARTS ORDERING INFORMATION FOR FRENCH, GERMAN, ITALIAN AND SWEDISH SPEAKING COUNTRIES

3

## COMMANDE DE PIÈCES DE RECHANGE

Ce catalogue Pièces Rechange est conçu pour une identification facile de toutes les pièces CASE d'origine. Situé au début du catalogue, un répertoire permet de localiser rapidement les principaux groupes ou montages. A la fin du catalogue, un index numérique de pièces de rechange précise la page sur laquelle chacune des pièces est décrite.

Les pièces sont mentionnées par ordre du numéro de référence suivies du numéro de la pièce, de la description et de la quantité nécessaire. Les quantités mentionnées sous la rubrique « Quantité » correspondent à la quantité nécessaire pour former des assemblages ou des sous-ensembles.

Toutes les pièces sont illustrées sur des dessins éclatés montrant les pièces individuellement les unes par rapport aux autres. Les numéros de référence correspondent aux numéros des pièces sur les vues éclatées. Ces chiffres se rapportent à ceux de la rubrique « Chiffre de référence » qui sont suivis par le numéro de la pièce et sa description.

Toutes les commandes doivent spécifier exactement le numéro correct de la pièce, sa description, la quantité nécessaire, le type et le NUMERO DU MATERIEL, le mode d'expédition et l'adresse du destinataire.

Pour être sûr que votre commande de pièces correspond à vos besoins, vérifiez l'illustration et la description dans le catalogue avec la pièce à commander.

## BESTELLUNG VON ERSATZTEILEN

Diese Ersatzteilliste ist so zusammengestellt, dass alle Original—CASE—Ersatzteile leicht identifiziert werden können. Vorn ist ein Inhaltsverzeichnis nach Baugruppen und Bauteilen angeordnet, welches das Auffinden der Teile erleichtert. Hinten am Schluss der Liste befindet sich ein fortlaufendes Verzeichnis der Ersatzteilnummern, in dem der betreffenden Ersatzteilnummer jeweils die Seitennummer gegenübersteht, auf der das Teil verzeichnet ist.

Im Ersatzteilverzeichnis befindet sich vor der Ersatzteilnummer eine laufende Nummer, die auch auf der Abbildung wiederholt wird, daneben die Ersatzteilnummer, die Bezeichnung des Teils und die davon benötigte Stückzahl für die betreffende Baugruppe.

Alle Teile sind in Zerlegt-Darstellung so abgebildet, dass sie in ihrem natürlichen Zusammenhang mit den anderen Teilen erkennbar sind, und werden mit der « laufenden Nummer » des Ersatzteilverzeichnisses bezeichnet, um ihre Auffindung zu erleichtern.

Alle Ersatzteil-Aufträge müssen deutlich die richtige Ersatzteilnummer, die genaue Beschreibung, die benötigte Anzahl von Teilen, Modell und NUMMER des traktors, die gewünschte Versandart und die Versandadresse enthalten.

Das benötigte Teil muss sorgfältig mit der Abbildung und der Beschreibung verglichen werden, damit die in Auftrag gegebenen Teile auch richtig bestellt sind.

## ORDINI DI PEZZI

Questo libro di pezzi è disposto in modo da permettere facilmente una identificazione di tutti gli Autentici Pezzi CASE Impiegati. Un indice è fornito sulla facciata del catalogo dei pezzi per individuare i principali gruppi o montaggi. Un indice numerico alla fine del catalogo dei pezzi indica la pagina in cui ciascun pezzo numerato è descritto.

I pezzi sono elencati in ordine di numero di riferimento seguito dal numero del pezzo, descrizione, e quantitativo richiesto. I quantitativi indicati nella colonna « Quantitativo richiesto » rappresentano il numero di pezzi richiesto per comporre uno dei precedenti Montaggi o Sotto- Montaggi.

Tutti i pezzi sono illustrati in « Prospetti Sviluppati » che mostrano i singoli pezzi e la loro relazione normale tra di loro. I numeri di riferimento sono indicati nella illustrazione. Questi numeri corrispondono a quelli nella colonna « Numero di Riferimento » e sono seguiti dal numero del pezzo e la descrizione.

Tutti gli ordini devono specificare chiaramente il preciso numero del pezzo, completa descrizione, quantitativo richiesto, modello e NUMERO DELLA SERIE della trattoria, metodo di spedizione e indirizzo della spedizione.

Controllate l'illustrazione e la descrizione con il pezzo richiesto, per assicurarvi che i pezzi ordinati sono giusti.

## BESTÄLLNING AV RESERVDLAR

Denna reservdelkatalog har getts en speciell uppställningsform för att förenkla identifieringen av alla äkta CASE reservdelar. Ett register finns i början av katalogen upptagande de olika större grupperna och enheterna. En reservdelsnummerförteckning i slutet av katalogen anger vilken sida de olika detaljerna förekomma på.

De olika reservdelarna anges i referensnummerordning åtföljda av serservdelsnumret, beskrivning och antal. Antalet, som anges i kolumnen « Quantity Required », är det antal som ingår i enheten i fråga.

Alla reservdelar avbildas i sprängbilder i sina inbördes lägen. Referensnumren anges på sprängbilderna. De framgår också av kolumnen « Reference Number » där de åtföljas av beskrivning och reservdelsnummer.

Reservdelbeställningar skall upptaga korrekt reservdelsnummer, beskrivning, beställt antal, modell och serienummer på maskinen, transportsätt och mottagarens adress.

Kontrollera noga att bild och beskrivning motsvara den önskade detaljen så att misstag undvikas.

720143

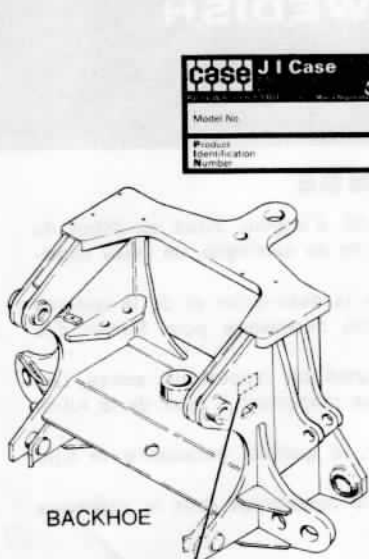
Printed In U.S.A.

Issued January, 1978

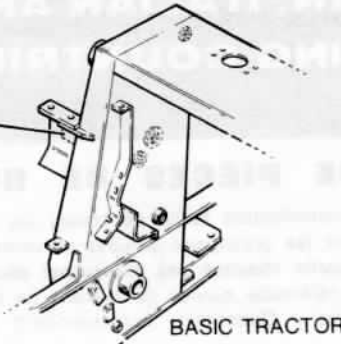
# 580C CONSTRUCTION KING LOADER BACKHOE SERIAL NUMBER LOCATIONS

<b>Case</b> <b>J I Case</b>
Model No.
Product Identification Number

<b>J I Case</b>	FOR APPLICATION ON	480C & 580C	
Racine, Wisconsin 53404 USA	CONSTRUCTION KING Tractors		
TYPE NUMBER	MAXIMUM WEIGHT	16,000 lbs.	
PERFORMS TO	OSHA 1926.1001	ASSEMBLY	CA R748
PERFORMS TO STANDARDS	MANUFACTURED IN ACCORDANCE WITH		
	SAE J394 (REV. 1994)	SAE J231 (REV. 1994)	SAE J1040 (REV. 1994)



BACKHOE

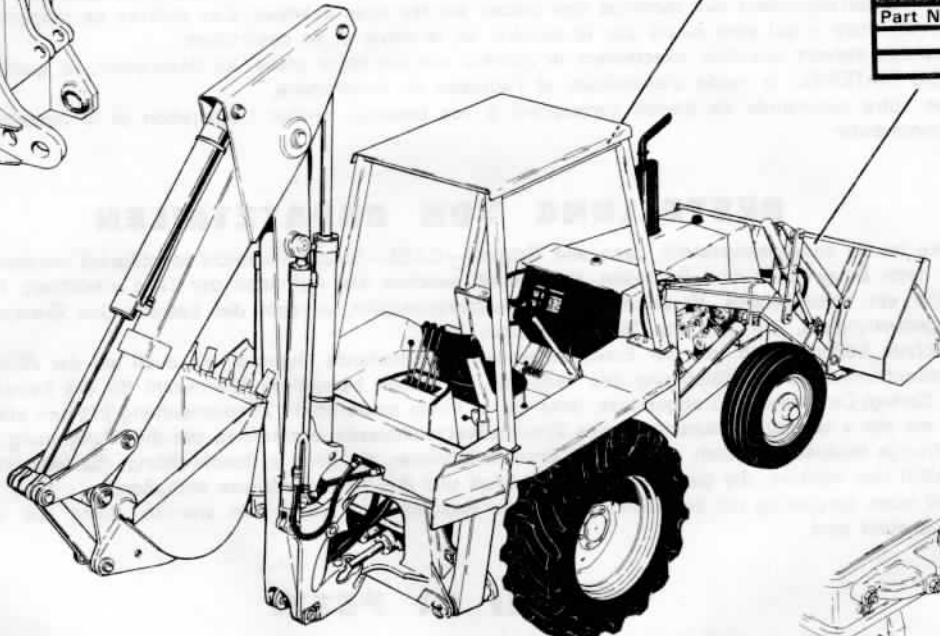


BASIC TRACTOR

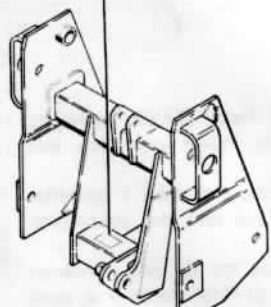
CAB OR CANOPY

<b>J I Case</b>
Part No.

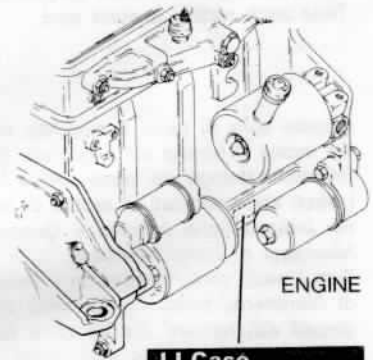
BUCKET



<b>J I Case</b>
Component / Attachment
Model / Name
Serial No.

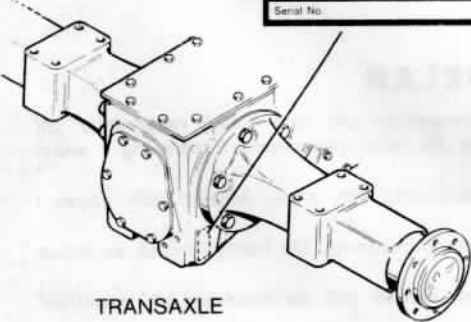


3 POINT HITCH

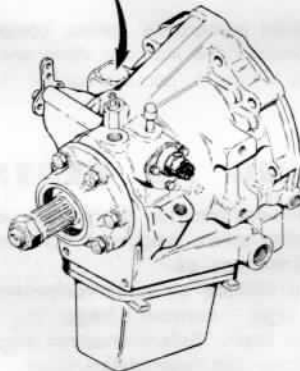


ENGINE

<b>J I Case</b>
Component / Attachment
Model / Name
Serial No.

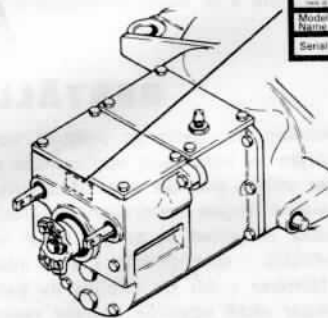


TRANSAXLE



POWER SHUTTLE

<b>J I Case</b>
Component / Attachment
Model / Name
Serial No.



MANUAL SHUTTLE

750626 B

**This Manual Was Prepared By Fastshipper2004,  
If this Document Was Not Purchase from US  
Please Report To Fastshipper2004, at [shipontime2011@gmail.com](mailto:shipontime2011@gmail.com)**

## ALPHABETICAL INDEX

## A

Air Cleaner .....	109
Alarm - backup .....	101
Alternator - electrical .....	43-45
Anti-Rollback .....	249, 251
Axle	
Front .....	173
Rear .....	151

## B

Backhoe	
Buckets .....	377-383
Extendable Dipper .....	375
Frame and Mounting Parts .....	365, 367
Hydraulic Circuits (See Hydraulic Circuits)	
Stabilizers .....	365
Tower, Boom and Dipper .....	369-373
Backup Alarm .....	101
Battery .....	57, 57B
Beacon - rotating .....	93-97
Bearings	
Main - engine .....	27
Rod - engine .....	29
Belt - alternator and fan drive .....	51
Belt - seat .....	407
Blade - loader .....	357
Block - engine .....	23
Brake System .....	153-163
Buckets	
Backhoe .....	377-383
Loader .....	353-355B

## C

Cab	
Doors, Windows and Related Parts .....	423, 423B
Electrical and Lighting .....	59, 61, 75
Frame and Rear Window .....	421
Heater and Defroster .....	81-87
Glass and Moldings .....	425
Mounting Parts .....	417
Panels - enclosure, cab to tractor .....	419
Windshield Wipers .....	89

## C

Camshaft - engine .....	25
Canopy - ROPS .....	427
Chassis - tractor .....	399
Clutch, Clutch Pedals, and Linkage .....	125, 127, 165
Clutch Cutout .....	67
Cold Start System .....	103
Column - steering .....	181, 189
Connecting Rods - engine .....	29
Controls	
Backhoe .....	223, 385-391
Brake .....	157-163
Clutch .....	165
Clutch Cutout .....	67
Engine Speed .....	171
Hitch - 3 point .....	283
Loader .....	245-251
Loader Positioning .....	249, 251
PTO .....	231
Transmission and Shuttle .....	139, 167, 169
Converter - torque .....	113
Cooler - power shuttle .....	195, 195B
Cooler - PTO .....	229, 229B
Counterweights .....	361, 363
Coupling - hydraulic pump to engine .....	51, 197
Coupling - hydraulic line disconnect .....	299
Cover - cylinder head .....	19
Cover - timing gear .....	15
Crankshaft - engine .....	27
Cylinders - hydraulic	
Boom - backhoe .....	325, 327
Brake - master cylinder .....	161
Bucket - backhoe .....	333, 335
Clam - loader .....	309, 311
Dipper - backhoe .....	329, 331
Dipper Extension - backhoe .....	337, 339
Grapple - loader .....	313, 315
Lift - hitch, 3 point .....	341, 343
Lift - loader .....	301, 303
Pitch - hitch, 3 point .....	349
Stabilizer - backhoe .....	317, 319
Steering .....	193
Swing - backhoe .....	321, 323
Tilt - hitch, 3 point .....	345, 347
Tilt - loader bucket .....	305, 307
Cylinder Head - engine .....	19
Cylinder Sleeve - engine .....	29

## ALPHABETICAL INDEX

## D

Decals .....	431, 433
Defroster .....	81-87
Differential and Differential Lock ..	139, 149, 149B
Dipsticks .....	23, 117, 141, 187
Drawbar - swinging or rigid .....	397
Drive Shaft .....	137

## E

Electrical System .....	55-107, 237, 249, 251
Engine .....	11-49
Engine Mounting .....	51

## F

Fan	
Defroster .....	85-87
Heater .....	85
Engine Cooling .....	53
Fenders - rear wheels .....	401
Filter	
Air .....	109
Engine Oil .....	17
Fuel .....	37
Hydraulic Oil .....	297
Floor Plates and Firewall .....	405
Flywheel - engine .....	27
Fork - loader pallet .....	357
Frame - tractor .....	399
Frost Point - backhoe .....	373
Fuel Injection System .....	35
Fuel Shutoff Cable .....	171
Fuel Tank and Lines .....	111

## G

Gasket Kits - engine .....	31
Gauges	
Hourmeter .....	71
Instrument Panel Cluster .....	69
PTO Speed .....	237
Grille .....	411
Guides - engine valve .....	19, 21

## H

Harness - electrical .....	55-67, 71-77, 237, 251
Cab - operator's .....	75
Canopy - ROPS .....	73
Front - tractor .....	55-57D
Hourmeter .....	71
Main - tractor .....	59-65
PTO Speed Indicator .....	237
Rear, without canopy or cab .....	77
Return-to-Dig .....	251
Head - cylinder, engine .....	19
Heater	
Cab .....	81-85
Engine block .....	23
Hitch - 3 point	
Frame and Mounting Parts .....	393
Hydraulic Circuits (See Hydraulic Circuits)	
Lift Arm and Linkage .....	395
Hood - tractor .....	411
Horn - electric .....	99
Hose and Fitting Conversion Part Numbers ..	434
Hourmeter .....	71
Hub - front wheel .....	175
Hydraulic Circuits	
Backhoe Boom .....	213, 215
Backhoe Boom Lock .....	223
Backhoe Bucket .....	219, 219B
Backhoe Dipper .....	217
Backhoe Dipper Extension .....	221
Backhoe Stabilizer .....	209
Backhoe Swing .....	211
Equipment Primary .....	197-201
Hitch Cylinder - 3 point .....	227, 227B
Hitch Valve - 3 point .....	225
Loader Clam or Grapple .....	207
Loader Lift .....	203
Loader Tilt .....	205
Power Shuttle Transmission .....	195, 195B
PTO .....	229-235

## I

Injection Pump - fuel .....	39
Injection Pump Drive - fuel .....	33
Injector Nozzle - ether .....	103
Injector Nozzle - fuel .....	35, 41
Instruments - tractor .....	69, 71, 237



## ALPHABETICAL INDEX

## L

Levers - control (See Controls)	
Lifters - engine valves .....	21
Lights	
Dipper .....	105, 107
Tractor .....	73-79B
Loader	
Buckets and Attachments .....	353-359
Hydraulic Circuits (See Hydraulic Circuits)	
Lift Frame .....	351

## M

Manifolds - engine .....	11
Motor - hydraulic, PTO .....	235, 295
Motor - wiper .....	91
Muffler - engine exhaust .....	51

## N

Noise Reduction Pads .....	415
Nozzle - ether injection .....	103
Nozzle - fuel injection .....	35, 41
Numerical Index .....	435

## O

Oil Eruption Kit - power shuttle .....	123B
Oil Filter	
Engine .....	17
Hydraulic .....	297
Oil Pan - engine .....	17
Oil Pump - engine .....	17

## P

Pads - noise reduction .....	415
Pallet Forks - loader .....	357
Pan - engine oil .....	17
Panel - enclosure, cab .....	419
Panel - engine side .....	413
Panel - instrument .....	59, 61, 69
Parking Brake .....	163
Pistons - engine .....	29
PTO	
Cooling System - hydraulic .....	229
Hydraulic Circuit and Control .....	231
Motor and Motor Housing .....	233, 235, 295
Shield and Speed Indicator .....	237
Pulley	
Alternator .....	43, 45
Crankshaft .....	27
Fan .....	13
Pump	
Engine Oil .....	17
Fuel Injection .....	39
Hydraulic Equipment .....	239, 241
Steering .....	187
Water .....	13
Push Rod - engine .....	21

## R

Radiator - engine .....	53
Regulator - alternator .....	43, 45
Return-To-Dig .....	249, 251
Rings - piston, engine .....	29
Rocker Arm - engine .....	21
Rod - connecting, engine .....	29
Rod - push, engine .....	21
Rotating Beacon .....	93-97

## S

Seat - operators .....	407-409B
Seat - engine valves .....	21

## ALPHABETICAL INDEX

## S

Sending Units	
Air Filter Restriction .....	55, 57B
Fuel Gauge .....	57, 57D
Hourmeter .....	71
Oil Filter Restriction .....	57, 57D
Oil Pressure .....	57, 57D
Oil Temperature - power shuttle .....	67
Water Temperature .....	55, 57B
Shuttle Transmission	
Mechanical Shift .....	125-135
Power Shift .....	115-123
Sleeves - engine .....	29
Slow Moving Vehicle Emblem .....	429
Solenoid - starter .....	47, 49B
Spindle - front axle .....	173
Starter - engine .....	47-49B
Steering - power circuit .....	183, 185
Steering Wheel .....	181
Switches	
Clutch Cutout .....	67
Ignition and Starter .....	59, 61
Lights .....	59-65
Neutral Start .....	57, 57D
Return-To-Dig .....	249-251
Swivel Fittings .....	243

## T

Tank	
Fuel .....	111
Hydraulic .....	197, 199
Teeth - buckets .....	353, 355, 377-383
Thermostat - engine .....	13
Throttle - engine .....	171
Timing Gear Cover .....	15
Tool Box .....	401

## T

Torque Converter .....	113
Tower - backhoe control .....	385
Transaxle .....	139-155
Transmission - shuttle	
Mechanical Shift .....	125-135
Power Shift .....	115-123
Turn Signals .....	73-77

## V

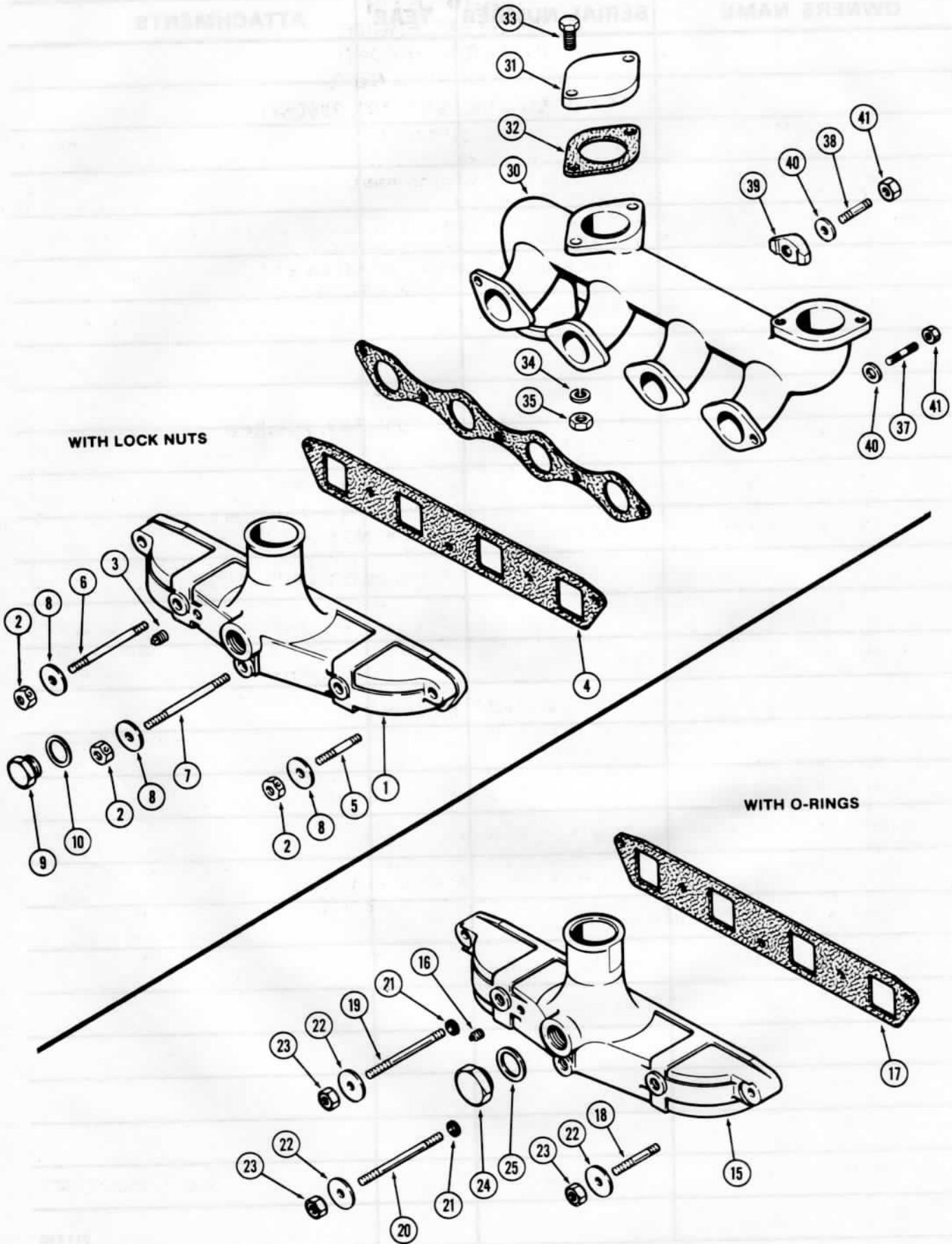
Valves	
Backhoe Control .....	271-277
Backhoe Stabilizer .....	269
Boom Lock .....	279
Engine .....	21
Hitch Control - 3 point hitch .....	285-291
Loader Control .....	253-267
PTO Selector .....	293
Relief - hydraulic tank .....	197
Relief - shuttle .....	115, 129, 195, 195B
Relief - tractor without loader .....	281
Relief - transaxle .....	141
Steering .....	189, 191
Valve Guides .....	19, 21

## W

Water Pump .....	13
Wheel - steering .....	181
Wheels and Tires	
Front .....	177
Rear .....	179
Wiper - cab window .....	89
Wiper Motors .....	91

**This Manual Was Prepared By Fastshipper2004,  
If this Document Was Not Purchase from US  
Please Report To Fastshipper2004, at shipontime2011@gmail.com**





# 580C CONSTRUCTION KING LOADER BACKHOE

## MANIFOLDS 207 DIESEL ENGINE INTAKE MANIFOLD WITH LOCKING NUTS

### 1ST USED ENG. SER. NO. 2880541

REF.	PART NO.	DESCRIPTION	REQ'D
1	A 152536	MANIFOLD ASSY - intake .....	1
2	131- 206	NUT - lock, (3/8" NC w/nylon insert) .....	5
3	221- 11	PLUG - 1/8" P.T., sq. hd. ....	1
4	G 46871	GASKET - manifold to head .....	1
5	A 140924	STUD - manifold, ends (3/8" NC x 2-7/16") .....	2
6	A 51499	STUD - manifold, intermediate (3/8" NC x 4-5/16") .....	2
7	A 51500	STUD - manifold, center (3/8" NC x 5-5/16") .....	1
8	D 41740	WASHER - studs (3/8 x 1 x 1/8") .....	5
9	A 20917	PLUG - manifold (heater hole) .....	1
10	A 20916	GASKET - plug .....	1

### WITH O-RINGS

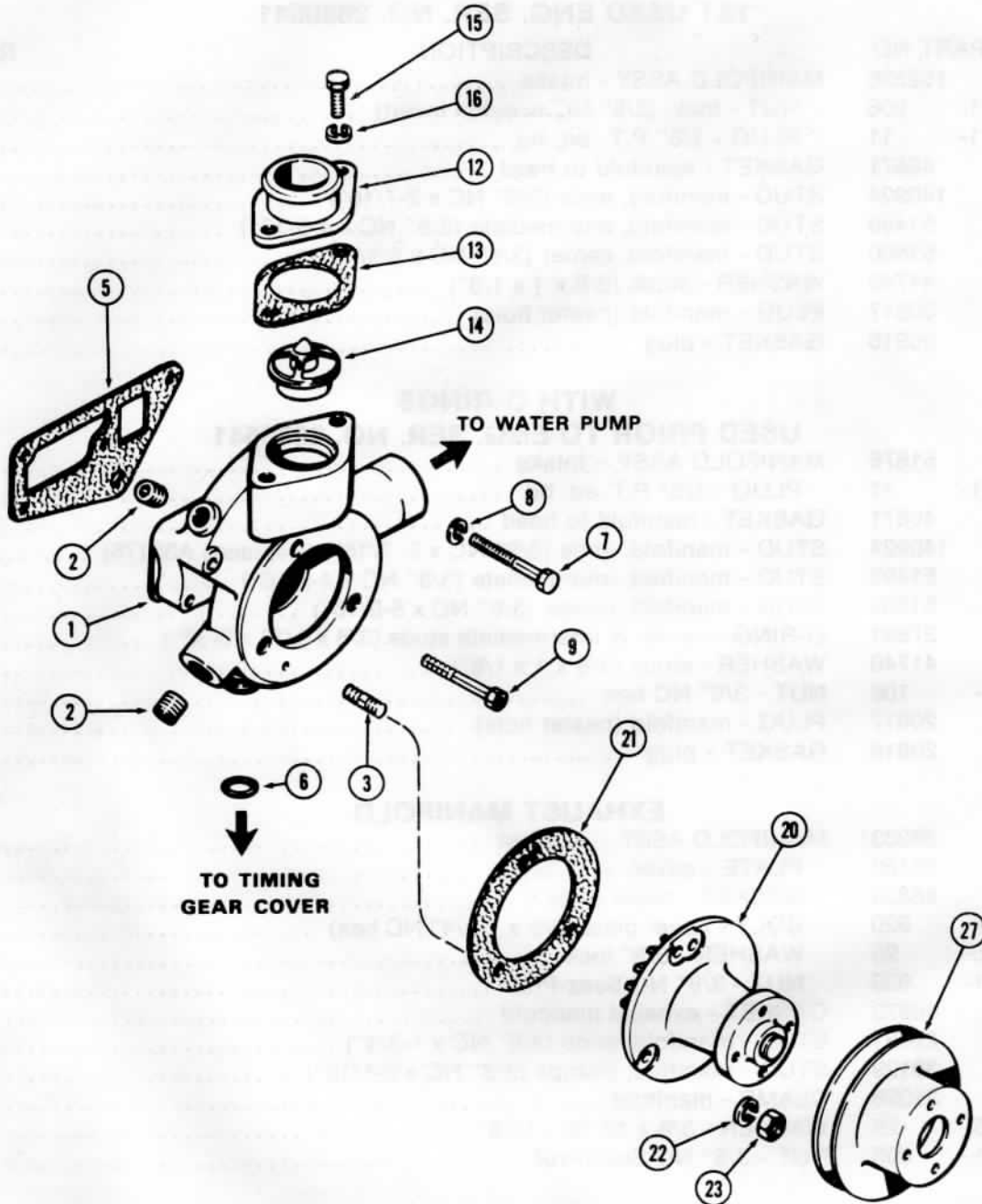
#### USED PRIOR TO ENG. SER. NO. 2880541

15	A 51876	MANIFOLD ASSY. - intake .....	1
16	221- 11	PLUG - 1/8" P.T. sq. hd. ....	1
17	G 46871	GASKET - manifold to head .....	1
18	A 140924	STUD - manifold, ends (3/8" NC x 2- 7/16") (Replaces A35175) .....	2
19	A 51499	STUD - manifold, intermediate (3/8" NC x 4-5/16") .....	2
20	A 51500	STUD - manifold, center (3/8" NC x 5-5/16") .....	1
21	A 27891	O-RING - center & intermediate studs (3/8 x 9/16 x 3/32") .....	3
22	D 41740	WASHER - studs (3/8 x 1 x 1/8") .....	5
23	25- 106	NUT - 3/8" NC hex .....	5
24	A 20917	PLUG - manifold (heater hole) .....	1
25	A 20916	GASKET - plug .....	1

### EXHAUST MANIFOLD

30	A 392331	MANIFOLD ASSY. - exhaust .....	1
31	A 38188	PLATE - cover .....	2
32	G 46853	GASKET - cover plate .....	2
33	13- 620	BOLT - cover plate (3/8 x 1-1/4" NC hex) .....	4
34	195- 25	WASHER - 3/8" lock .....	4
35	131- 903	NUT - 3/8" NC Seez-Pruf .....	4
36	G 46872	GASKET - exhaust manifold .....	1
37	A 29431	STUD - manifold, ends (3/8" NC x 1-3/4") .....	2
38	A 39129	STUD - manifold, clamps (3/8" NC x 2-1/16") .....	3
39	A 35028	CLAMP - manifold .....	3
40	195- 25	WASHER - 3/8 x 13/16 x 1/16" .....	5
41	131- 903	NUT - 3/8" NC Seez-Pruf .....	5

WATER PUMP  
FOR DIESEL ENGINE  
PARTS MANUAL  
WITH LOCKING WATERS

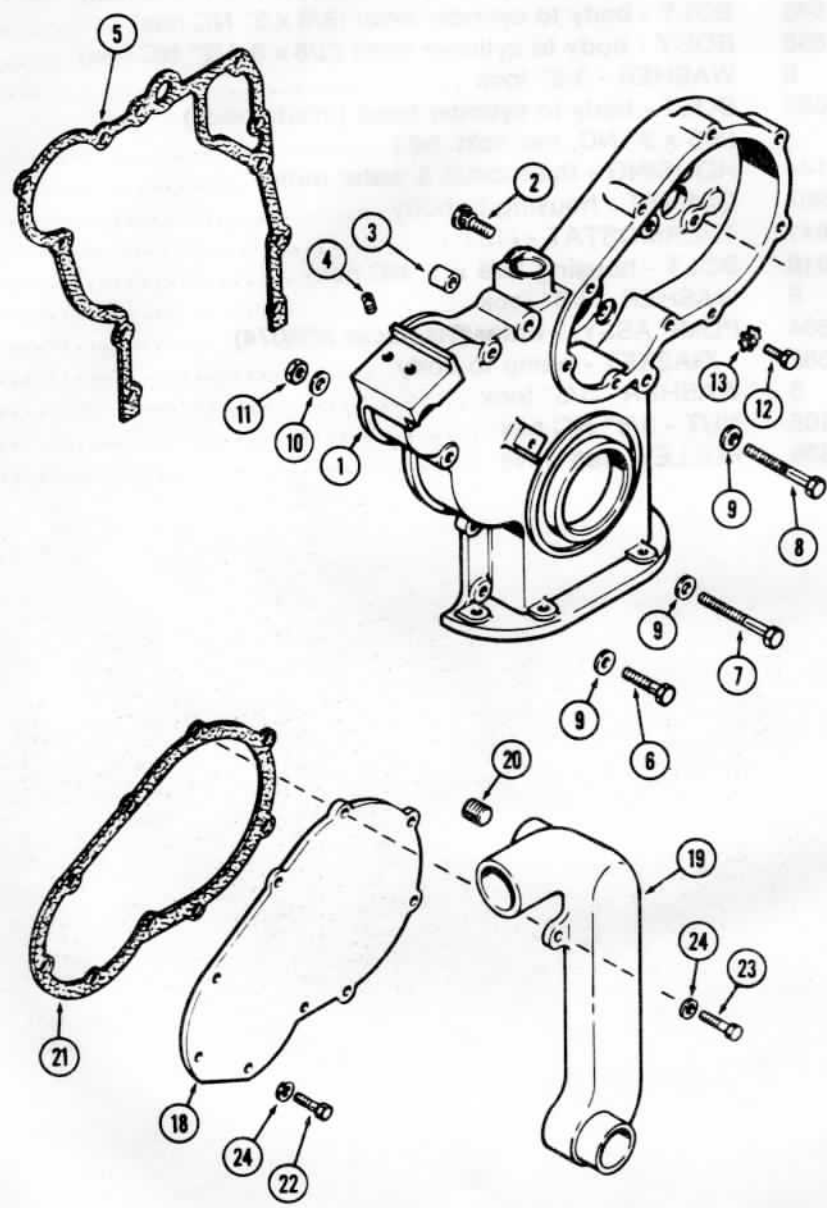


This Manual Was Prepared By Fastshipper2004,  
If this Document Was Not Purchase from US  
Please Report To Fastshipper2004, at [shipontime2011@gmail.com](mailto:shipontime2011@gmail.com)

## WATER PUMP 207 DIESEL ENGINE

REF.	PART NO.	DESCRIPTION	REQ'D
1	A 152802	BODY ASSY. - water pump (Replaces A139826) .....	1
2	221- 843	PLUG - body (3/8" P.T., sckt. hd.) .....	2
3	A 29433	STUD - water pump (3/8" NC x 1") .....	3
5	A 38084	GASKET - body to cylinder head .....	1
6	F 62075	O-RING - body to cover (3/4 x 1 x 1/8") .....	1
7	13- 620	BOLT - body to cylinder head (3/8 x 1-1/4" NC hex) .....	1
7	13- 648	BOLT - body to cylinder head (3/8 x 3" NC hex) .....	1
7	13- 656	BODY - body to cylinder head (3/8 x 3-1/2" NC hex) .....	1
8	92- 6	WASHER - 3/8" lock .....	3
9	61- 632	BOLT - body to cylinder head (inside body) (3/8 x 2" NC, hex sckt. hd.) .....	1
12	G 2144	HOUSING - thermostat & water outlet .....	1
13	G 46907	GASKET - housing to body .....	1
14	A 57641	THERMOSTAT - (180°) .....	1
15	13- 616	BOLT - housing (3/8 x 1" NC hex) .....	2
16	92- 6	WASHER - 3/8" lock .....	2
20	A 146584	PUMP ASSY. - water (Replaces A39074) .....	1
21	A 38083	GASKET - pump to body .....	1
22	92- 6	WASHER - 3/8" lock .....	2
23	25- 106	NUT - 3/8" NC hex .....	2
27	G 11339	PULLEY - fan drive .....	1

WATER PUMP  
307 DIESEL ENGINE



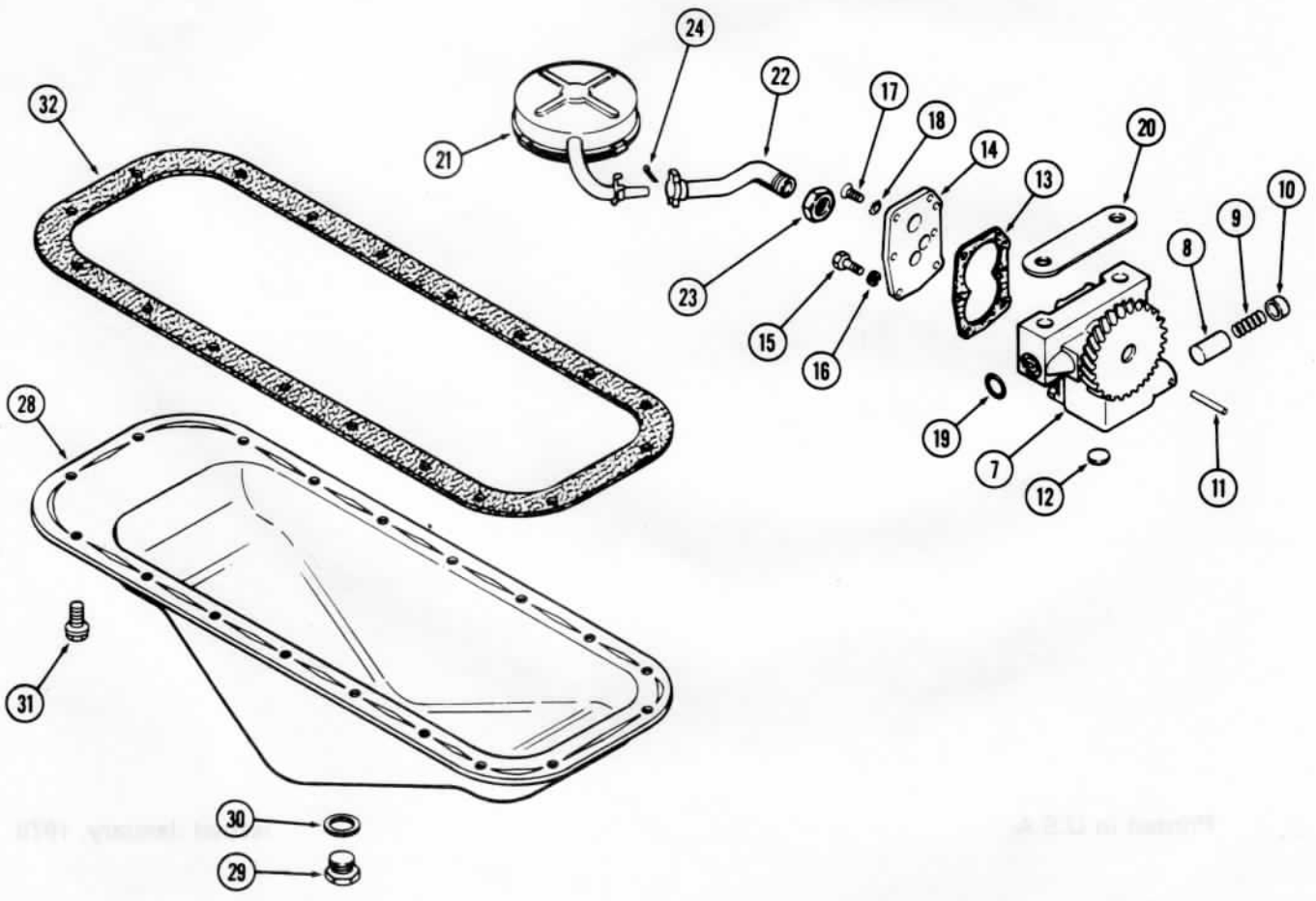
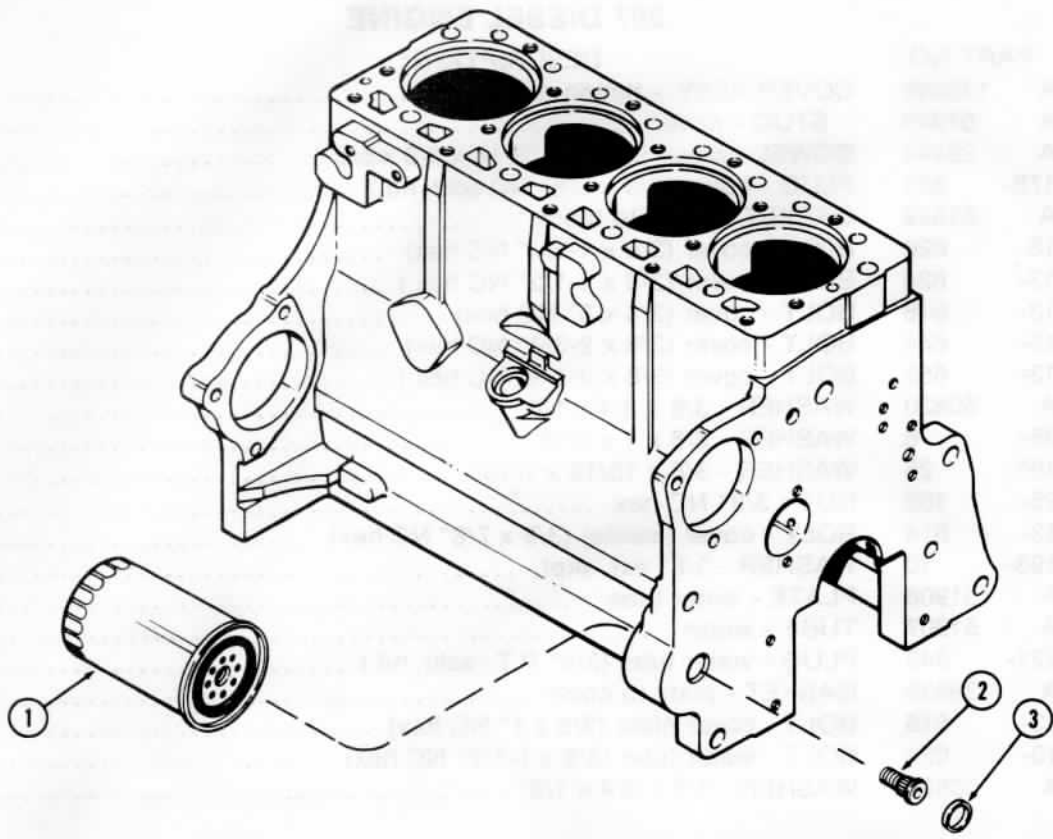


### TIMING GEAR COVER 207 DIESEL ENGINE

REF.	PART NO.	DESCRIPTION	REQ'D
1	A 138245	COVER ASSY. - timing gears .....	1
2	A 51649	STUD - cover .....	2
3	A 29442	DOWEL - cover locating (9/16 x 3/8 x 5/8") .....	2
4	178- 821	PLUG - cover (3/8 x 3/8" NC sckt. hd.) .....	2
5	A 51529	GASKET - cover to block .....	1
6	13- 620	BOLT - cover (3/8 x 1-1/4" NC hex) .....	3
6	13- 624	BOLT - cover (3/8 x 1-1/2" NC hex) .....	1
7	13- 648	BOLT - cover (3/8 x 3" NC hex) .....	1
7	13- 644	BOLT - cover (3/8 x 2-3/4" NC hex) .....	1
8	13- 652	BOLT - cover (3/8 x 3-1/4" NC hex) .....	3
9	A 50820	WASHER - 3/8 x 3/4 x 1/8" .....	9
9	95- 6	WASHER - 3/8 x 1 x 1/16" .....	1
10	195- 25	WASHER - 3/8 x 13/16 x 1/16" .....	3
11	25- 106	NUT - 3/8" NC hex .....	3
12	13- 614	BOLT - cover (inside) (3/8 x 7/8" NC hex) .....	2
13	193- 10	WASHER - 3/8" ext. skpf. ....	2
18	A 51908	PLATE - water tube .....	1
19	A 51907	TUBE - water .....	1
20	221- 843	PLUG - water tube (3/8" P.T., sckt. hd.) .....	1
21	A 39925	GASKET - plate to cover .....	1
22	13- 616	BOLT - cover plate (3/8 x 1" NC hex) .....	5
23	13- 624	BOLT - water tube (3/8 x 1-1/2" NC hex) .....	2
24	A 50820	WASHER - 3/8 x 3/4 x 1/8" .....	7

REAR HOUSING FOR THE LOWER BACKHOE

TYING BEAR COVER



### OIL FILTER 207 DIESEL ENGINE

REF.	PART NO.	DESCRIPTION	REQ'D
1	A 146696	FILTER - engine oil (Replaces A37189) .....	1
2	A 37206	ADAPTER - filter to block .....	1
3	41- 1016	PLUG - adapter hole (1" cup type) .....	1

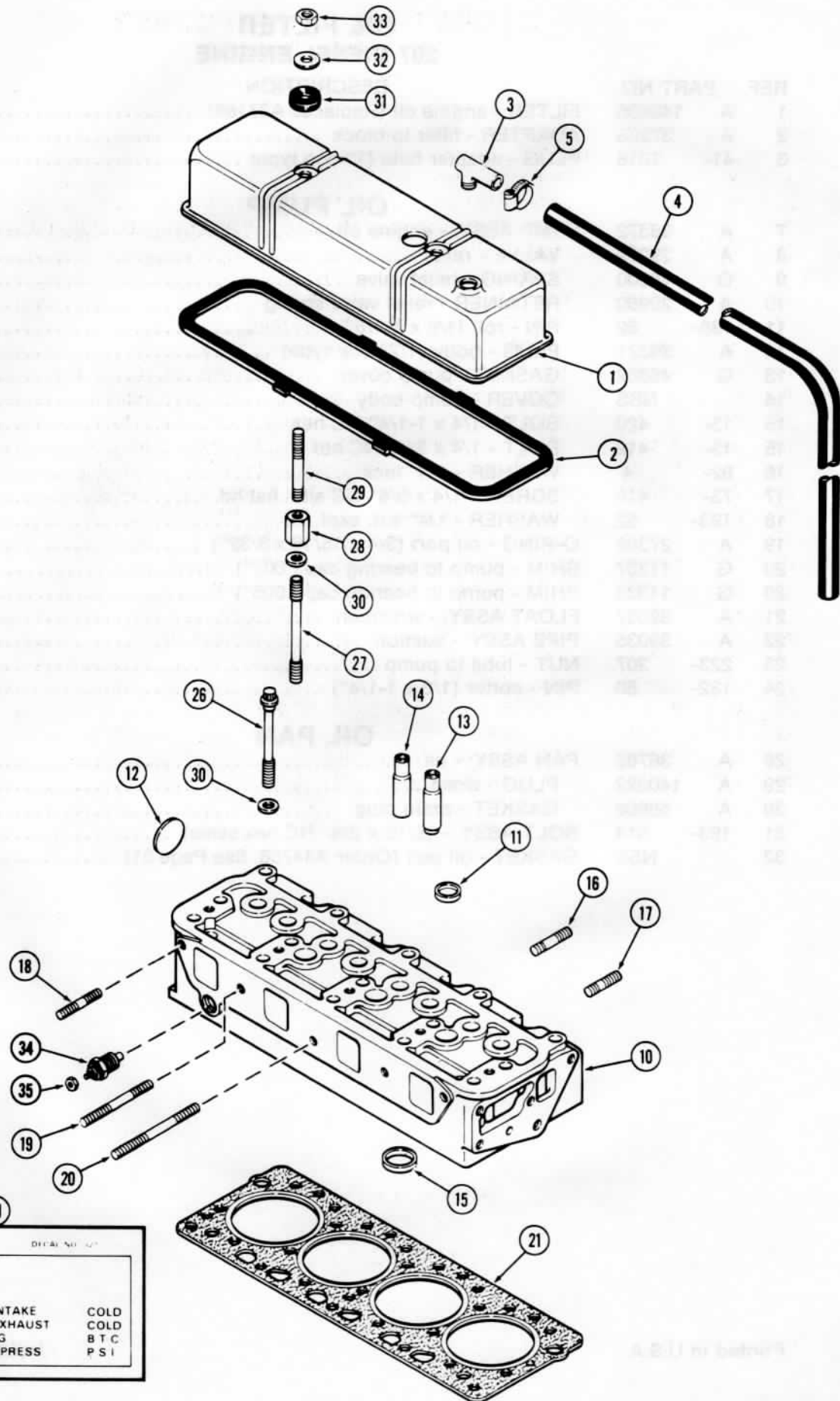
### OIL PUMP

7	A 38372	PUMP ASSY. - engine oil .....	1
8	A 29279	VALVE - relief .....	1
9	G 48500	SPRING - relief valve .....	1
10	A 29260	RETAINER - relief valve spring .....	1
11	138- 62	PIN - roll (1/8 x 1-1/8") .....	1
12	A 39321	PLUG - body (1/2" cup type) .....	1
13	G 46852	GASKET - pump cover .....	1
14	NSS	COVER - pump body .....	1
15	13- 420	BOLT - 1/4 x 1-1/4" NC hex .....	1
15	13- 412	BOLT - 1/4 x 3/4" NC hex .....	3
16	92- 4	WASHER - 1/4" lock .....	4
17	73- 410	SCREW - 1/4 x 5/8" NC sltd. flat hd. ....	2
18	193- 52	WASHER - 1/4" ext. skpf. ....	2
19	A 27365	O-RING - oil port (3/4 x 15/16 x 3/32") .....	1
20	G 11337	SHIM - pump to bearing cap (.002") .....	UAR
20	G 11338	SHIM - pump to bearing cap (.005") .....	UAR
21	A 39037	FLOAT ASSY. - w/screen .....	1
22	A 39035	PIPE ASSY. - suction .....	1
23	223- 207	NUT - tube to pump .....	1
24	132- 50	PIN - cotter (1/8 x 1-1/4") .....	1

### OIL PAN

28	A 36782	PAN ASSY. - oil .....	1
29	A 140222	PLUG - drain .....	1
30	A 58608	GASKET - drain plug .....	1
31	193- 514	BOLT ASSY. - (5/16 x 3/4" NC hex sems) .....	18
32	NSS	GASKET - oil pan (Order A44758, See Page 31) .....	1





ENGINE DATA		DEAL NO.
MODEL		
FULL LOAD R P M		
NOLOAD R P M		
VALVE TAPPET INTAKE	COLD	
CLEARANCE EXHAUST	COLD	
FUEL PUMP TIMING	B T C	
NOZZLE OPENING PRESS	P S I	