

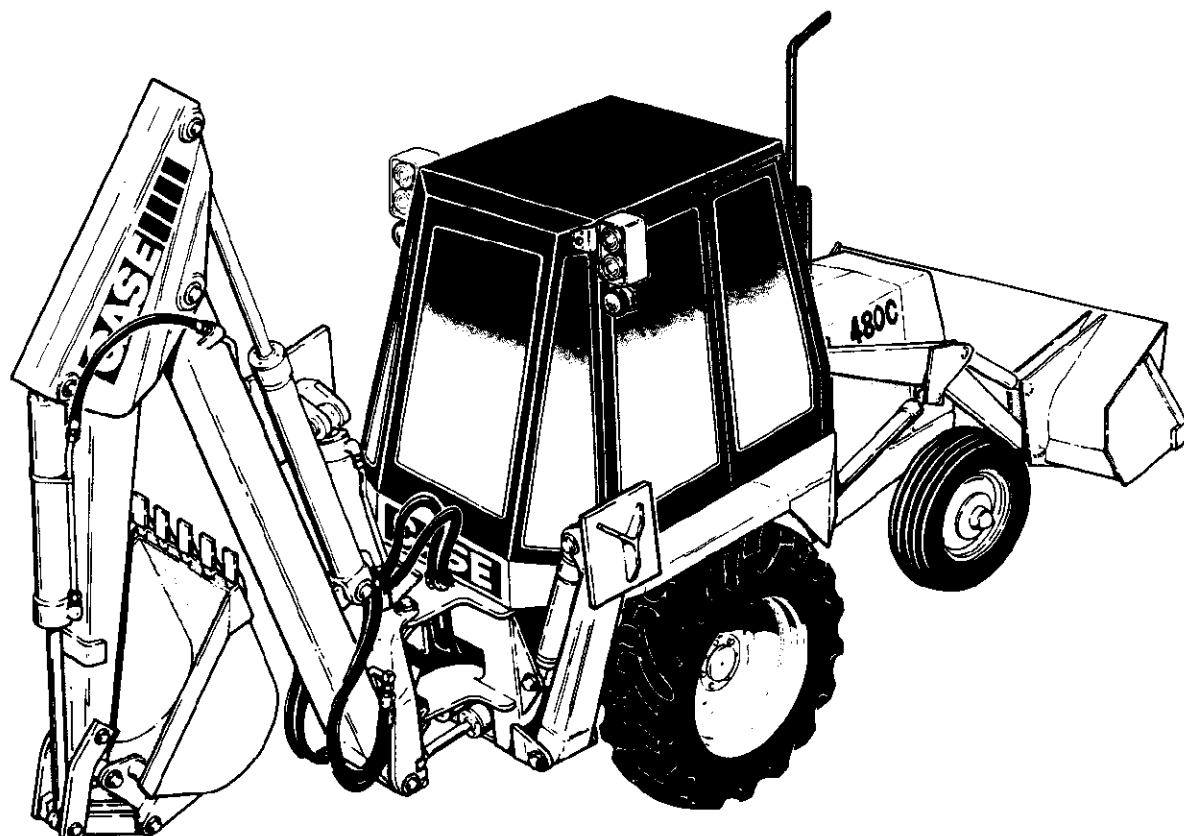
REVISION RECORD LOG

REVISION NO.	DATE INSERTED
1.	
2.	
3.	
4.	
5.	

**480C CONSTRUCTION KING
LOADER BACKHOE**

Parts Catalog C1295

Note: Discard parts catalog B1295



J I Case

A Tenneco Company



Issued March 1983

PRINTED IN U.S.A.

830186

001 REVISION RECORD LOG

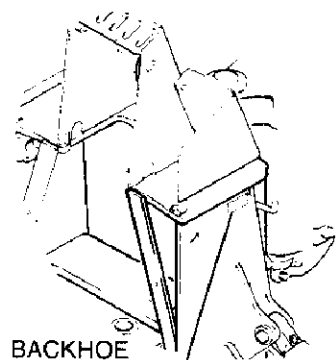
Ref	Part Number	Qty	Description

4

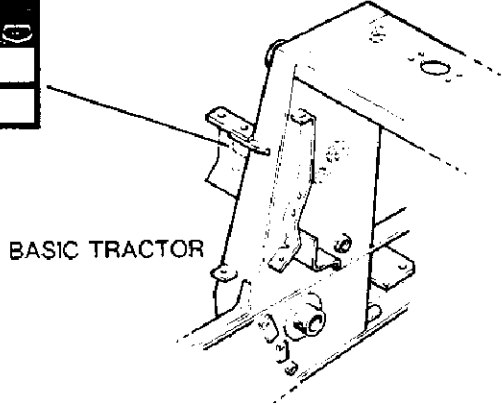
480C CONSTRUCTION KING LOADER BACKHOE SERIAL NUMBER LOCATIONS

Case J I Case
Model No.
Product
Manufacturer
Part No.

J I Case	FOR APPLICATION ON	480C & 580C
Part No. W-33404	USA	CONSTRUCTION KING Tractors
OSHA 1926 1001	MAXIMUM GRADE	16,000 lbs
	MAXIMUM WEIGHT	CA R745



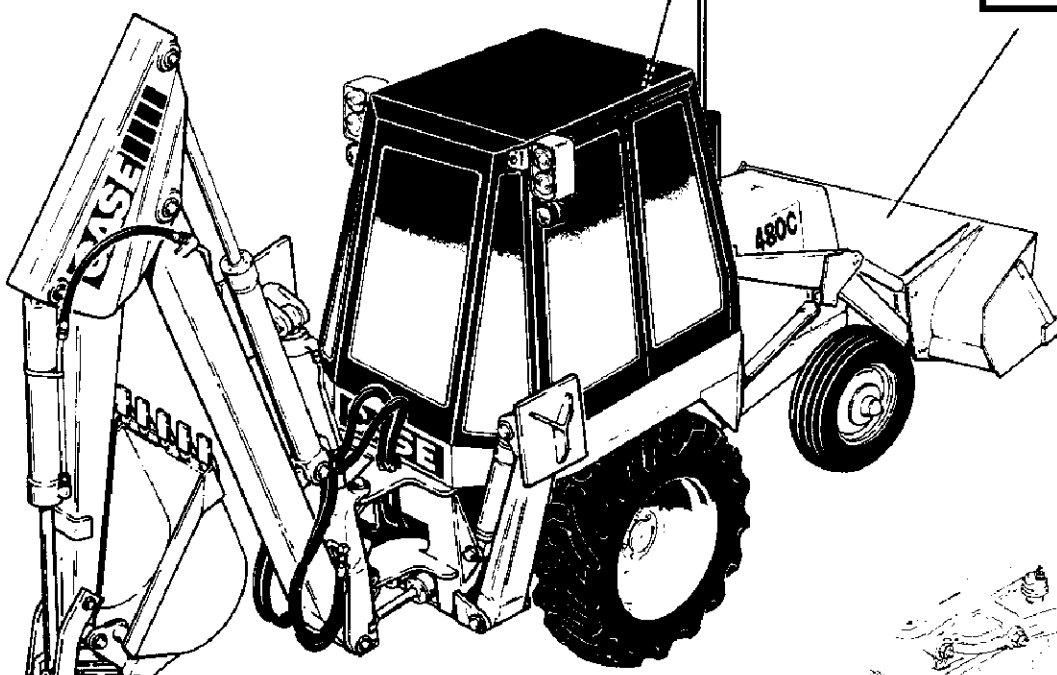
BACKHOE



BASIC TRACTOR

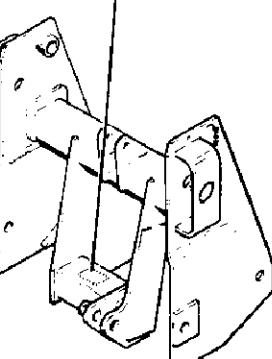
J I Case	Part No.

CAB OR CANOPY

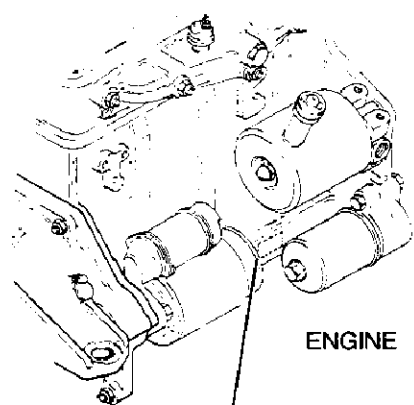
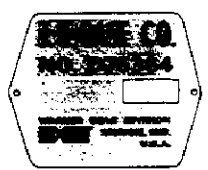


BUCKET

J I Case
Component / Attachment
Model / Name
Serial No.

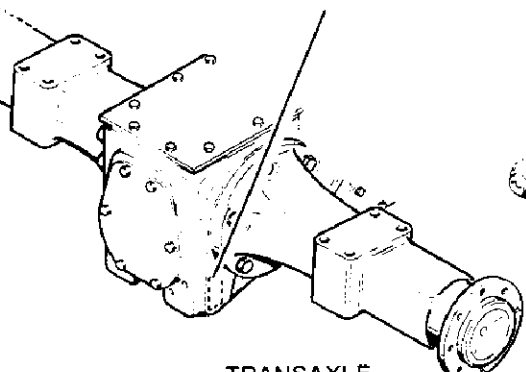


3 POINT HITCH

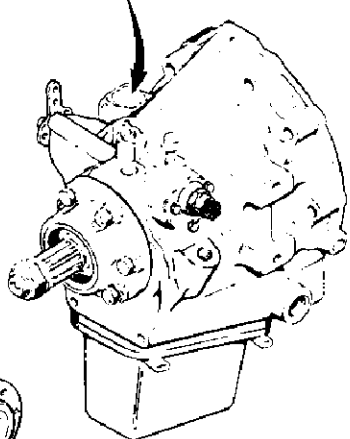


ENGINE

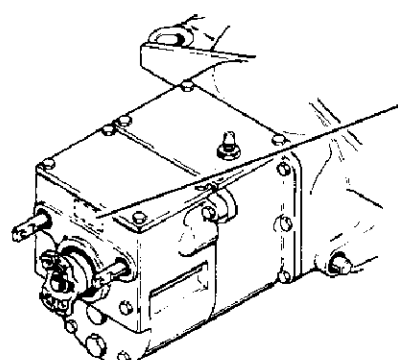
J I Case
Component / Attachment
Model / Name
Serial No.



TRANSAXLE



POWER SHUTTLE



MANUAL SHUTTLE

J I Case
Component / Attachment
Model / Name
Serial No.

480C CASE CONSTRUCTION KING LOADER BACKHOE

004 SERIAL NUMBER LOCATIONS

Ref	Part Number	Qty	Description

480C CASE CONSTRUCTION KING LOADER BACKHOE

010 RADIATOR, FAN AND MOUNTING PARTS

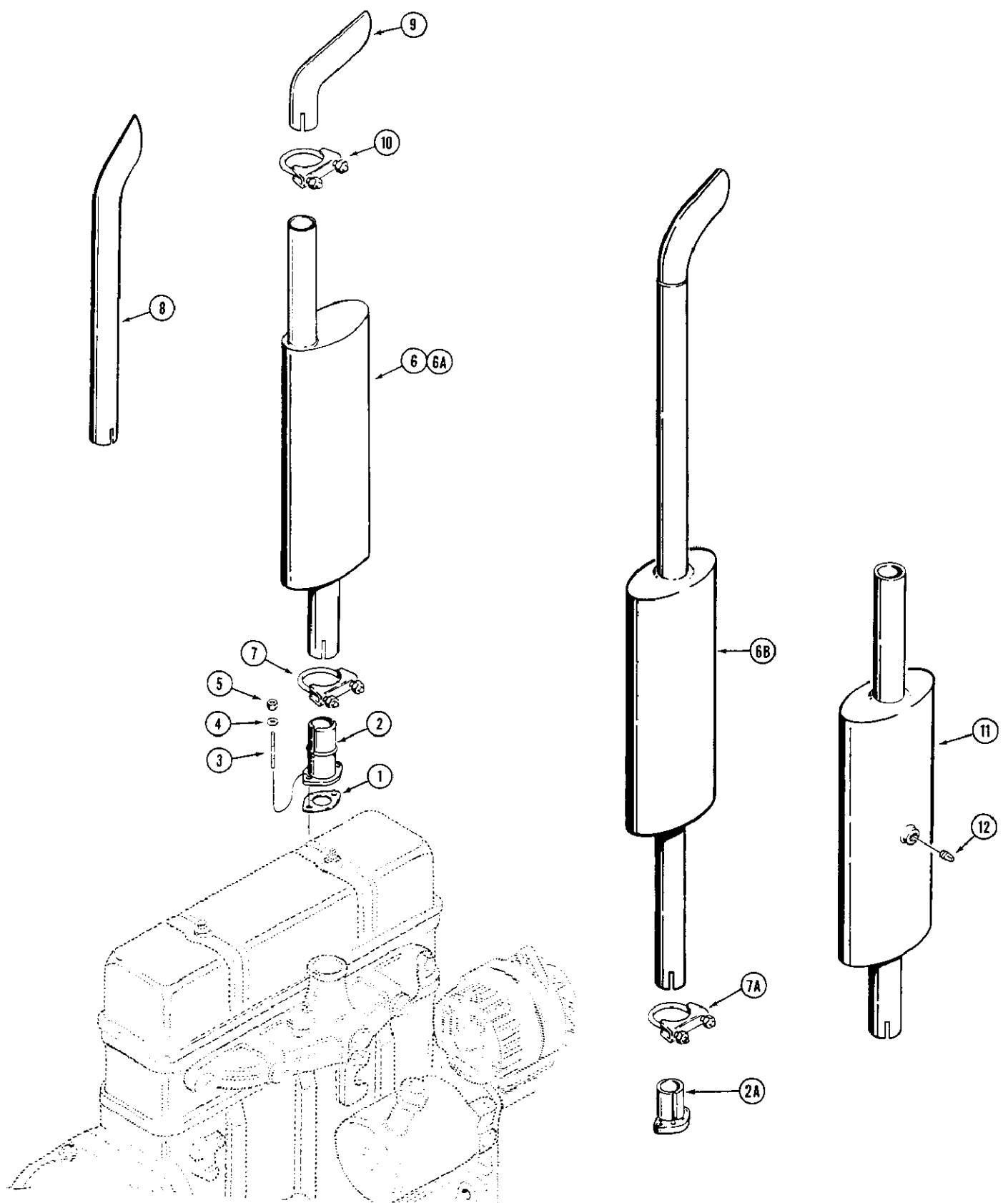
Ref	Part Number	Qty	Description
1	D89104	1	RADIATOR - engine cooling, interchangeable with D78067 radiator
2	A39359	1	CAP - radiator, black, dome type
2A	NSS	1	CAP - radiator, plain, if used, order A39359
3	D69037	1	GROMMET - radiator
4	D69157	1-2	BAFFLE - radiator, top, cut from D92228, base size is 8" (203 mm) x 3-11/16" (94 mm)
4A	D69166	1	BAFFLE - radiator, top, right-hand, used on models with air cleaner tube extending toward the front, cut from D92228, base size is 8" (203 mm) x 3-11/16" (94 mm)
5	D69158	1	BAFFLE - radiator, top center, cut from D92228, base size is 9" (229 mm) x 13/16" (20 mm)
6			RESERVED
7	D69068	2	BAFFLE - radiator, side, cut from D92228, base size 16-5/16" (414 mm) x 5" (127 mm)
8	D69066	2	BAFFLE - radiator, side, cut from D92228, base size is 3-13/16" (97 mm) x 5-13/16" (147 mm)
9	D73500	2	STRAP - radiator mounting, side
10	113-208	4	BOLT, Hex, 3/8"-16 x 1 1/4", G5, Full Thd
11	95-6	6	WASHER - flat, 3/8"
12	131-666	6	NUT - hex, self-locking, 3/8" - 16 NC, plated
13	D68976	2	BRACKET - radiator mounting
14	113-207	2	BOLT, Hex, 3/8"-16 x 1", G5, Full Thd
15	D68953	1	BAR - radiator mounting
16	92-6	2	3/8", if used
16A	95-6	1-3	WASHER - flat, 3/8", if used
17	129-103	2	NUT, 3/8"-16, G5, If used
17A	131-52	2	NUT - hex, self-locking, 3/8" - 16 NC, plated, if used
18	113-213	2	BOLT, Hex, 3/8"-16 x 2 1/4", G5
19	95-6	6	WASHER - flat, 3/8"
20	D52276	2	CUSHION - radiator mount, rubber
21	D52275	2	WASHER - flat, special
22	131-666	2	NUT - hex, self-locking, 3/8" - 16 NC, plated
23	217-103	1	VALVE - water drain
24	D68799	1	HOSE - radiator, upper
25	D122895	1	HOSE - radiator, lower
26	214-260	1	CLAMP - hose
27	D93696	1	FAN - suction, five blade, if used, not shown, interchangeable with D86230 fan
27A	D72215	1	FAN - pusher, six blade, if used
28	113-104	4	BOLT, Hex, 5/16"-18 x 1 1/4", G5, If used, Use 1-1/2" fan bolts when the fan has a double center plate, and 1-1/4" fan bolts when the fan has a single center plate.
28	113-122	4	BOLT, Hex, 5/16"-18 x 1 1/2", G5, If used, Use 1-1/2" fan bolts when the fan has a double center plate, and 1-1/4" fan bolts when the fan has a single center plate.
29	192-20	4	WASHER, LOCK, 5/16"
30	D93496	1	SPACER - fan
31	D82192	1	SUPPORT - lower radiator hose, if used
32	D92228	1	BAFFLE - bulk pad, 35-1/2" (900 mm) x 55-1/8" (1400 mm) x 1-1/2" (38 mm), not shown

480C CASE CONSTRUCTION KING LOADER BACKHOE

010 RADIATOR, FAN AND MOUNTING PARTS

Ref	Part Number	Qty	Description
33	345-44	1	ADHESIVE - spray can, for attaching foam pads to metal surface, not shown

12

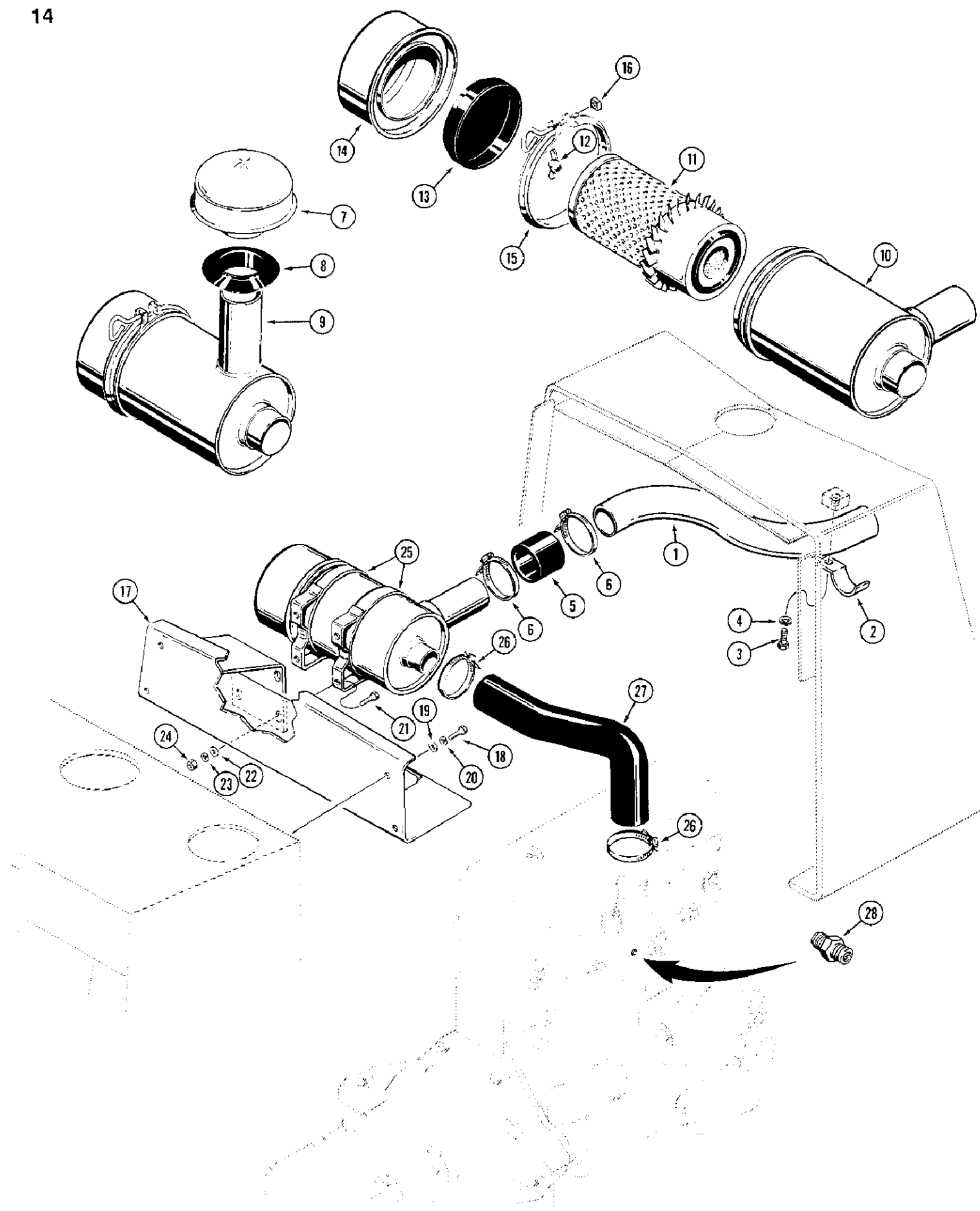


480C CASE CONSTRUCTION KING LOADER BACKHOE

012 MUFFLER AND EXHAUST SYSTEM

Ref	Part Number	Qty	Description
1	G46853	1	GASKET - manifold to exhaust pipe
2	D73198	1	EXHAUST PIPE - 2-1/2" (64 mm) diameter, if used
2A	D69366	1	EXHAUST PIPE - 1-7/8" (48 mm) diameter, if used
3	A59077	2	STUD - 3/8" - 16 NC x 1-15/16"
4	195-525	2	WASHER - flat, 3/8", plated
5	131-666	2	NUT - hex, self-locking, 3/8" - 16 NC, plated
6	A39561	1	MUFFLER - exhaust, vertical, inlet diameter 2-1/2" (64 mm), if used
6A	D55532	1	MUFFLER - increased noise control, inlet diameter 2-1/2" (64 mm), if used
6B	D69365	1	MUFFLER - increased noise control, inlet diameter 1-7/8" (48 mm), if used
7	A13240	1	CLAMP - muffler, used with Refs. 6, 6A and 11
7A	R11500	1	CLAMP - muffler, used with Ref. 6B
8	D70514	1	EXTENSION - muffler exhaust, if used
9	D53101	1	DEFLECTOR - muffler exhaust, if used
10	G45410	1	CLAMP - muffler extension or deflector
11	D120870	1	MUFFLER - spark arresting, inlet diameter 2-1/2" (64 mm), Includes: Ref. 12
12	217-76	1	PLUG - brass, square head, 1/4" NPT, spark arresting muffler

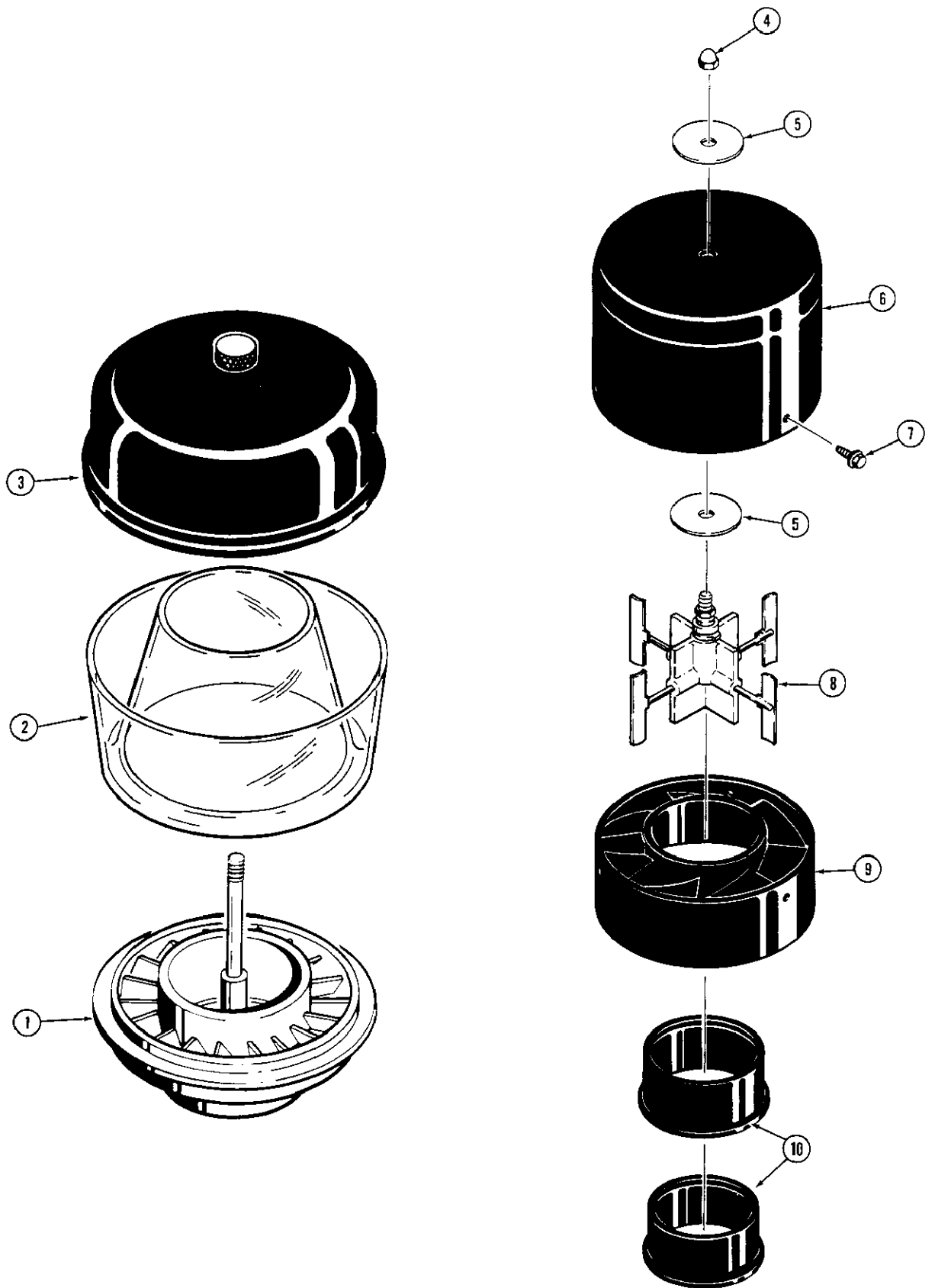
14



480C CASE CONSTRUCTION KING LOADER BACKHOE

014 AIR CLEANER AND AIR INTAKE PARTS

Ref	Part Number	Qty	Description
1	D69255	1	TUBE - horizontal air cleaner intake, if used, see Ref. 7
2	D66567	1	CLAMP - tube
3	113-433	1	BOLT, Hex, 1/2"-13 x 3/4", G5, Full Thd
4	92-8	1	1/2"
5	73149	1	HOSE - horizontal intake tube to air cleaner, 2-1/2" (64 mm) ID x 2-1/2" (64 mm) long, if used
6	214-261	2	CLAMP - hose
7	A61276	1	CAP - vertical air cleaner intake, if used, see Ref. 1 or Figure 17 for precleaner
8	D75362	1	GROMMET - air cleaner cap, if used
9	A139086	1	AIR CLEANER ASSEMBLY - engine, Includes: Ref. 10 - 16
10	NSS	1	HOUSING - air cleaner
11	A42274	1	ELEMENT - air cleaner
12	F91761	1	WING NUT - element
13	F22312	1	BAFFLE - rubber
14	F91760	1	DUST CUP - access, air cleaner
15	F84999	1	CLAMP ASSEMBLY - cup, Includes: Ref. 16
16	25-224	1	SQUARE NUT - 1/4" - 20 NC, can be used to replace cage nut
17	REF	1	BRACKET - air cleaner mounting, For correct air cleaner and hood mounting brackets, see Figure 456
18	113-208	2	BOLT, Hex, 3/8"-16 x 1 1/4", G5, Full Thd
19	195-525	2	WASHER - flat, 3/8", plated
20	92-6	2	3/8"
21	113-206	4	BOLT, Hex, 3/8"-16 x 3/4", G5, Full Thd
22	195-525	4	WASHER - flat, 3/8", plated
23	92-6	4	3/8"
24	129-103	4	NUT, 3/8"-16, G5
25	L11247	2	BAND - air cleaner mounting
26	214-261	2	CLAMP - hose
27	D68377	1	HOSE - air cleaner to manifold
28	D36264	1	FILTER - safety, air restriction

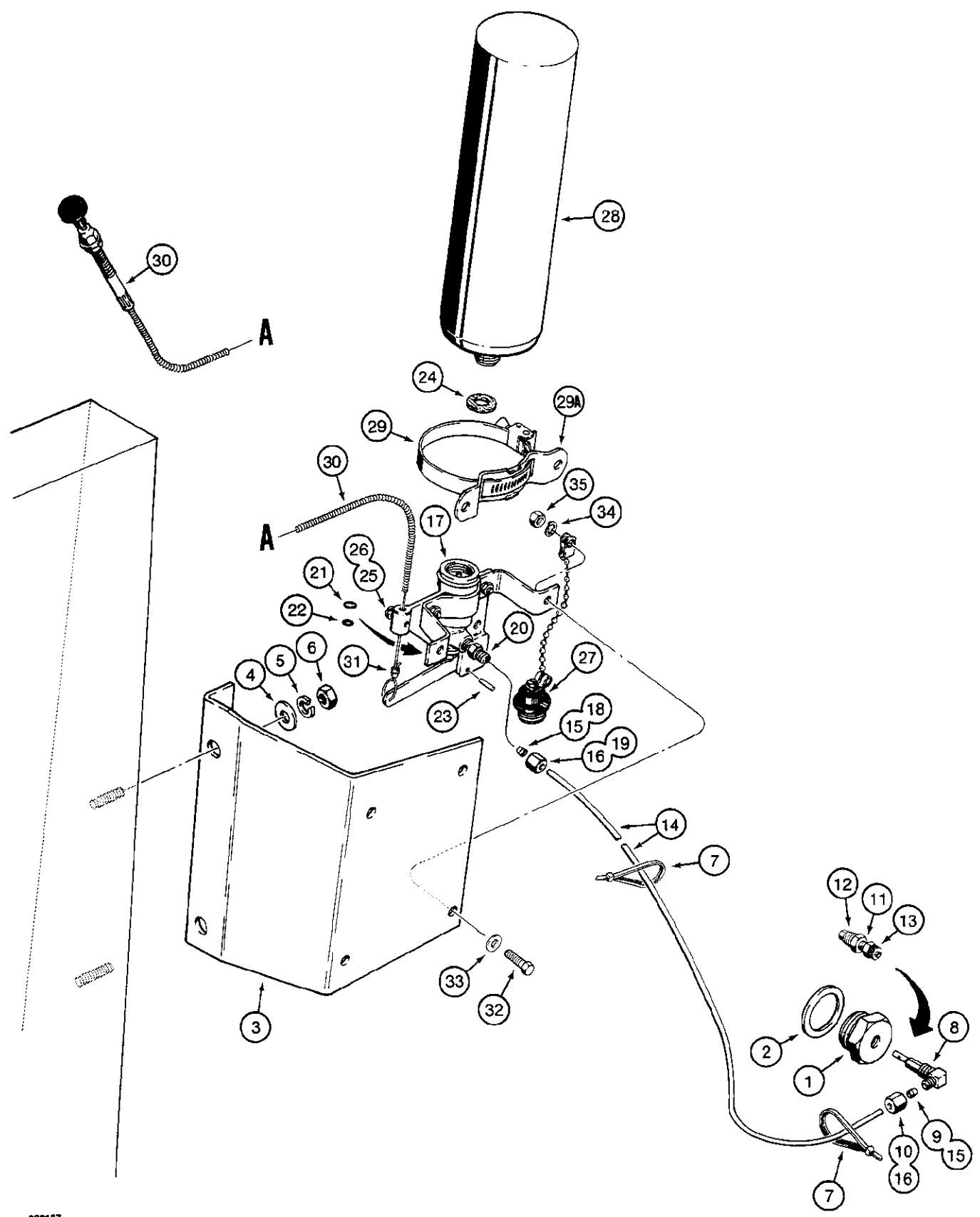


480C CASE CONSTRUCTION KING LOADER BACKHOE

016 PRE-CLEANERS

Ref	Part Number	Qty	Description
	A64589	1	PRECLEANER - Donaldson manufactured, if used, Includes: Ref. 1 - 3
1	NSS	1	BODY - precleaner
2	73186	1	BOWL - precleaner
3	73187	1	COVER - precleaner
	D82128	1	PRECLEANER - Sureco, if used, Includes: Ref. 4 - 10
4	129-888	1	DOME NUT - 1/4" - 28 NF
5	195-2016	2	WASHER - flat, 1/4"
6	NSS	1	COVER - precleaner
7	187-1095	3	SCREW - self-tapping, No. 8 x 1/2"
8	N6640	1	ROTOR - precleaner
9	NSS	1	BODY - precleaner
10	N6641	1	ADAPTER - precleaner to air cleaner

18



830187

Cold Start Kits can be ordered as machinery items from the Machinery Price List, see page 2 for ordering. Items 1 thru 7 and 11 are not included in kits.

480C CASE CONSTRUCTION KING LOADER BACKHOE

018 COLD START SYSTEM

Ref	Part Number	Qty	Description
1	L10283	1	PLUG - manifold, used with Ref. 8
1	D79761	1	PLUG - manifold, used with Ref. 11
2	A20916	1	WASHER - special
3	D70731	1	BRACKET - cold start
4	195-521	2	WASHER - flat, 5/16", plated
5	192-20	2	WASHER, LOCK, 5/16"
6	9635082	2	NUT, 5/16"-18, G5
7	L18337	2	STRAP - tie, 15 inch, nylon
	D55946	1	INJECTOR ASSEMBLY - cold start, 90 degree, used with L10283 manifold plug only, Includes: Ref. 8 - 10
8	NSS	1	INJECTOR - D55946 assembly, 90 degree
9	222-650	1	SLEEVE, 1/8" Tube, Comp, Brass
10	222-660	1	NUT - compression, 1/8", brass
11	D81319	1	INJECTOR ASSEMBLY - cold start, straight, used with D79761 manifold plug only, Includes: Ref. 12 and 13
12	NSS	1	BODY - injector
13	NSS	1	NUT AND SLEEVE - one piece, service with 222-660 nut and 222-650 sleeve
	D55947	1	TUBE ASSEMBLY - valve to injector, Includes: Ref. 14 - 16
14	NSS	1	TUBE - 60" (1524 mm) long, cut to 48" (1219 mm)
15	222-650	2	SLEEVE, 1/8" Tube, Comp, Brass
16	222-660	2	NUT - compression, 1/8", brass
	D88743	1	VALVE ASSEMBLY - starting fluid injection, replaces valve with elbow fitting, Includes: Ref. 17 - 27
17	NSS	1	VALVE - actuator, Includes: Ref. 18 and 19
18	222-650	1	SLEEVE, 1/8" Tube, Comp, Brass
19	222-660	1	NUT - compression, 1/8", brass
20	NSS	1	ADAPTER - straight
	D55951	1	KIT - service, valve seal, Includes: Ref. 21 - 24
21	A51274	1	O-RING - internal plunger, upper
22	A27880	1	O-RING - internal plunger, lower
23	135-313	1	Pin, Grooved, 3/32" x 1/2", drive
24	D74422	1	SEAL - cylinder to valve cork
25	182-528	1	SCREW - pan heat, slotted, NO. 10 - 24 NC x 1/2", plated
26	92-3	1	WASHER, LOCK, #10
27	N8826	1	PLUG - valve, with chain
28	D55767	1	CYLINDER - starting fluid, ether
29	214-264	1	CLAMP - cylinder
29A	L32579	1	BRACKET - clamp
30	D88740	1	CABLE - cold start control, 54" (1371.6 mm) long
31	222-650	1	SLEEVE, 1/8" Tube, Comp, Brass, Control cable to valve lever
32	113-3	4	BOLT, Hex, 1/4"-20 x 3/4", G5, Full Thd
33	195-102	4	WASHER - flat, 1/4", plated

Cold Start Kits can be ordered as machinery items from the Machinery Price List, see page 2 for ordering. Items 1 thru 7 and 11 are not included in kits.

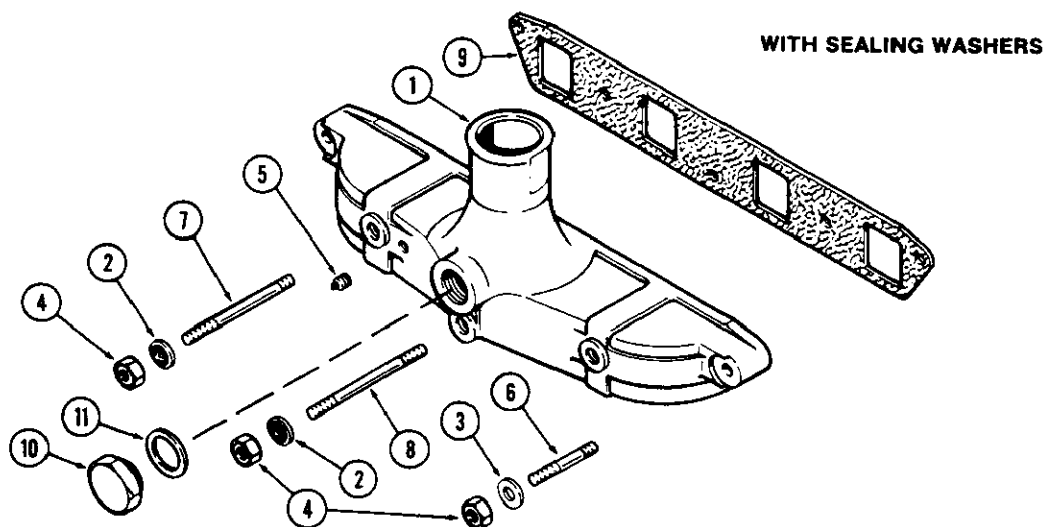
480C CASE CONSTRUCTION KING LOADER BACKHOE

018 COLD START SYSTEM

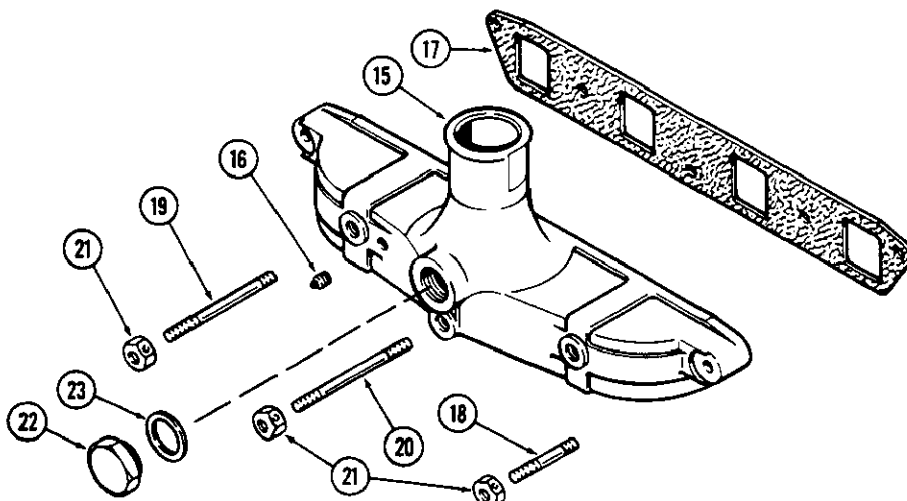
Ref	Part Number	Qty	Description
34	192-19	4	WASHER, LOCK, 1/4"
35	7770	4	NUT, 1/4"-20, G5

Cold Start Kits can be ordered as machinery items from the Machinery Price List, see page 2 for ordering. Items 1 thru 7 and 11 are not included in kits.

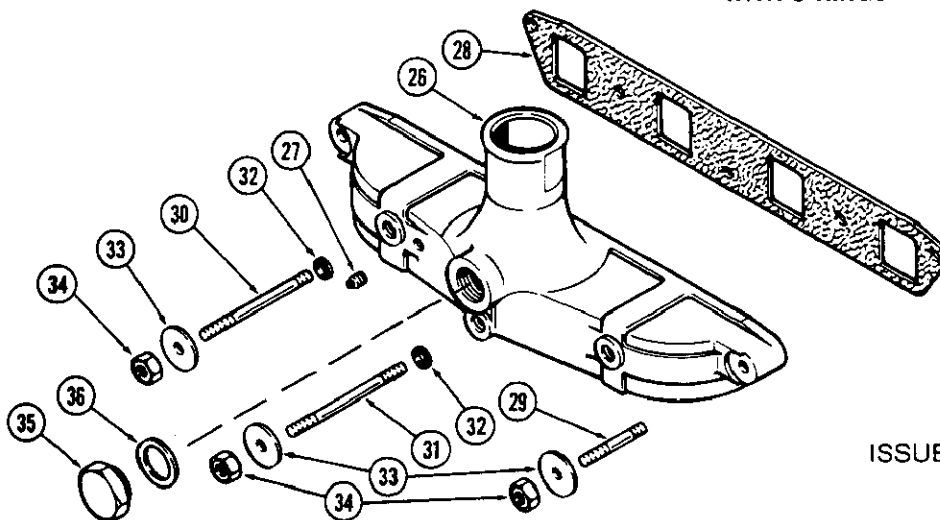
20



WITH LOCKING NUTS



WITH O-RINGS

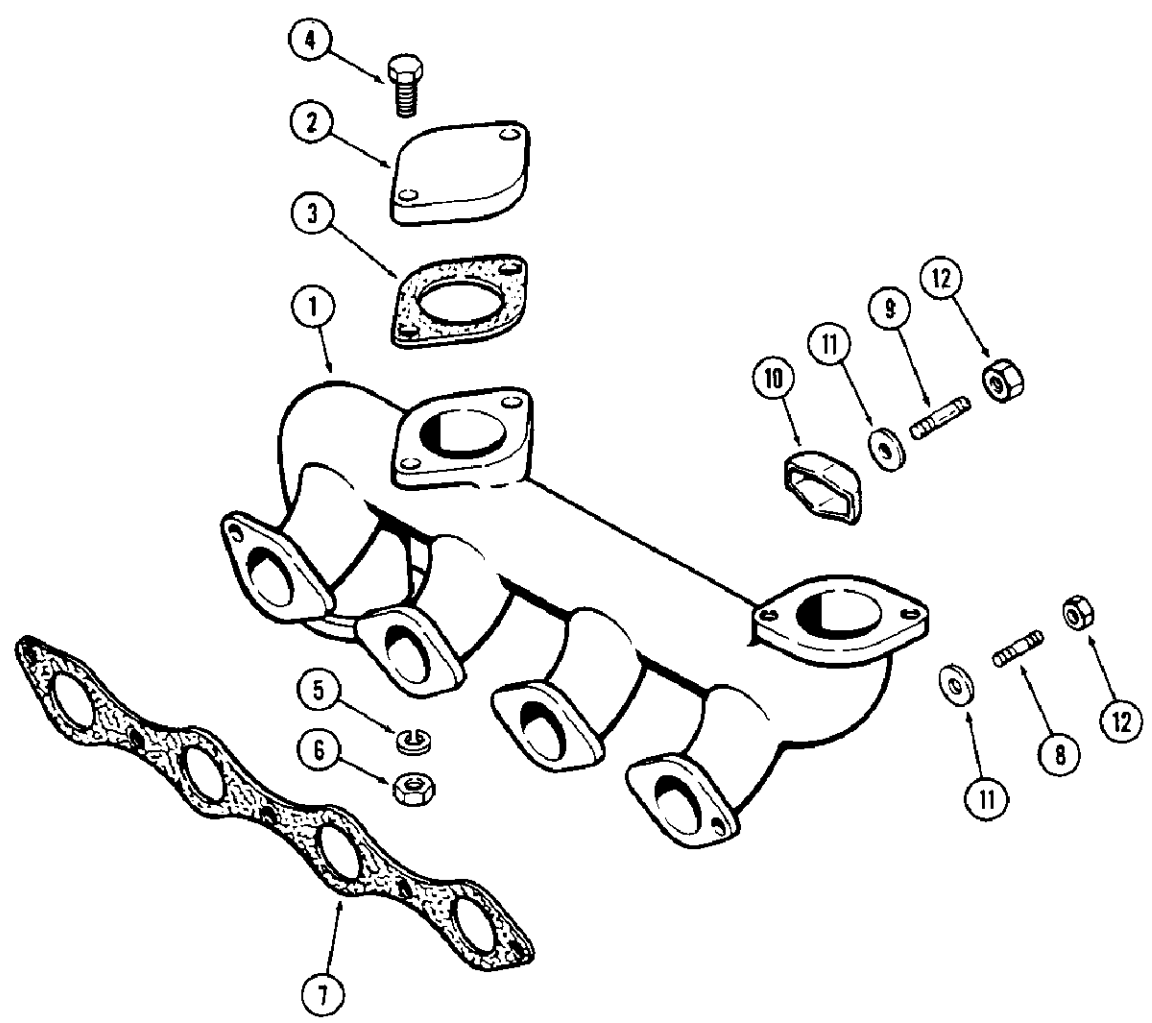


ISSUED AUGUST, 1981

480C CASE CONSTRUCTION KING LOADER BACKHOE

020 INTAKE MAINFIELD, 188 DIESEL ENGINE, WITH SEALING WASHERS

Ref	Part Number	Qty	Description
1	A152536	1	MANIFOLD ASSEMBLY - intake, Includes: Ref. 2 - 5
2	A50694	3	WASHER - sealing, with rubber insert (For intermediate and center stud holes)
3	195-25	2	WASHER - 3/8 x 13/16 x 1/16" (For end stud holes)
4	25-166	5	NUT - 3/8" NC hex
5	221-1011	1	PLUG - 1/8" PT, square head
6	A140924	2	STUD - manifold end holes, 3/8" NC x 2-7/16"
7	A153248	2	STUD - manifold intermediate holes, 3/8" NC x 4-13/16"
8	A51500	1	STUD - manifold center hole , 3/8" NC x 5-5/16"
9	G46871	1	GASKET - manifold to head
10	A20917	1	PLUG - manifold (Heater hole)
11	A20916	1	GASKET - plug
15	A148898	1	MANIFOLD - intake (Order A152536), with locking units
16	221-1011	1	PLUG - 1/8" PT, square head, with locking units
17	G46871	1	GASKET - manifold to head, with locking units
18	A140924	2	STUD - manifold end holes, 3/8" NC x 2-7/16", with locking units
19	A153248	2	STUD - manifold intermediate holes, 3/8" NC x 4-5/16", with locking units
20	A51500	1	STUD - manifold center hole, 3/8" NC x 5-5/16", with locking units
21	131-206	5	NUT - lock, 3/8" NC with nylon insert, with locking units
22	A20917	1	PLUG - manifold (Heater hole), with locking units
23	A20916	1	GASKET - plug, with locking units
26	A51876	1	MANIFOLD ASSEMBLY - intake (Order A152536), with o-rings, Includes: Ref. 27
27	221-1011	1	PLUG - 1/8" PT, square head, with o-rings
28	G46871	1	GASKET - manifold to head, with o-rings
29	A140924	2	STUD - manifold end holes, 3/8" NC x 2-7/16", with o-rings
30	A153248	2	STUD - manifold intermediate holes, 3/8" NC x 4-5/16", with o-rings
31	A51500	1	STUD - manifold center hole, 3/8" NC x 5-5/16", with o-rings
32	A27891	3	O-RING - center and intermediate studs, 3/8 x 9/16 x 3/32" (9.53 x 14.29 x 2.38 mm), with o-rings
33	D41740	5	WASHER - 3/8 x 1 x 1/8" (9.53 x 25.4 x 3.18 mm), with o-rings
34	D41740	5	NUT - 3/8" NC hex
35	A20917	1	PLUG - manifold (Heater hole)
36	A20916	1	GASKET - plug



Ref	Part Number	Qty	Description
1	A39233	1	MANIFOLD ASSEMBLY - exhaust, Includes: Ref. 2 - 6
2	A38188	2	PLATE - cover
3	G46853	2	GASKET - cover plate
4	13-620	4	BOLT, Hex, 3/8"-16 x 1 1/4", G5, Full Thd, Cover plate
5	92-6	4	3/8"
6	131-903	4	NUT - 3/8" NC Seez-pruf
7	G46872	1	GASKET - exhaust manifold
8	A29431	3	STUD - manifold ends, 3/8" NC x 1-3/4"
9	A39129	3	STUD - manifold clamps, 3/8" NC x 2-1/16"
10	A35028	3	CLAMP - manifold
11	195-25	5	WASHER - 3/8 x 13/16 x 1/16"
12	131-903	5	NUT - 3/8" NC Seez-pruf