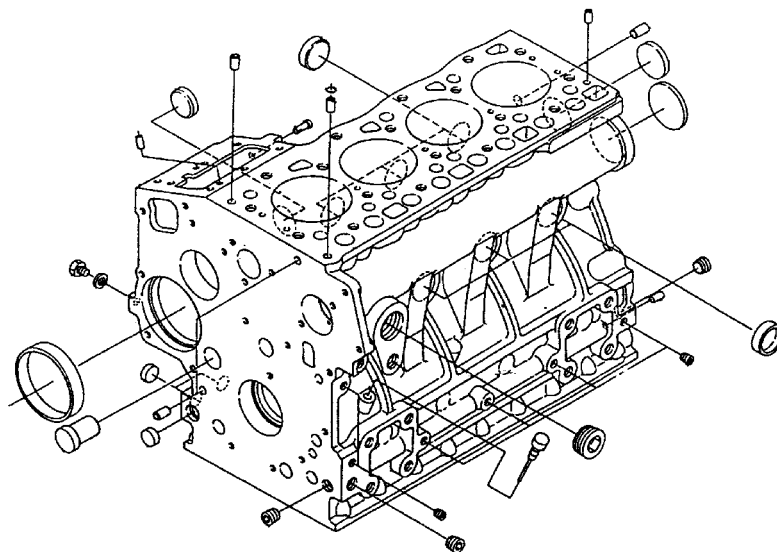


Carrier
Transicold

Diesel
Engine

CT4-91-TV
(V1505)



Service
Parts List



TRANSICOLD

Service Parts List

DIESEL ENGINE

CT4-91-TV (V1505)

CONTENTS

INTRODUCTION	1
REPLACEMENT ENGINE PART NO.	1
ORDERING INSTRUCTIONS	1
GENERAL NOTES	1
1. CYLINDER CRANKCASE	2
2. OIL PAN	3
3. GEAR CASE	4
4. CYLINDER HEAD COVER	6
5. CYLINDER HEAD	7
6. IDLING	8
7. SPEED CONTROL	9
8. BEARING CASE	10
9. CAMSHAFT	11
10. VALVES AND ROCKER ARM	12
11. FUEL CAMSHAFT	13
12. FLYWHEEL AND HOUSING	14
13. INJECTION PUMP	15
14. INJECTION PUMP (COMPONENT PARTS)	16
15. GLOW PLUGS AND INJECTORS	18
16. WATER PUMP AND IDLER PULLEY	19
17. THERMOSTAT	20
18. GOVERNOR	21
19. CRANKSHAFT AND PISTONS	22
20. MANIFOLD	24
21. STARTER	25
22. IDLER	26
23. STOP SOLENOID	27
24. INJECTOR ASSEMBLY	27
25. FUEL PUMP	28
26. FUEL PUMP (COMPONENT PARTS)	29
27. GASKET SET	30

Carrier Refrigeration Operations, A member of the United Technologies Corporation family. Stock symbol UTX.
Carrier Transicold, Carrier Corporation, P.O. Box 4805, Syracuse, N.Y. 13221 U. S. A.

© Carrier Corporation 2001 • Printed in U. S. A. 0101



Carrier

A United Technologies Company

CT4-91

INTRODUCTION

This parts list identifies service replacement parts for the Carrier Transicold CT4-91-TV vertical in-line, 4-cylinder diesel engines manufactured exclusively for Carrier Transicold transport refrigeration by Kubota.

REPLACEMENT ENGINE PART NO.

MODEL	PART NO.	DESCRIPTION
CT4-91-TV (V1505)	26-00103-02	NEW ENGINE

ORDERING INSTRUCTIONS

All orders and inquiries for parts must include: Unit Serial Number, part no., description of part and quantity required. Address all correspondence for parts to the following address:

CARRIER TRANSICOLD DIVISION
Replacement Components Group, TR-20
P.O. Box 4805, Syracuse, NY 13221.
or
Fax to: (315) 432-3778

GENERAL NOTES

To find replacement parts, determine major group in which replacement part is located, consult table of contents, and turn to the appropriate page for the illustrated breakdown of replacement parts. The following letter designations are used to classify parts throughout this list:

- | | | | |
|-----|---|-----|---|
| NS | <i>Not Shown</i> in the illustration. | NSS | <i>Not Sold Separately</i> - order next higher assembly or kit. |
| NSA | <i>Non-Stock Assembly</i> - order components listed under the assembly. | PL | <i>Purchase Locally.</i> |