

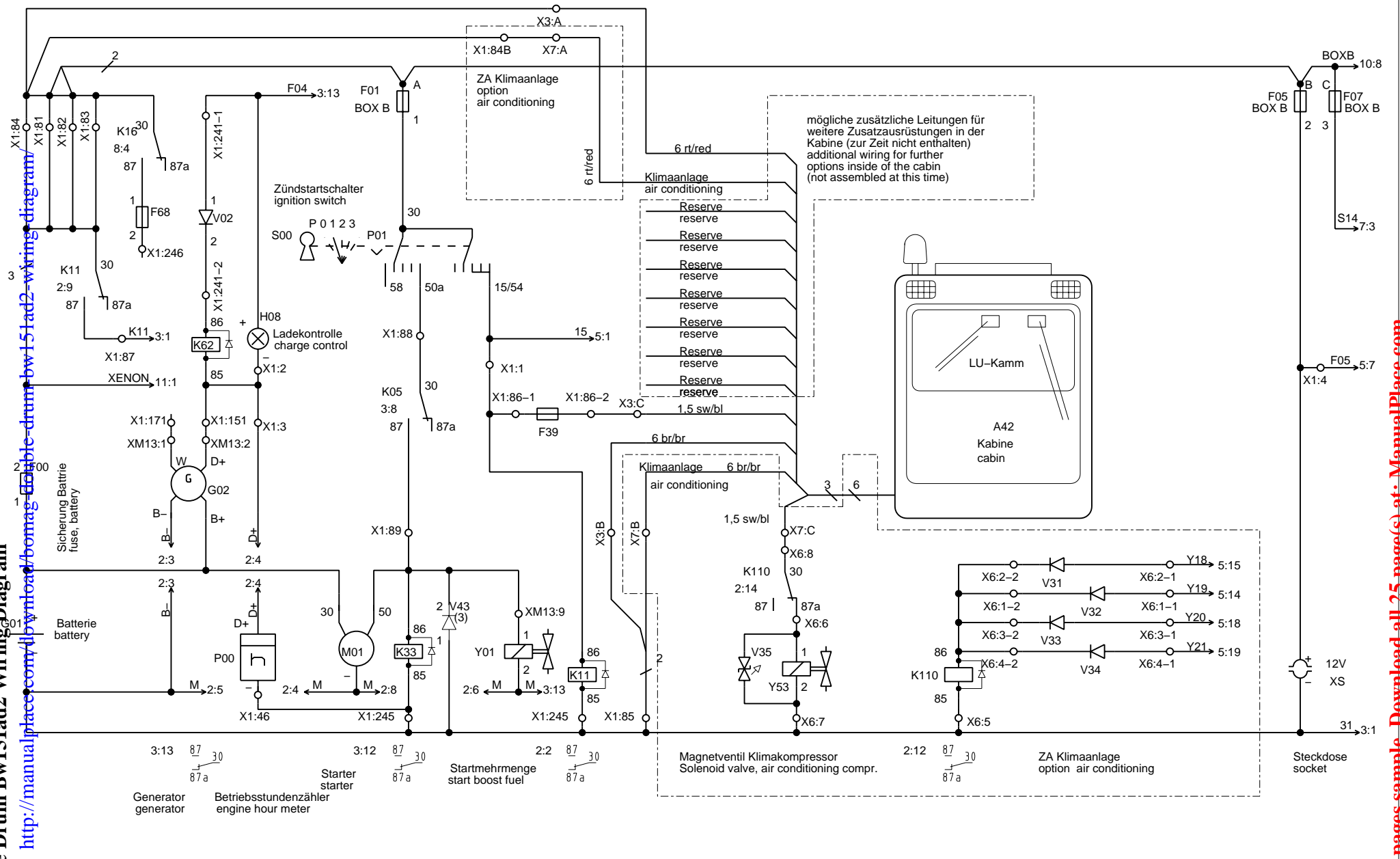
| | | | |
|--|-----------------------------|--|----------------------------|
| Standardverkabelung: standard wiring: | dicke Linien thick lines | Platinenverdrahtung: connection on printed circuit board: | dünne Linien thin lines |
|--|-----------------------------|--|----------------------------|

Inhaltsverzeichnis: BW 141AD-2, BW 151AD/ADH/AC-2, BW 144 AD-2 AM, BW 154AD-2 AM, C760C
 table of contents: BW 141AD-2, BW 151AD/ADH/AC-2, BW 144 AD-2 AM, BW 154AD-2 AM, C760C

| Blatt Nr.: sheet no.: | Zeichnungsnummer drawing - no. | Funktionsgruppe | function unit |
|--------------------------|-----------------------------------|--|---|
| 001 | 841 301 25 | Stromlaufplan | Circuit Diagram |
| 002 | 841 301 25 | Versorgung, Starten, Kabine, Steckdose, Betriebsstundenz. | supply, starting unit, cabin, socket, engine hour meter |
| 003 | 841 301 25 | Bremse, Überwachung, Anzeigen, Signalhorn, Rückfahrwarn. | brake, monitoring, indicators, warning horn, warning equipment |
| 004 | 841 301 25 | Vibration, Temperatur Asphalt | vibration, temperature asphalt |
| 005 | 841 301 25 | Berieselung, Hundegang, Kantenschneidgerät | sprinkler system, crab walk, edge cutter |
| 006 | 841 301 25 | Omegameter, Speed Control | omega meter, speed control |
| 007 | 841 301 25 | Tachograph, Splittstreuer | tachograph, chip spreader |
| 008 | 841 301 25 | Blinkbegrenzung, Bremsleuchten, Arbeitsbeleuchtung (StVZO) | flash and position illumination, brake light, working light (StVZO) |
| 009 | 841 301 25 | Variomatic, Bandage ungeteilt, BW141/151-2 | variomatic, roller drum, united, BW141/151-2 |
| 010 | 841 301 25 | Asphalt Manager | asphalt manager |
| 011 | 841 301 25 | XENON-Arbeitscheinwerfer | XENON worklamp |
| 012 | 841 301 25 | Elektrokasten | cross-bonding box |
| 013 | 841 301 25 | Elektrokasten | cross-bonding box |
| 014 | 841 301 25 | Elektrokasten | cross-bonding box |
| 015 | 841 301 25 | Elektrokasten | cross-bonding box |
| 101 | 841 301 25 | Bauteilliste | component listing |

Bomag Double Drum Bw151ad2 Wiring Diagram
 Full download: <http://manualplace.com/download/bomag-double-drum-bw151ad2-wiring-diagram/>

This is the cut pages sample. Download all 25 page(s) at: ManualPlace.com



| | | | | | | | | | | | | | | | | | | |
|-------------------|---|---|---|---|---|---|---|----|----|----|----|----|----|----|----|------------|------------|----|
| 2 | 3 | 4 | 5 | 6 | 7 | 8 | 9 | 10 | 11 | 12 | 13 | 14 | 15 | 16 | 17 | 18 | 19 | 20 |
| Gez.: 10.06.2002 | | | | | | | | | | | | | | | | Seite: 1 | von: 1 | |
| Name: Kneip | | Versorgung, Starten, Kabine, Steckdose, Betriebsstundenzähler | | | | | | | | | | | | | | page: 1 | from: 1 | |
| Gepr.: 10.06.2002 | | supply, starting unit, cabin, socket, engine hour meter | | | | | | | | | | | | | | 841 301 25 | | |
| Name: Nallin | | | | | | | | | | | | | | | | Ers.f.: | Blatt Nr.: | |
| | | | | | | | | | | | | | | | | Replaces: | sheet no.: | |
| | | | | | | | | | | | | | | | | | 002 | |