

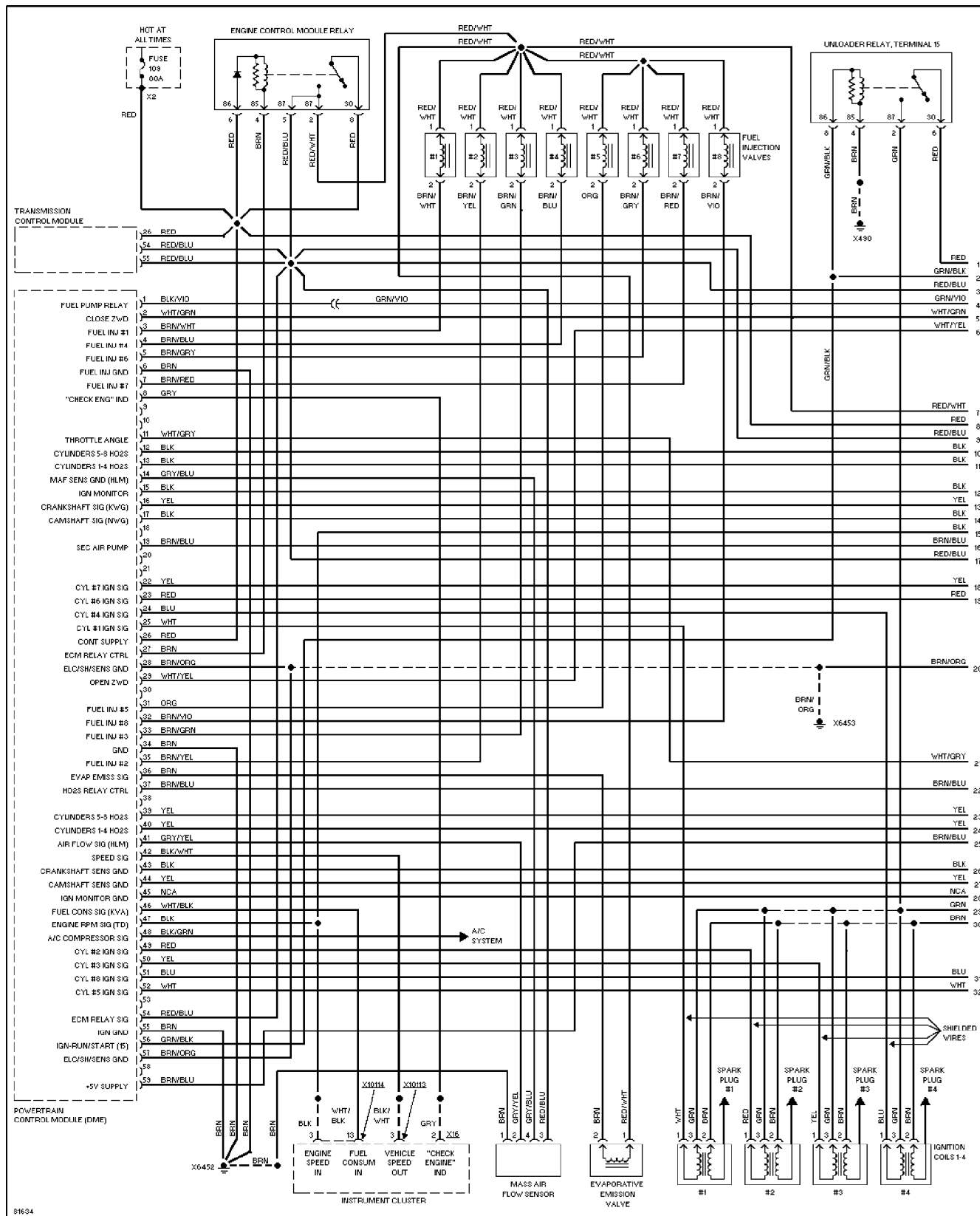
SYSTEM WIRING DIAGRAMS 4.0L, Engine Performance Circuits (1 of 3)

1995 BMW 740iL

More tips, tricks and infos here / Mehr Tipps, Tricks and Infos hier: <http://BMW.TheTwinS74.de>

Copyright © 1998 Mitchell Repair Information Company, LLC

Thursday, November 23, 2000 12:32PM



SYSTEM WIRING DIAGRAMS

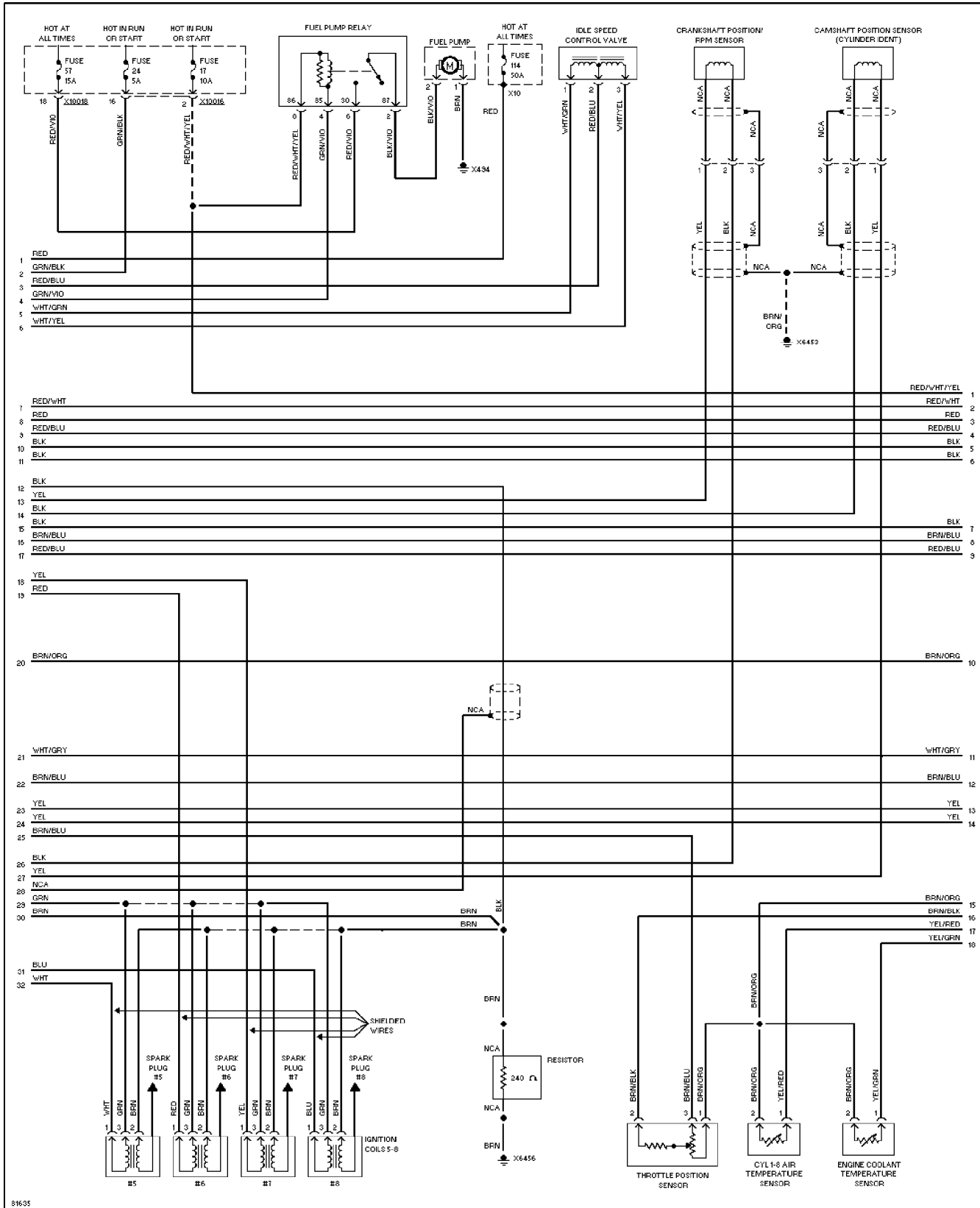
4.0L, Engine Performance Circuits (2 of 3)

1995 BMW 740iL

For DIAKOM-AUTO <http://www.diakom.ru> Taganrog support@diakom.ru (8634)315187

Copyright © 1998 Mitchell Repair Information Company, LLC

Thursday, November 23, 2000 12:32PM



SYSTEM WIRING DIAGRAMS

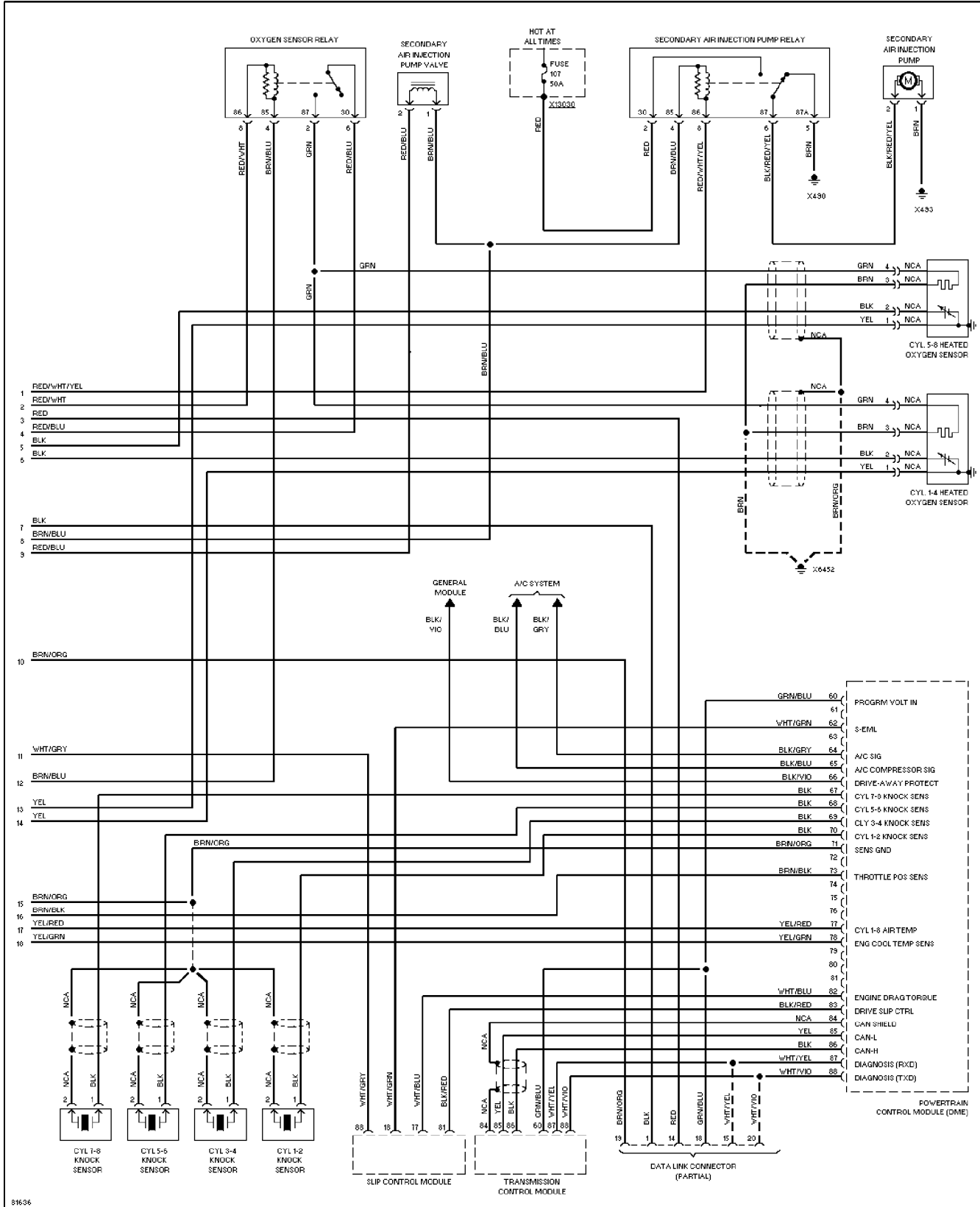
4.0L, Engine Performance Circuits (3 of 3)

1995 BMW 740iL

For DIAKOM-AUTO <http://www.diakom.ru> Taganrog support@diakom.ru (8634)315187

Copyright © 1998 Mitchell Repair Information Company, LLC

Thursday, November 23, 2000 12:32PM

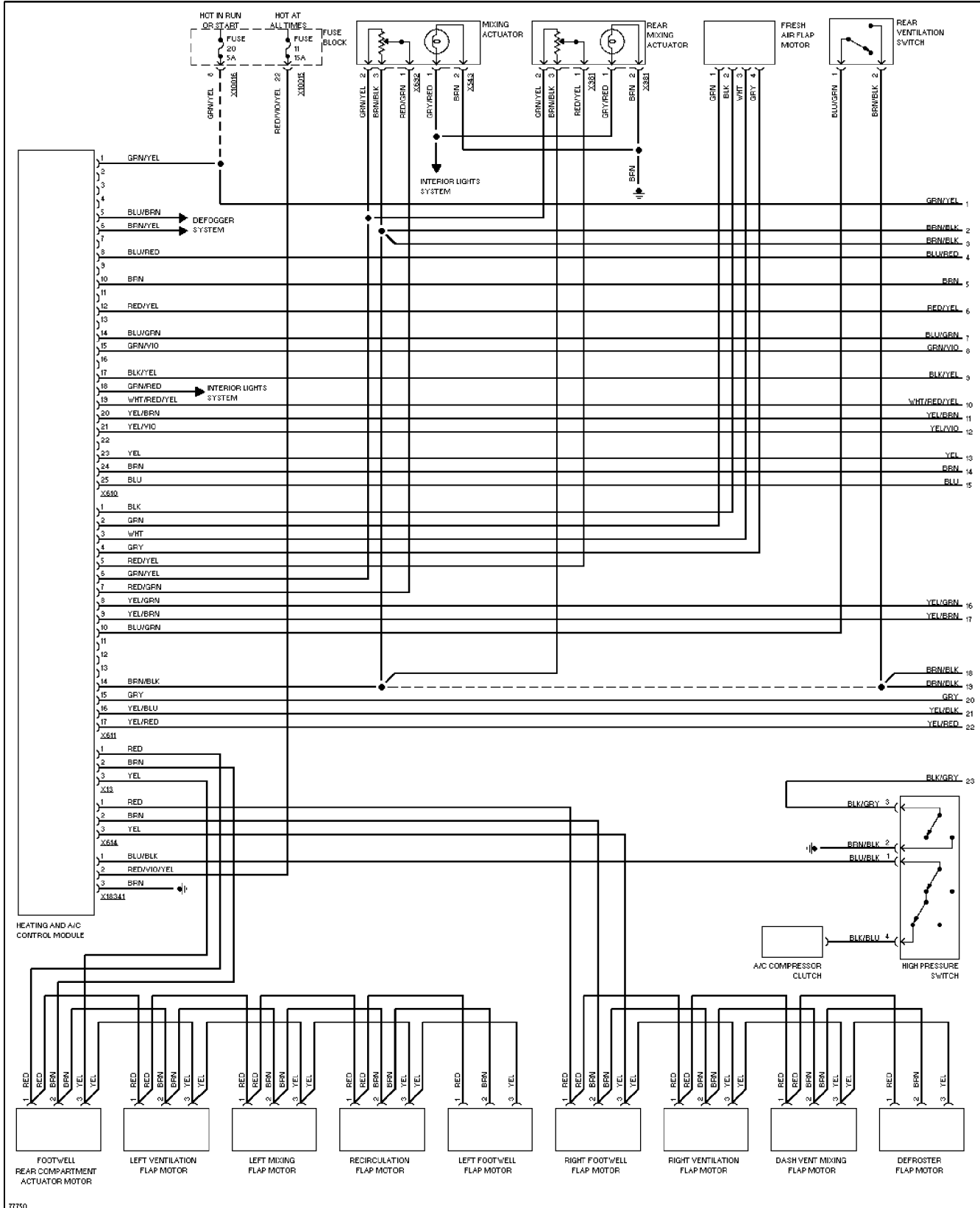


SYSTEM WIRING DIAGRAMS

Air Conditioning Circuits (1 of 2)

1995 BMW 740iL

For DIAKOM-AUTO <http://www.diakom.ru> Taganrog support@diakom.ru (8634)315187
 Copyright © 1998 Mitchell Repair Information Company, LLC
 Thursday, November 23, 2000 12:30PM



SYSTEM WIRING DIAGRAMS

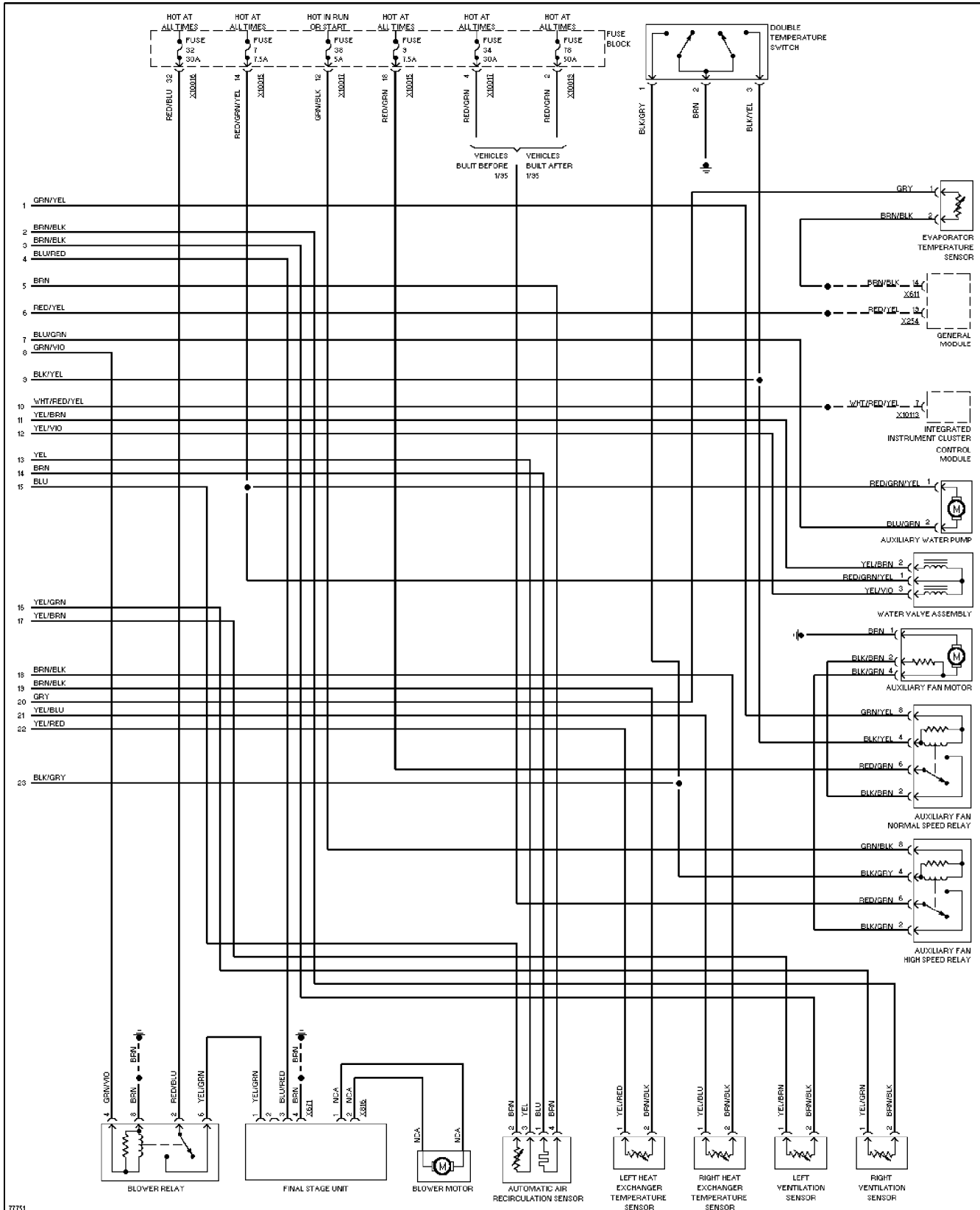
Air Conditioning Circuits (2 of 2)

1995 BMW 740iL

For DIAKOM-AUTO <http://www.diakom.ru> Taganrog support@diakom.ru (8634)315187

Copyright © 1998 Mitchell Repair Information Company, LLC

Thursday, November 23, 2000 12:30PM



SYSTEM WIRING DIAGRAMS Anti-lock Brake Circuits, W/ Traction Control (1 of 2)

1995 BMW 740iL

For DIAKOM-AUTO <http://www.diakom.ru> Taganrog support@diakom.ru (8634)315187

Copyright © 1998 Mitchell Repair Information Company, LLC

Thursday, November 23, 2000 12:30PM

