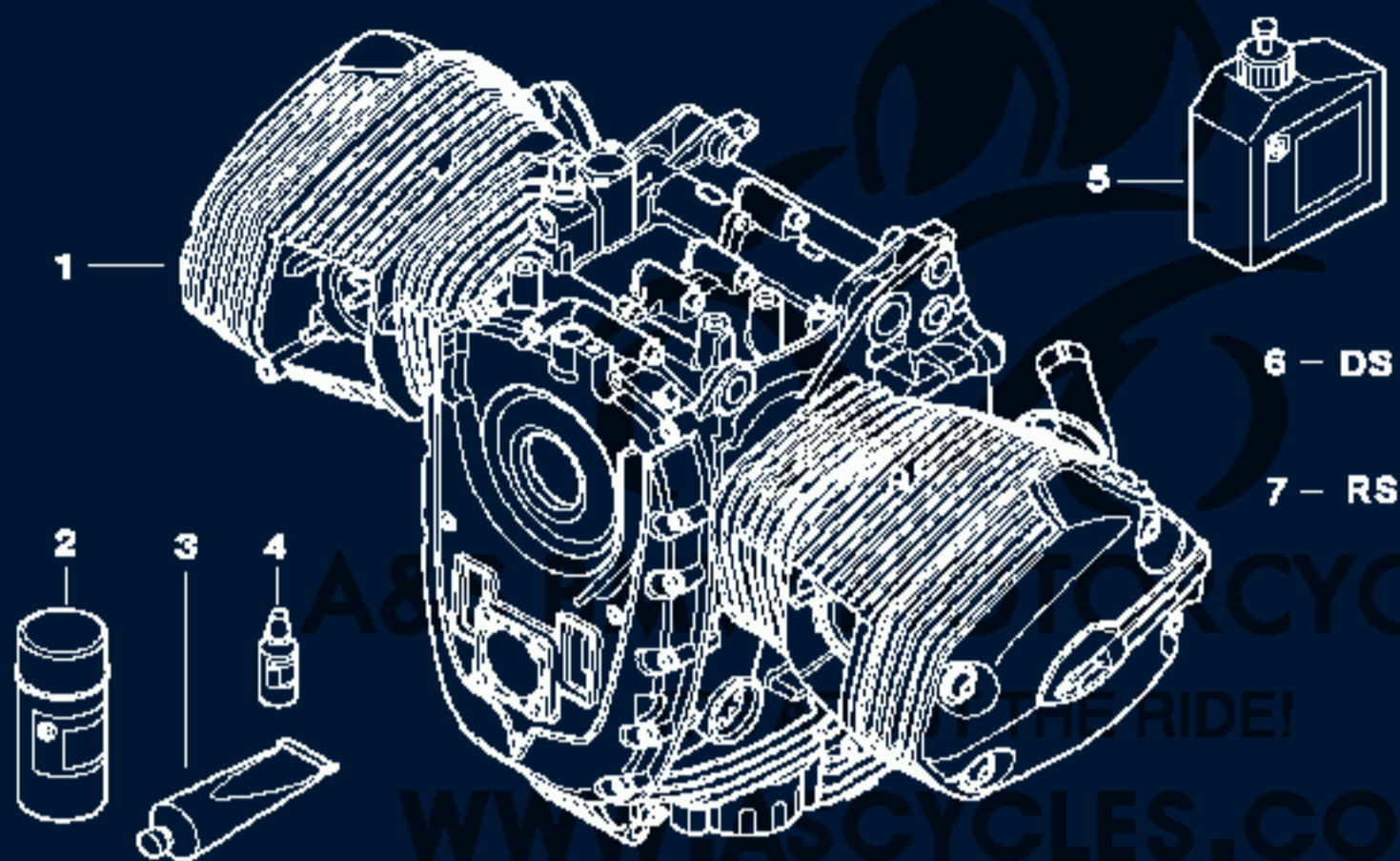


# Diagram 11\_3720 ENGINE

Full Download: <http://manualplace.com/download/bmw-1200-gs-parts-list/>

Series: K25 R1200 GS

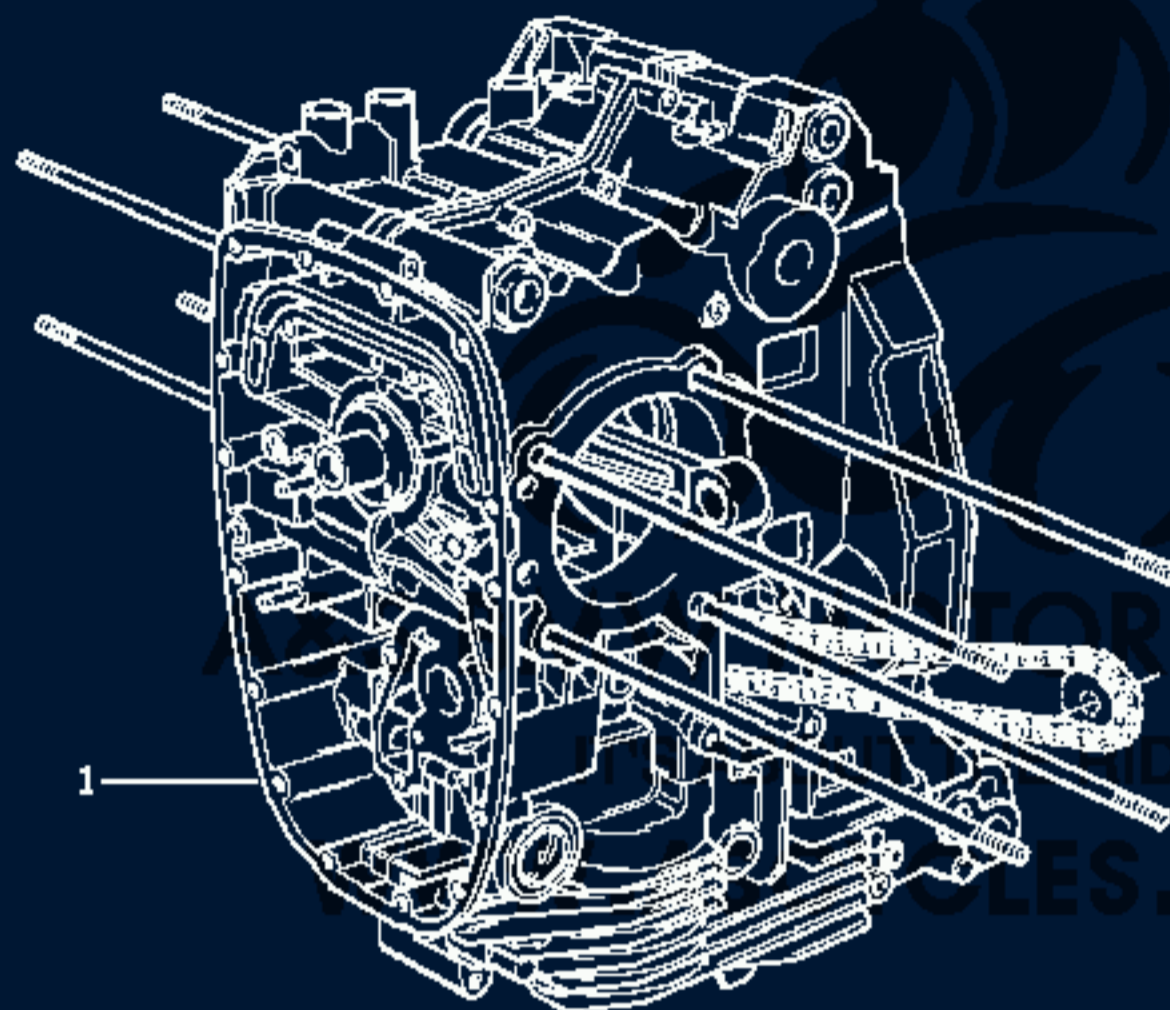


00136620

No.	Description	Supplement	Qty	From	Up To	Part Number	AT	R	TI
1	ENGINE SILVER		1			11 00 7 678 511		1	
2	MR 70 - DEVELOPER								
3	LUBRICANT								
3	LUBRICANT	MP3 100GR	X			07 55 9 062 476			
3	SEALING COMPOUND OMNI VISC 1002	90 G TUBE	X			07 58 1 465 170			
3	SEALING COMPOUND THREE BOND	1110B 5GR	X			07 58 9 056 998			
3	RUBBER MOUNTING		X			31 12 1 123 037			
4	GASKET								
4	GASKET	LOCTITE 638	X			07 58 9 056 030			
4	GASKET	LOCTITE 243	X			07 58 9 056 031			
4	ADHESIVE	20GR	X			07 58 9 062 157			
4	LOCTITE 270	10 ML	X			81 22 9 400 086			
5	MOTOR OIL SUPER POWER								
5	MOTOR OIL SUPER POWER	5W-40, 1 L	1			81 22 9 407 547			
5	MOTORCYCLE OIL	20W-50, 1 L	1			81 22 9 407 685			

# Diagrams 11\_3719 SHORT ENGINE

Series: K25 R1200 GS

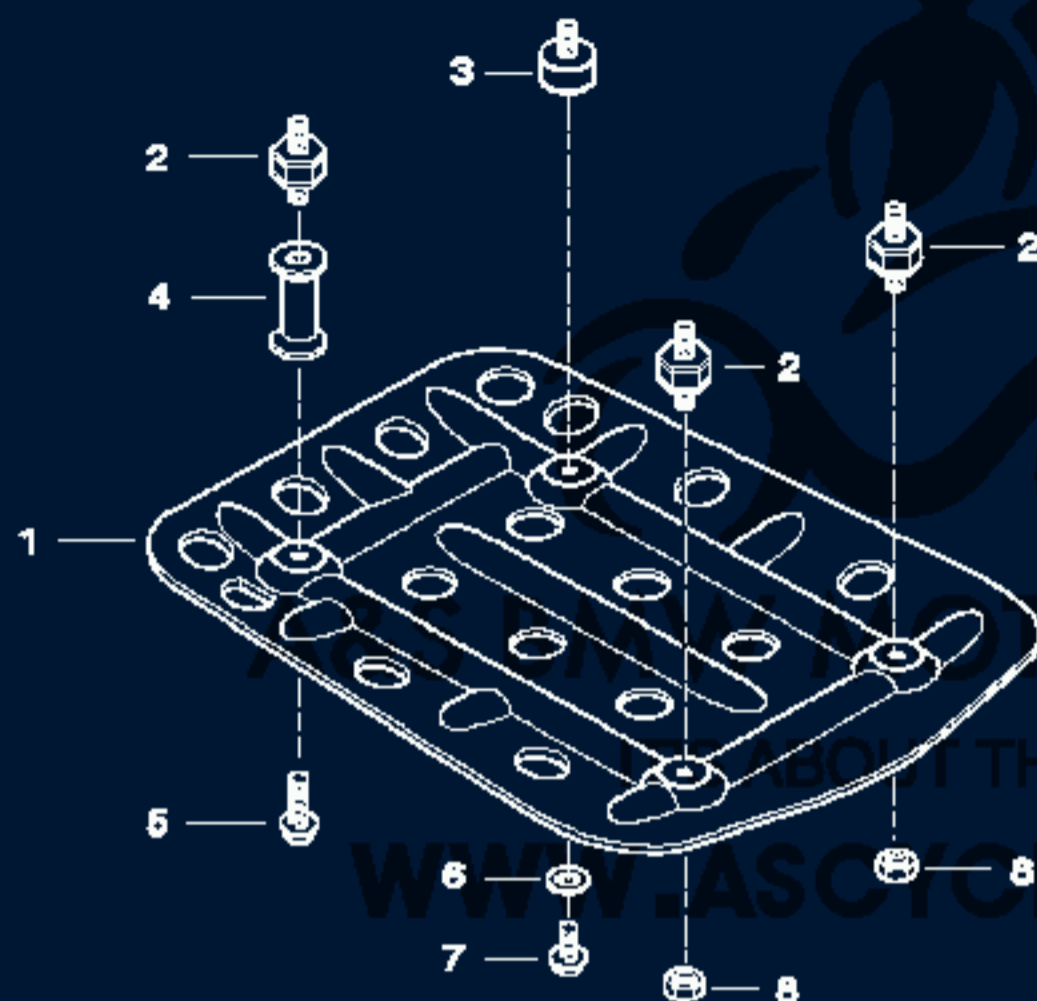


00001219

No.	Description	Supplement	Qty	From	Up To	Part Number	AT	R	TI
1	SHORT ENGINE SILVER		1			11 00 7 688 870		1	

# Diagrams 11\_3568 UNDERRIDE PORTECTION

Series: K25 R1200 GS

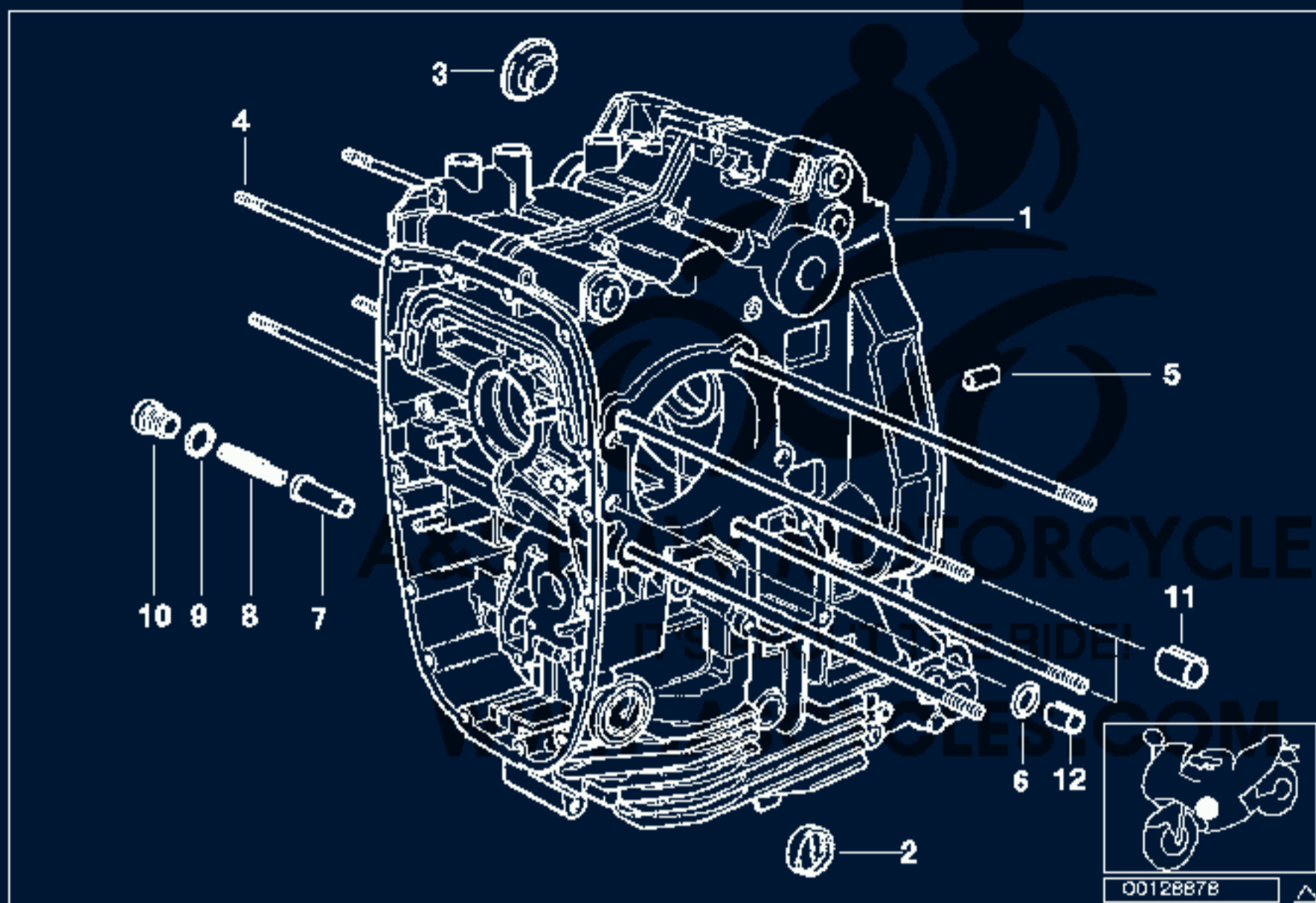


00128673

No.	Description	Supplement	Qty	From	Up To	Part Number	AT	R	TI
1	UNDERRIDE PORTECTION		1			11 11 7 674 123		1	
2	RUBBER BUFFER	M8 SW21 H15	3			11 11 7 682 158			
3	BUMP STOP	25X15	1			11 11 7 666 292			
4	SPACER		1			11 11 7 675 355			
5	HEX BOLT	M8X16-A2-70	1			07 11 9 904 921			
6	FLAT WASHER		1			11 12 1 714 488			
7	HEX BOLT	M6X10-A2-70	1			07 11 9 904 922			
8	HEX NUT	M8-A2-70	2			07 11 9 904 920			

# Diagrams 11\_3569 ENGINE HOUSING

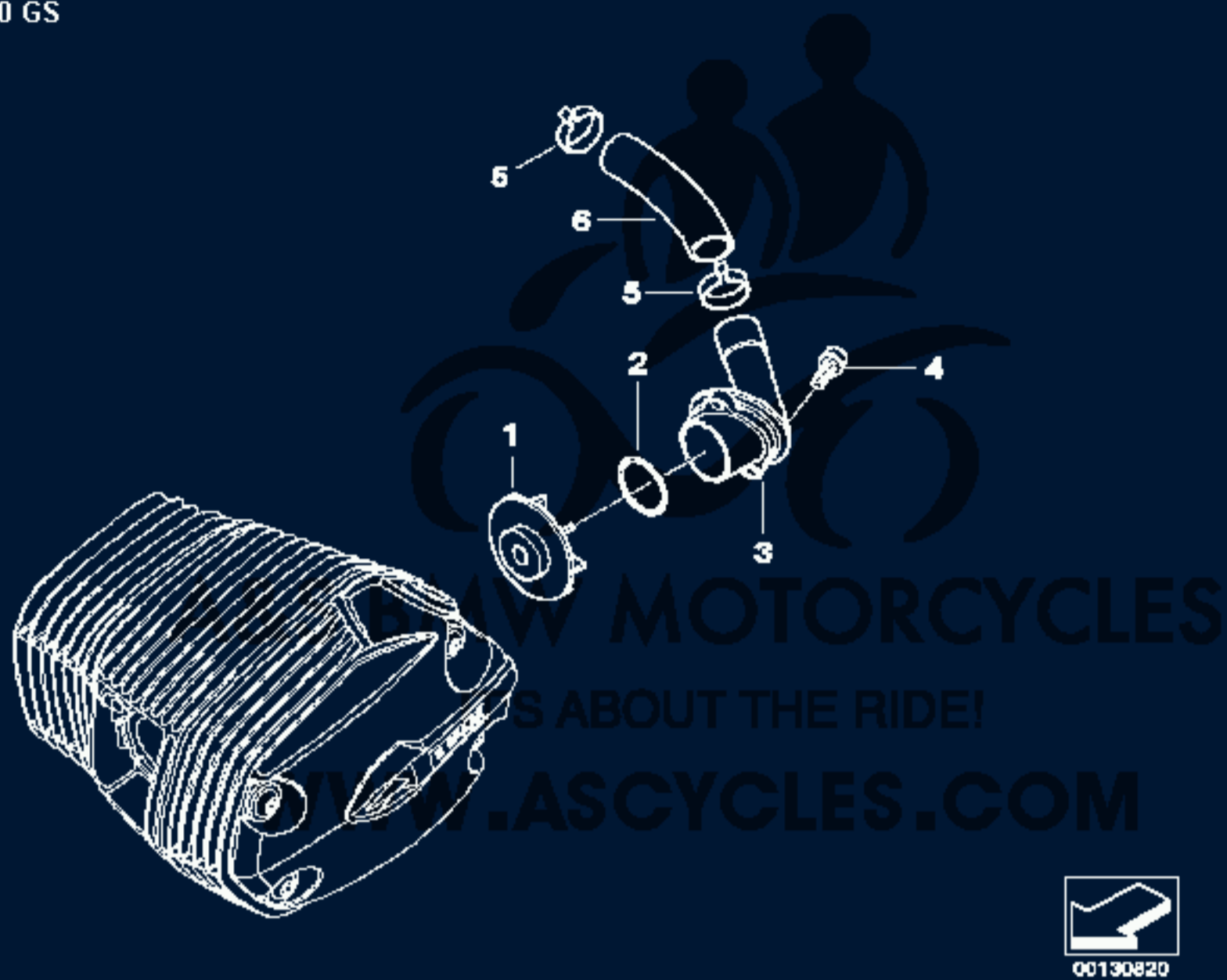
Series: K25 R1200 GS



No.	Description	Supplement	Qty	From	Up To	Part Number	AT	R	TI
1	SILVER ENGINE HOUSING		1			11 11 7 668 226		1	
2	OIL LEVEL INDICATOR		1			11 11 7 661 648			
3	PLUG		1			11 11 1 341 418			
4	STUD BOLT	M10X260,5	8			11 12 1 341 175			T
5	DOWEL		2			11 11 1 340 009			
6	O-RING		4			11 11 1 342 242			
7	PISTON		1			11 41 1 340 780		1	
8	COMPRESSION SPRING		1			11 41 1 460 259			
9	GASKET RING	A20X24-AL	1			07 11 9 963 340			
10	SCREW PLUG		1			11 41 1 460 483			
11	DOWEL	D=16	2			11 11 1 340 910			
12	DOWEL	D=10,5MM	4			11 12 1 726 238			

# Diagrams 11\_3594 ENGINE VENTILATION

Series: K25 R1200 GS

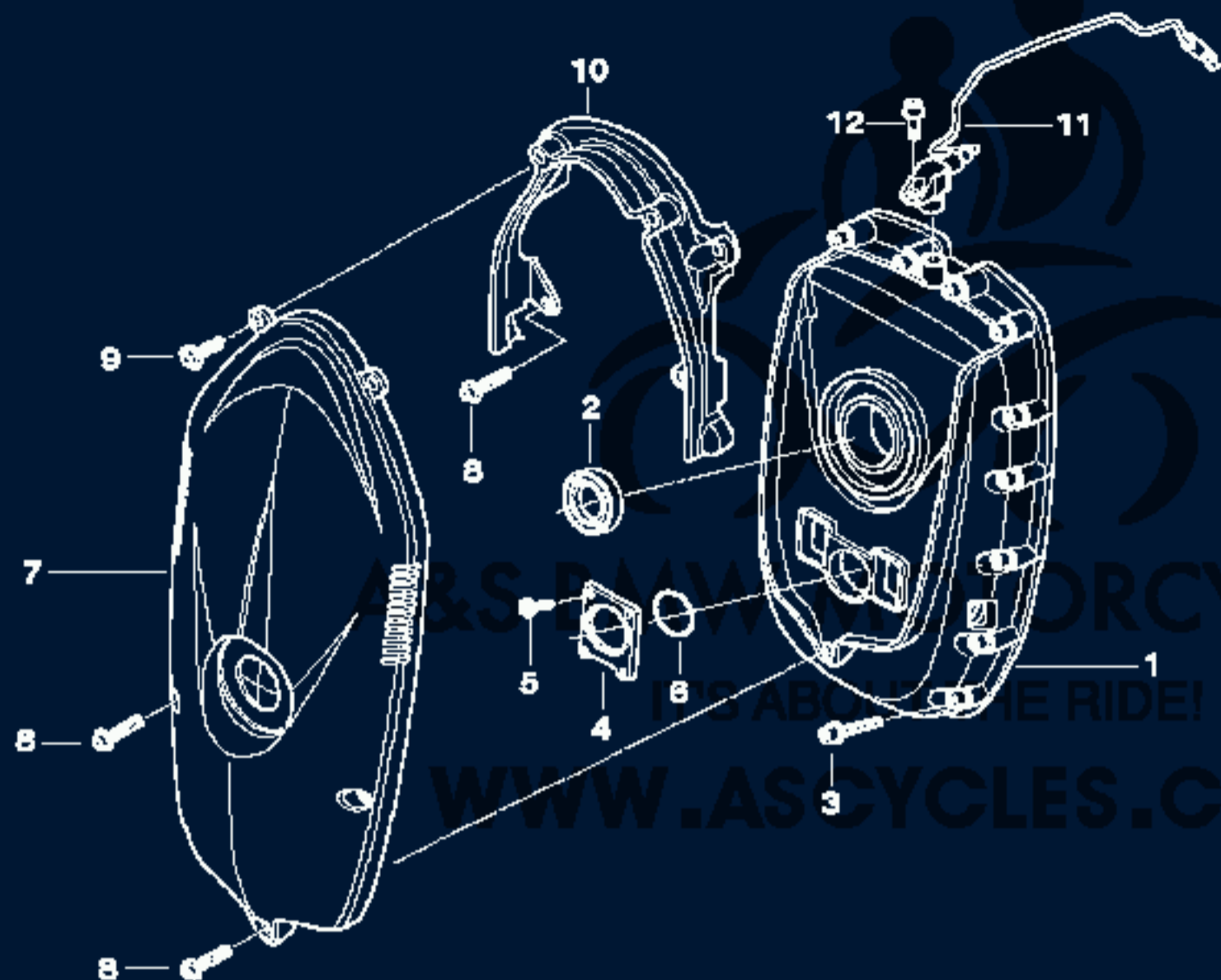


00130820

No.	Description	Supplement	Qty	From	Up To	Part Number	AT	R	TI
1	BREATHER		1			11 15 7 674 097			
2	O-RING	44X3	1			07 11 9 904 844			
3	BREATHER PIPE		1			11 15 7 674 098			
4	ISA SCREW	M6X20	2			07 12 9 905 186			
5	VENT HOSE	L=162	1			11 11 7 676 708			
6	HOSE CLAMP	D=28MM	2			11 15 7 679 174			

# Diagrams 11\_3592 FRONT COVER/TIMING CHAIN COVER

Series: K25 R1200 GS

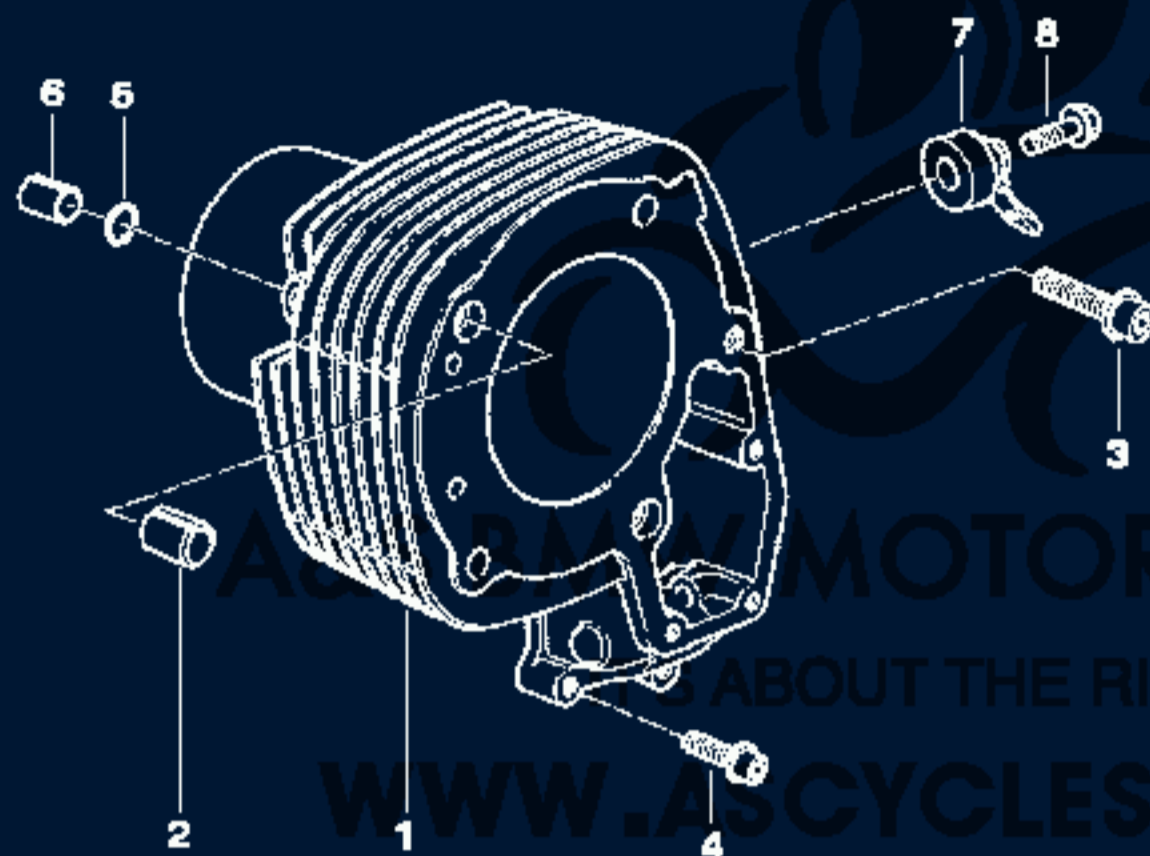


00136420

No.	Description	Supplement	Qty	From	Up To	Part Number	AT	R	TI
1	TIMING CHAIN COVER	SILBER	1			11 14 7 675 924		1	
2	SHAFT SEAL	36X50X7	1			11 14 7 672 642			
3	ISA SCREW	M6X30	X			07 12 9 904 432			
4	COVER		1			11 14 7 674 083			
5	TORX SCREW	M6X20	4			07 12 9 903 979			
6	O-RING	48X3	1			11 14 7 665 328			
7	COVERING WITH BADGE		1			11 14 7 678 088			
8	ISA SCREW	M5X16	7			07 12 9 905 120			
9	TORX-BOLT FOR PLASTIC MATERIAL	TS5X15	2			51 13 7 057 671			
10	BELTGUARD		1			11 14 7 675 091			
11	INDUCTIVE SENSOR, CRANKSHAFT		1			12 72 7 674 201			
12	TORX SCREW	M6X16MM ZNS3	1			07 12 9 903 978			

# Diagrams 11\_3595 CYLINDER

Series: K25 R1200 GS

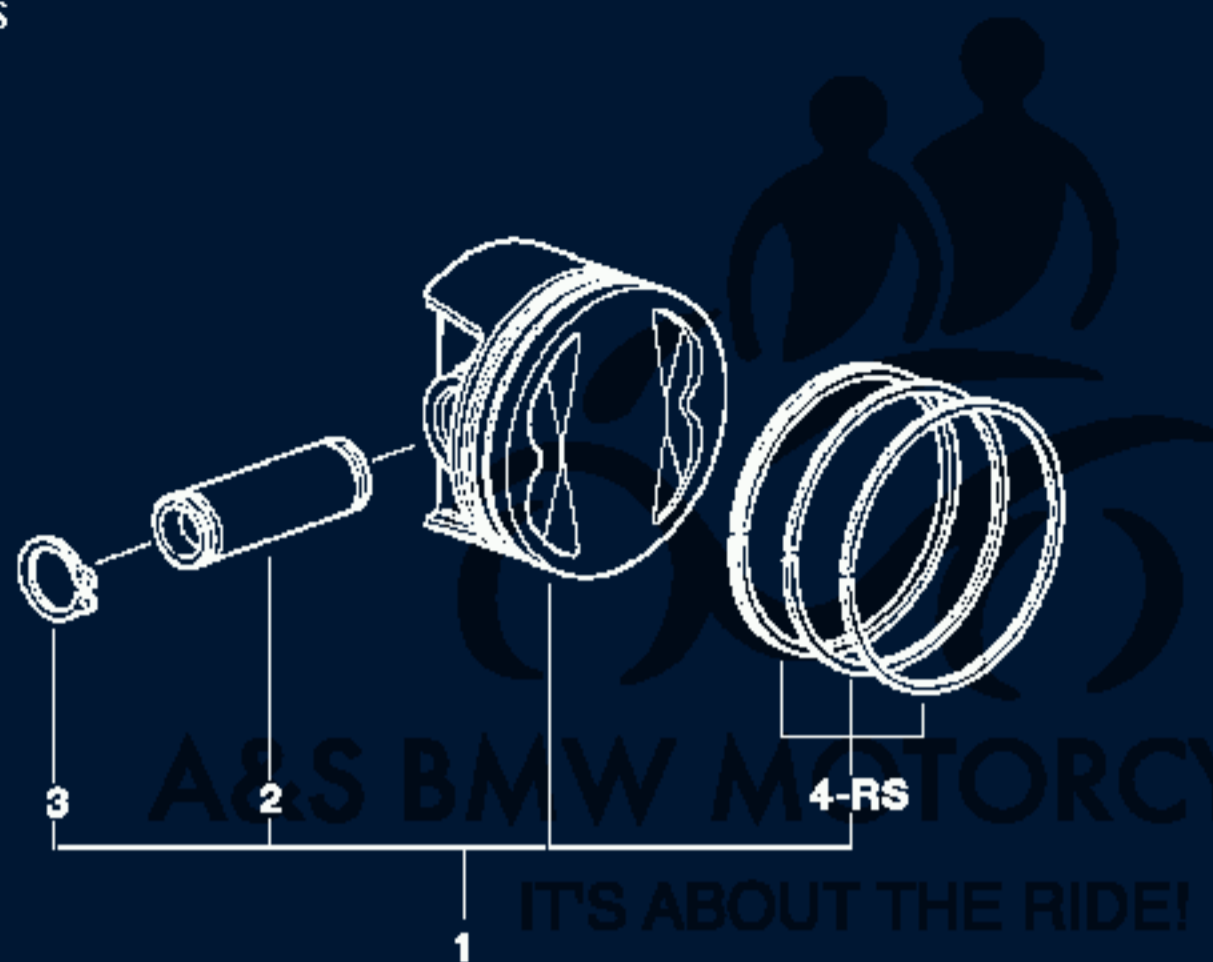


00130829

No.	Description	Supplement	Qty	From	Up To	Part Number	AT	R	TI
1	LEFT CYLINDER, SILVER								
1	LEFT CYLINDER, SILVER	A/B H=80,65	1			11 11 7 673 529		1	
1	RIGHT CYLINDER, SILVER	A/B H=80,65	1			11 11 7 673 530		1	
	ONLY APPLIES TO								
--	PISTON LEFT	AB+ 573 - 583	X			11 25 7 667 133		1	
--	PISTON RIGHT	AB+ 573 - 583	X			11 25 7 667 134			
--	PISTON LEFT	AB- 563 - 573	X			11 25 7 667 135			
--	PISTON RIGHT	AB- 563 - 573	X			11 25 7 667 136			
2	DOWEL PIN								
2	DOWEL PIN	6M6X14	2			07 11 9 942 074			
2	DOWEL	D=12,5MM	1			11 12 1 726 241			
3	ISA SCREW	M8X30	1			07 12 9 904 855			
4	ISA SCREW	M6X35	3			07 12 9 904 709			
5	O-RING		1			11 11 1 342 242			
6	DOWEL	D=10,5MM	2			11 12 1 726 238			
7	PING SENSOR		1			11 11 7 664 361			
8	ISA SCREW	M8X35	1			07 12 9 905 026			

# Diagrams 11\_2813 PISTON, SINGLE COMPONENTS

Series: K25 R1200 GS



[WWW.ASCYCLES.COM](http://WWW.ASCYCLES.COM)

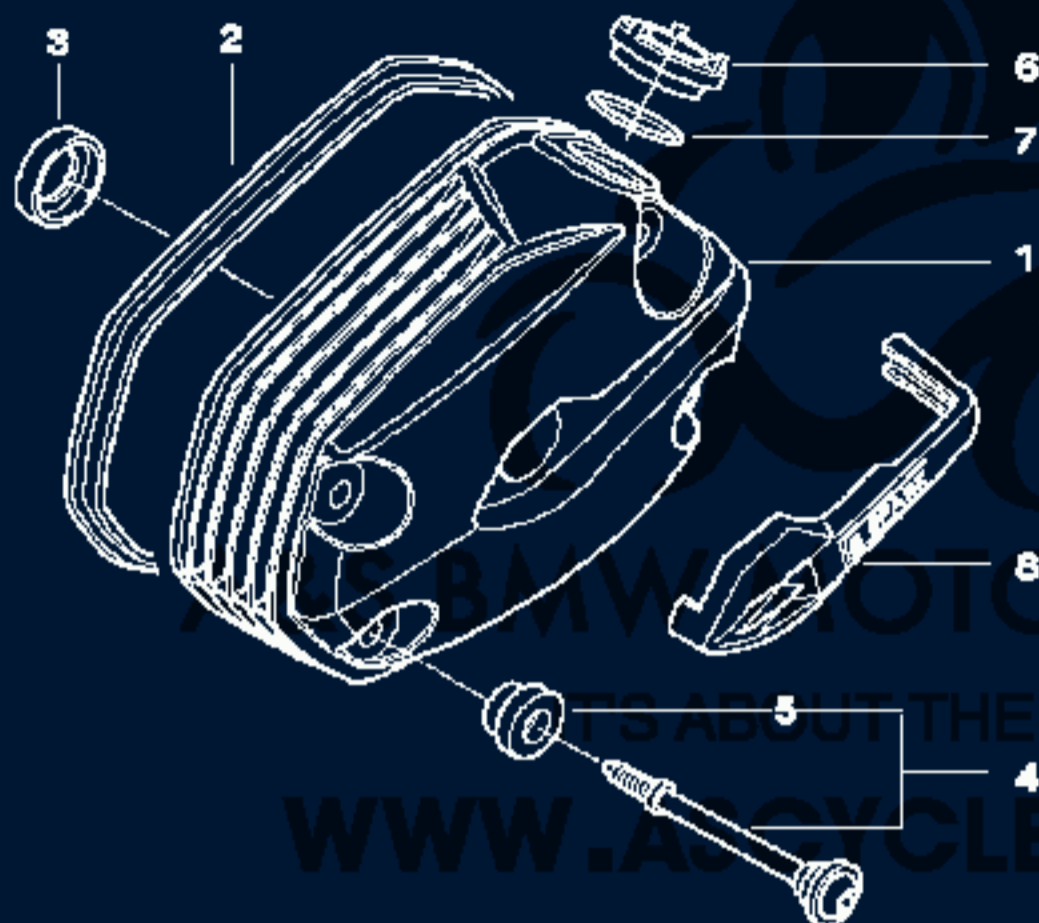
00001210

No.	Description	Supplement	Qty	From	Up To	Part Number	AT	R	TI
1	PISTON LEFT								
1	PISTON LEFT	AB+ 573 - 583	1			11 25 7 667 133		1	
1	PISTON RIGHT	AB+ 573 - 583	1			11 25 7 667 134			
1	PISTON LEFT	AB- 563 - 573	1			11 25 7 667 135			
1	PISTON RIGHT	AB- 563 - 573	1			11 25 7 667 136			
2	GUDGEON PIN		1			11 25 1 341 365			
3	LOCK RING	A22X1,75	2			11 25 1 335 476			
4	REPAIR KIT PISTON RINGS	D=101	1			11 25 7 652 848			



# Diagrams 11\_3584 CYLINDER HEAD COVER

Series: K25 R1200 GS

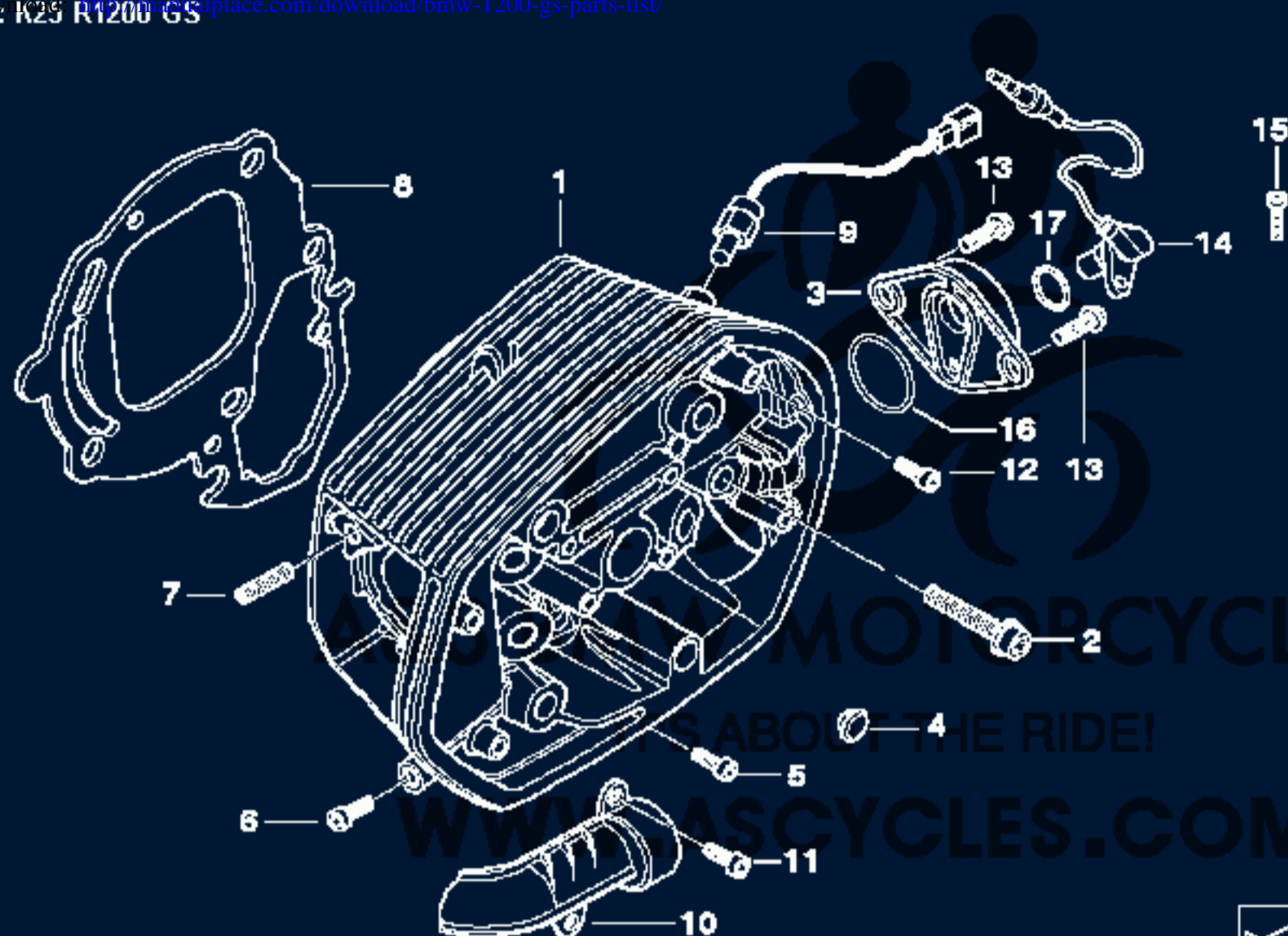


00129656

No.	Description	Supplement	Qty	From	Up To	Part Number	AT	R	TI
1	ROCKER BOX COVER LEFT								
1	ROCKER BOX COVER LEFT	SILBER	1			11 12 7 673 079		1	
1	ROCKER BOX COVER RIGHT	SILBER	1			11 12 7 673 080		1	
2	EXTERIOR GASKET		2			11 12 7 673 086			
3	INTERIOR GASKET		3			11 12 7 673 087			
4	ISA SCREW WITH BUSH	ZNS3	8			11 12 7 658 634			
5	RUBBER BUSH		8			11 12 7 654 978			
6	OIL COVER LID		1			11 12 7 677 368			
7	O-RING	27X3,2	1			07 11 9 904 950			
8	SPARK PLUG COVER, LEFT								
8	SPARK PLUG COVER, LEFT		1			11 12 7 677 525			
8	SPARK PLUG COVER, RIGHT		1			11 12 7 677 526			

# Diagram 11\_3591 CYLINDER HEAD/MOUNTING PARTS

Series: K25 R1200 GS



00142120

No.	Description	Supplement	Qty	From	Up To	Part Number	AT	R	TI
1	CYLINDER HEAD LEFT								
1	CYLINDER HEAD LEFT	SILBER	1			11 12 7 669 415		1	
1	CYLINDER HEAD RIGHT	SILBER	1			11 12 7 669 416		1	
2	ISA SCREW WITH WASHER	M10X85	2			11 12 7 669 436			
3	SENSOR PLATE		1			12 72 7 674 454			
4	BLIND PLUG		2			11 11 1 460 828			
5	ISA SCREW	M6X30	3			07 12 9 904 432			
6	ISA SCREW	M6X12	1			07 12 9 904 831			
7	STUD BOLT	M8X30	2			07 12 9 908 149			
8	CYL. HEAD GASKET, 3 COMPONENTS		1			11 12 7 672 598		1	
9	TEMPERATURE SENSOR WITH CABLE		1			12 62 7 673 407		1	
10	COVER								
10	COVER	LINKS	1			12 13 7 676 205			
10	COVER	RECHTS	1			12 13 7 676 206			
11	ISA SCREW	M6X12	2			07 12 9 903 805			
12	ISA SCREW	M6X10	1			07 12 9 904 965			
13	TORX SCREW	M6X20	2			07 12 9 903 979			
14	CAMSHAFT SPEED SENSOR		1			12 72 7 674 768		1	
15	ISA SCREW	M6X14	1			07 12 9 903 027			
16	O-RING	44X3	1			07 11 9 904 844			
17	O-RING	17X2	1			12 72 7 694 010			