

This Book is Effective for the Following Machines

Straight Skip From : SLBDNN00E102AR048

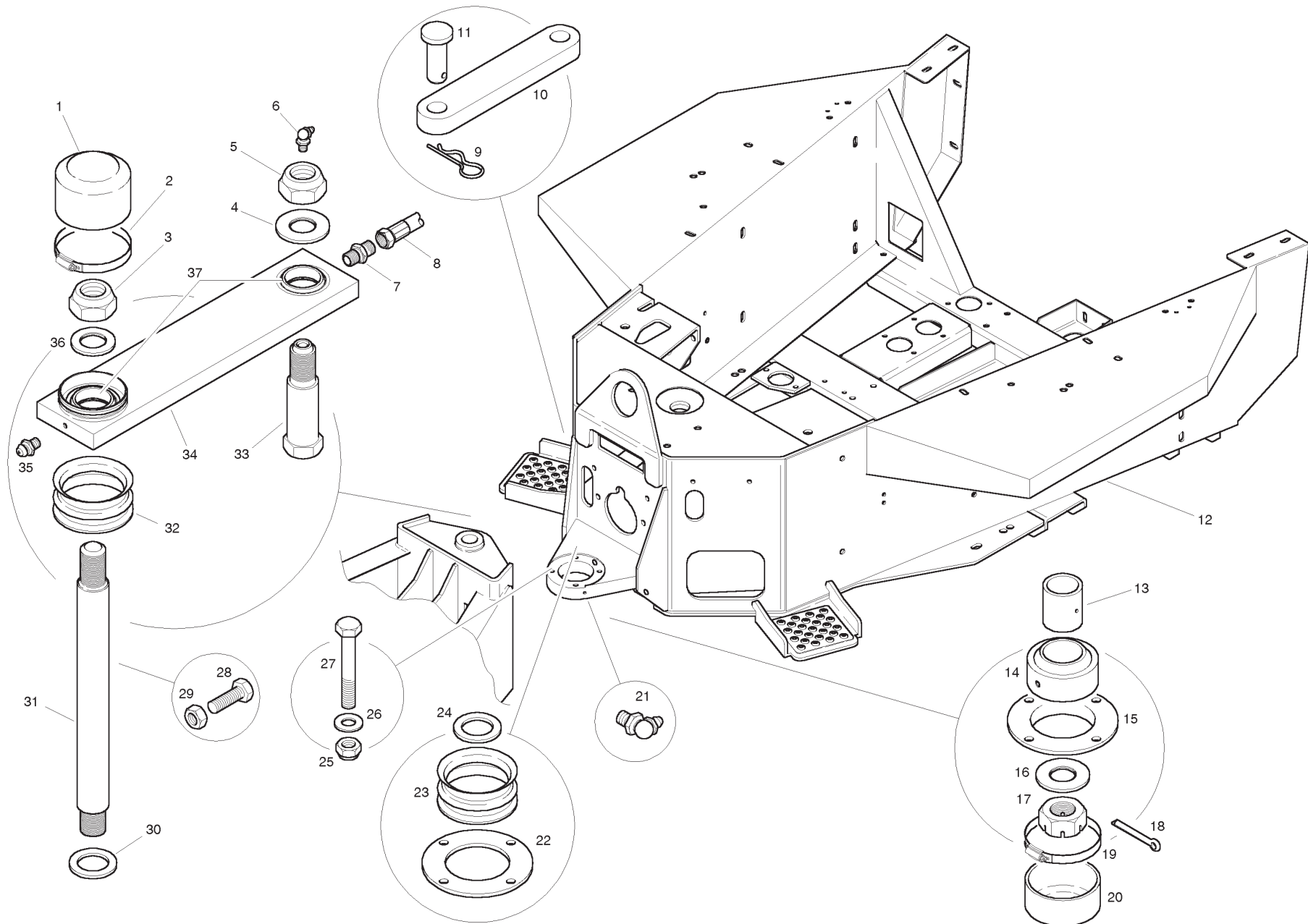
Swing Skip From : SLBDNN00E102AS033

Contents

- Centre Pivot and Rear Frame 2
- Seat Support 4
- Seat 8
- Bonnet 10
- Straight Skip 14
- Swing Skip 16
- Transmission 20
- Front Axle Brake Levers 22
- Front Pinion Cartridge 24
- Main Case - Front 26
- Planet Carrier - Front 28
- Hub Assembly - Front 30
- Diff Assembly - Front 32
- Pinion Cartridge - Rear 34
- Main Case - Rear 36
- Planet Carrier - Rear 38
- Hub Assembly - Rear 40
- Diff Assembly - Rear 42
- Gearbox and Clutch 44
- Wheel 46
- Gearbox Components 48
- Engine 54
- Fuel Tank 56
- Accelerator and Linkage 58
- Clutch Pedal and Linkage 60
- Handbrake 62
- Brake Pedal and Master Cylinder 64
- Brake Pipes 66
- Hydraulic Tank 68
- Steering 70
- Control Valve - Straight Skip 72
- Control Valve - Swing Skip 74
- Straight Skip Ram 76
- Swing Skip Ram 78
- Swing Skip Slew Rams 80
- Hydraulic Pump 82
- Electrics 84
- Dashboard 86
- Rear Lights - RTA 90
- Front Lights - Straight Skip 92
- Front Lights - Swing Skip 94
- Site Lights 96
- ROPS and Beacon 98
- FOPS 100
- Registration Set 102
- Transfers 104

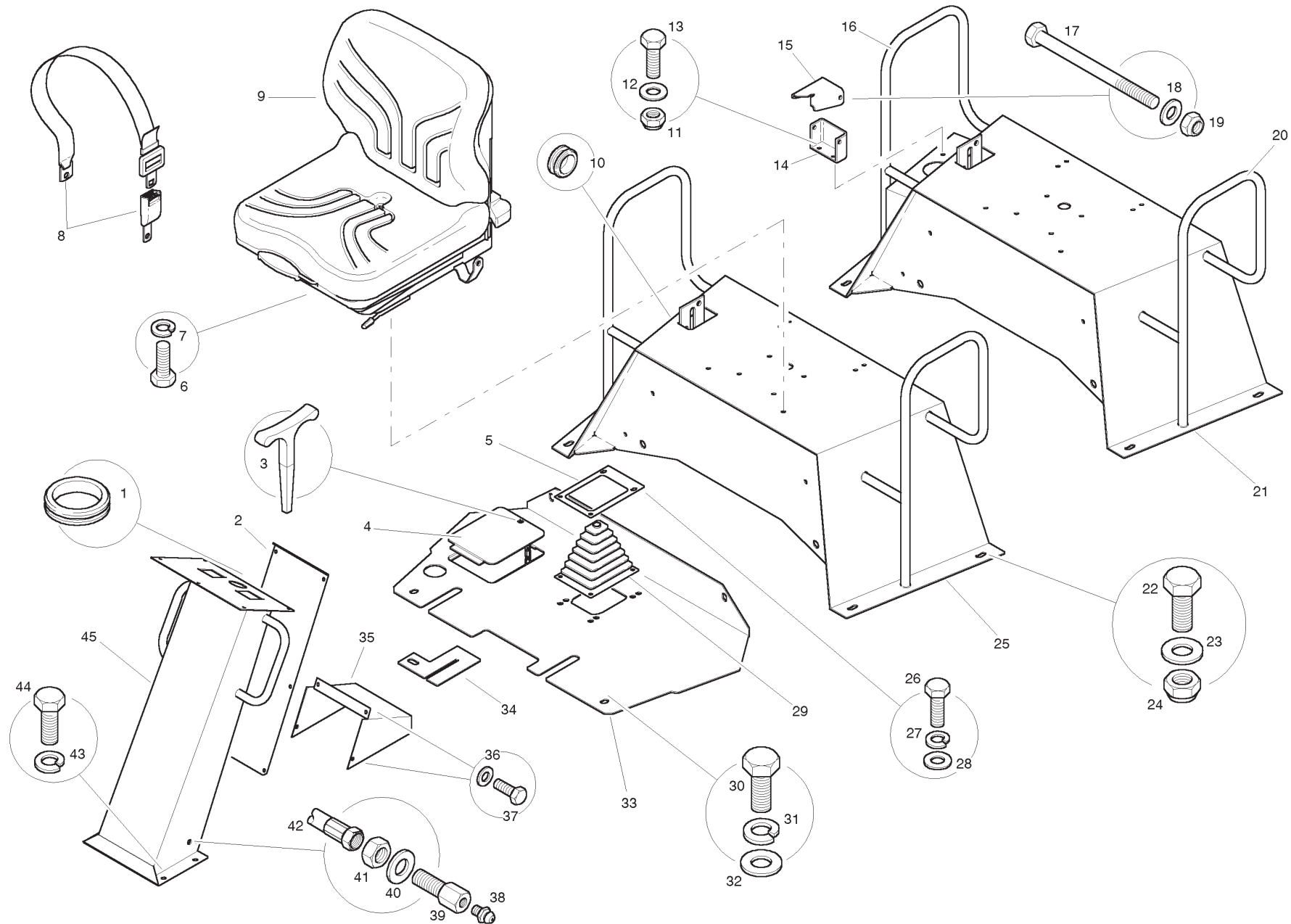
Spare Parts Listing

Centre Pivot and Rear Frame



Item	Part No.	Qty.	English	French	German	Spanish	Remarks
1	1583-1116	1	Cover	Couvercle	Deckel	Tapa	
2	919-21	1	Clip	Collier	Schelle	Grapa	
3	202-16	1	Nut	Ecrou	Sechskantmutter	Tuerca	
4	1585-1009	1	Washer	Rondelle	Scheibe	Arandela	
5	202-16	1	Nut	Ecrou	Sechskantmutter	Tuerca	
6	MS121-6	1	Grease Nipple	Nipple de graissage	Schmiernippel	Conectador Engrase	
7	Z97	1	Adaptor	Adaptateur	Adapter	Adaptador	
8	1731-1303	1	Hose	Tuyau	Schlauch	Manguera	
9	1583-1227	2	Clip	Collier	Schelle	Grapa	
10	1583-1225	1	Tie Rod	Barre	Spurstange	Barra de union	
11	1583-1226	2	Pin	Axe	Bolzen	Esparrago	
12	1583-1474	1	Rear Frame	Chassis	Rahmen	Bastidor	
13	1583-1088	1	Bush	Douille	Buchse	Casquillo	
14	1583-1058	1	Bearing	Roulement	Lager	Cojinete	
15	1583-1119	1	Retainer	Bague d'arret	Haltrung	Reten	
16	1585-1009	1	Washer	Rondelle	Scheibe	Arandela	
17	215-14	1	Slotted Nut	Ecrou rainure	Nutmutter	Tuerca ranurada	
18	227-66	1	Split Pin	Coupille fendue	Splint	Pasador de aleta	
19	919-21	1	Clip	Collier	Schelle	Grapa	
20	1583-1118	1	Cover	Couvercle	Deckel	Tapa	
21	MS122-6	1	Grease Nipple	Nipple de graissage	Schmiernippel	Conectador Engrase	
22	1583-1085	1	Retainer	Bague d'arret	Haltrung	Reten	
23	1583-1117	1	Seal	Joint	Dichtung	Junta	
24	1583-1089	1	Spacer	Entretoise	Distanzring	Espaciador	
25	MS51-10	4	Nut	Ecrou	Sechskantmutter	Tuerca	
26	MS54-10C	4	Washer	Rondelle	Scheibe	Arandela	
27	MS33-70	4	Bolt	Goupille	Bolzen	Bulon	
28	MS43-30	2	Setscrew	Vis	Sechskantschraube	Tornillo de ajuste	
29	MS52-10	2	Locknut	Contre ecrou	Mutter	Tuerca de Fijacion	
30	1583-1089	1	Spacer	Entretoise	Distanzring	Espaciador	
31	1583-1087	1	Pin	Axe	Bolzen	Esparrago	
32	1583-1117	1	Seal	Joint	Dichtung	Junta	
33	1585-1243	1	Pin	Axe	Bolzen	Esparrago	
34	1583-1005	1	Plate	Tole	Blech	Placa	
35	MS120-6	1	Grease Nipple	Nipple de graissage	Schmiernippel	Conectador Engrase	
36	1584-1201	1	Washer	Rondelle	Scheibe	Arandela	
37	1583-1057	2	Bearing	Roulement	Lager	Cojinete	

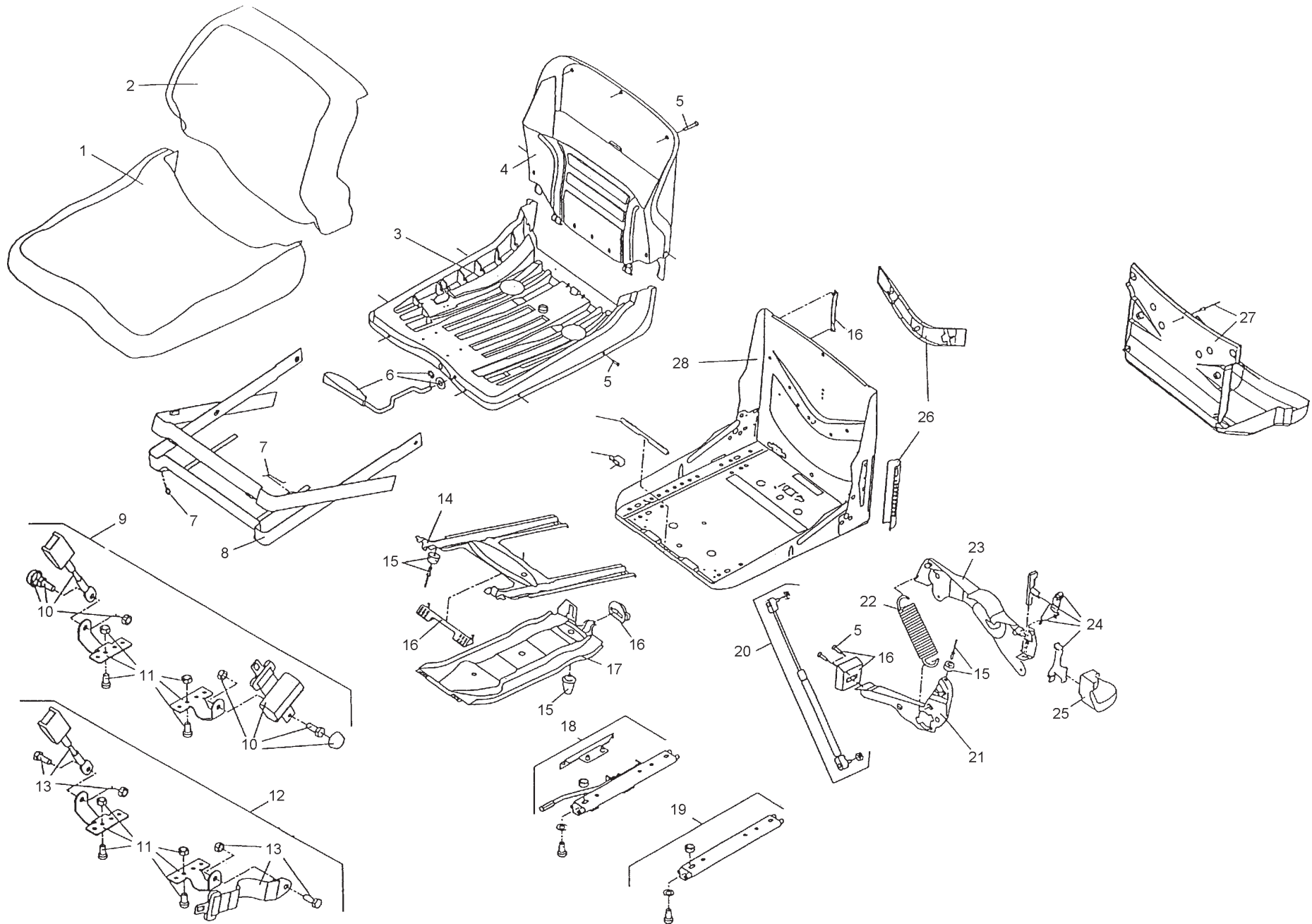
Seat Support



Item	Part No.	Qty.	English	French	German	Spanish	Remarks
1	1583-1109	1	Grommet	Passe-fils	Durchgangstulle	Atandela de caucho	
2	1584-1137	1	Cover	Couvercle	Deckel	Tapa	
3	MISC-102	1	Budget Lock Key	Clef	Passfeder	Chaveta	
4	1583-1067A	1	Cover	Couvercle	Deckel	Tapa	
5	1584-1151	1	Clamp	Attache	Schraubzwinge	Pinza	
6	MS42-20	4	Setscrew	Vis	Sechskantschraube	Tornillo de ajuste	
7	MS127-6	4	Spring Washer	Rondelle Grower	Federring	Arrandela de muelle	
8	1583-1181	1	Kit	Kit	Bausatz	Avios	
9	1584-1116	1	Seat	Siege	Sitz	Asiento	
10	8000-3993	1	Grommet	Passe-fils	Durchgangstulle	Atandela de caucho	
11	MS51-8	2	Nut	Ecrou	Sechskantmutter	Tuerca	
12	MS54-8A	2	Washer	Rondelle	Scheibe	Arandela	
13	MS42-25	2	Setscrew	Vis	Sechskantschraube	Tornillo de ajuste	
14	1592-1228	1	Bracket	Support	Halter	Abrazadera	
15	1592-1043	1	Plate	Tole	Blech	Placa	
16	1585-1111-103	1	Handrail	Poignee	Griff	Manilla	
17	MS32-100	1	Bolt	Goupille	Bolzen	Bulon	
18	MS54-8A	1	Washer	Rondelle	Scheibe	Arandela	
19	MS51-8	1	Nut	Ecrou	Sechskantmutter	Tuerca	
20	1585-1111-102	1	Handrail	Poignee	Griff	Manilla	
21	1583-1396	1	Support	Support	Halter	Soporte	Swing Skip
22	MS44-30	4	Setscrew	Vis	Sechskantschraube	Tornillo de ajuste	
23	MS54-12C	4	Washer	Rondelle	Scheibe	Arandela	
24	MS51-12	4	Nut	Ecrou	Sechskantmutter	Tuerca	
25	1581-1111	1	Support	Support	Halter	Soporte	Straight Skip
26	MS42-25	4	Setscrew	Vis	Sechskantschraube	Tornillo de ajuste	
27	MS127-8	4	Spring Washer	Rondelle Grower	Federring	Arrandela de muelle	
28	MS54-8A	4	Washer	Rondelle	Scheibe	Arandela	
29	1584-1150	1	Bellows	Soufflerie	Blasebalg	Fuelle	
30	MS44-30	4	Setscrew	Vis	Sechskantschraube	Tornillo de ajuste	
31	MS127-12	4	Spring Washer	Rondelle Grower	Federring	Arrandela de muelle	
32	MS54-12C	4	Washer	Rondelle	Scheibe	Arandela	
33	1583-1289	1	Cover	Couvercle	Deckel	Tapa	
34	1584-1202	1	Sealing Strip	Baguette	Streifen	Cinta	
35	1592-1208	1	Cover	Couvercle	Deckel	Tapa	

Item	Part No.	Qty.	English	French	German	Spanish	Remarks
36	MS54-6B	8	Washer	Rondelle	Scheibe	Arandela	
37	MS41-16	8	Setscrew	Vis	Sechskantschraube	Tornillo de ajuste	
38	MS120-6	1	Grease Nipple	Nipple de graissage	Schmiernippel	Conectador Engrase	
39	1585-1235	1	Adaptor	Adaptateur	Adapter	Adaptador	
40	MS54-10C	1	Washer	Rondelle	Scheibe	Arandela	
41	259-1	1	Nut	Ecrou	Sechskantmutter	Tuerca	
42	1731-1303	1	Hose	Tuyau	Schlauch	Manguera	
43	MS127-10	4	Spring Washer	Rondelle Grower	Federring	Arrandela de muelle	
44	MS43-30	4	Setscrew	Vis	Sechskantschraube	Tornillo de ajuste	
45	1584-1136	1	Support	Support	Halter	Soporte	

Seat



Item	Part No.	Qty.	English	French	German	Spanish	Remarks
1	134459	1	Cushion	Coussin	Daempfen	Couin	
2	134479	1	Cushion	Coussin	Daempfen	Couin	
3	134140	1	Pan	Plateau	Topf	Cubeta	
4	134481	1	Plate	Tole	Blech	Placa	
5	133124	3	Kit	Kit	Bausatz	Avios	
6	133603	1	Lever	Levier	Hebel	Palanca	
7	133176	1	Kit	Kit	Bausatz	Avios	
8	133617	1	Cover	Couvercle	Deckel	Tapa	
9	133018	1	Kit	Kit	Bausatz	Avios	
10	902131	1	Belt	Cienture	Guertel	Banda	
11	133111	1	Kit	Kit	Bausatz	Avios	
12	133336	1	Kit	Kit	Bausatz	Avios	
13	902173	1	Belt	Cienture	Guertel	Banda	
14	133618	1	Arm	Bras	Arm	Brazo	
15	133116	1	Kit	Kit	Bausatz	Avios	
16	133114	1	Kit	Kit	Bausatz	Avios	
17	133117	1	Arm	Bras	Arm	Brazo	
18	132984	1	Kit	Kit	Bausatz	Avios	
19	132985	1	Rail	Tringle	Stange	Larguero	
20	133119	1	Shock Absorber	Amortisseur	Stosssdaempfer	Amortiguador	
21	133126	1	Lever	Levier	Hebel	Palanca	
22	132596	1	Spring	Ressort	Feder	Muelle	
23	133122	1	Lever	Levier	Hebel	Palanca	
24	133125	1	Kit	Kit	Bausatz	Avios	
25	132112	1	Handle	Poignee	Griff	Manilla	
26	133177	1	Kit	Kit	Bausatz	Avios	
27	133017	1	Manual Holder	Titulaire	Halterung	Titular	
28	132987	1	Frame	Chassis	Rahmen	Bastidor	

Bonnet

