



# PARTS MANUAL

## MAINTENANCE FILTERS KIT



FIGURE	REFERENCE	DENOMINATION	AMOUNT
001	KF.32000RE00	T 204 H FILTERS KIT	1
002	461.00031.00	TELEHANDLER ARM GREASE	1

## ENGINE

### MOTEUR KUBOTA V 2403 ME (PARTIE 1)

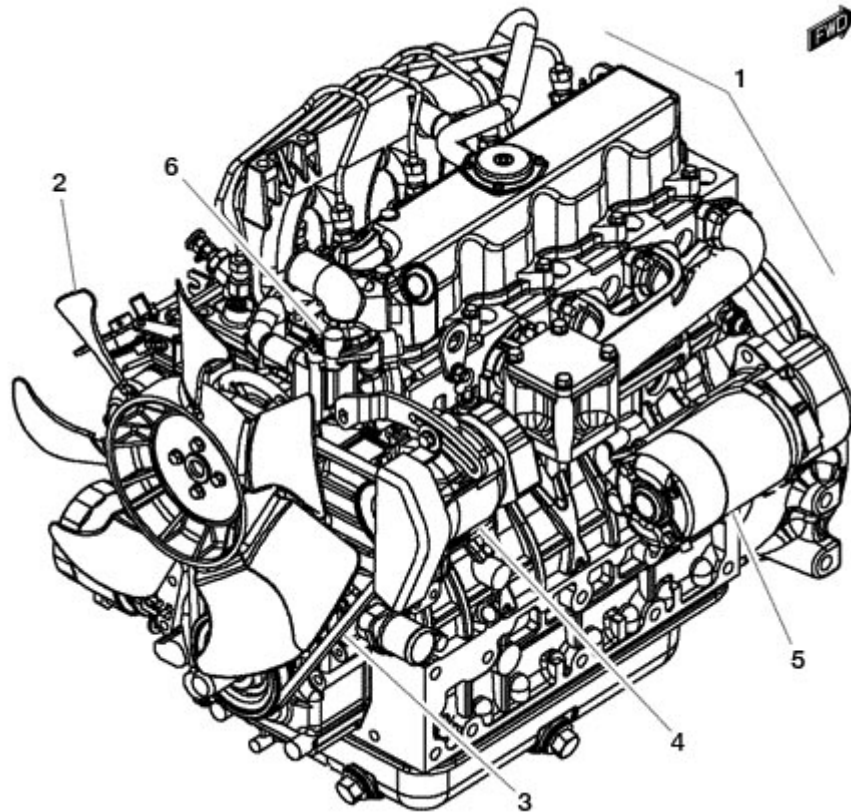


FIGURE	REFERENCE	DENOMINATION	AMOUNT
001	65.02130.01	DIESEL ENGINE 38KW KUBOTA V2403-M-E2B	1
002	32.02013.00	FAN	1
003	KU1G95397010	BELT	1
004	KU1640464012	ALTERNATOR	1
005	KU1712363016	STARTER	1
006	32.11036.00	WATER TEMPERATURE SENSOR	1

## ENGINE

### MOTEUR KUBOTA V 2403 ME (PARTIE 1)

CHASSIS: 61018

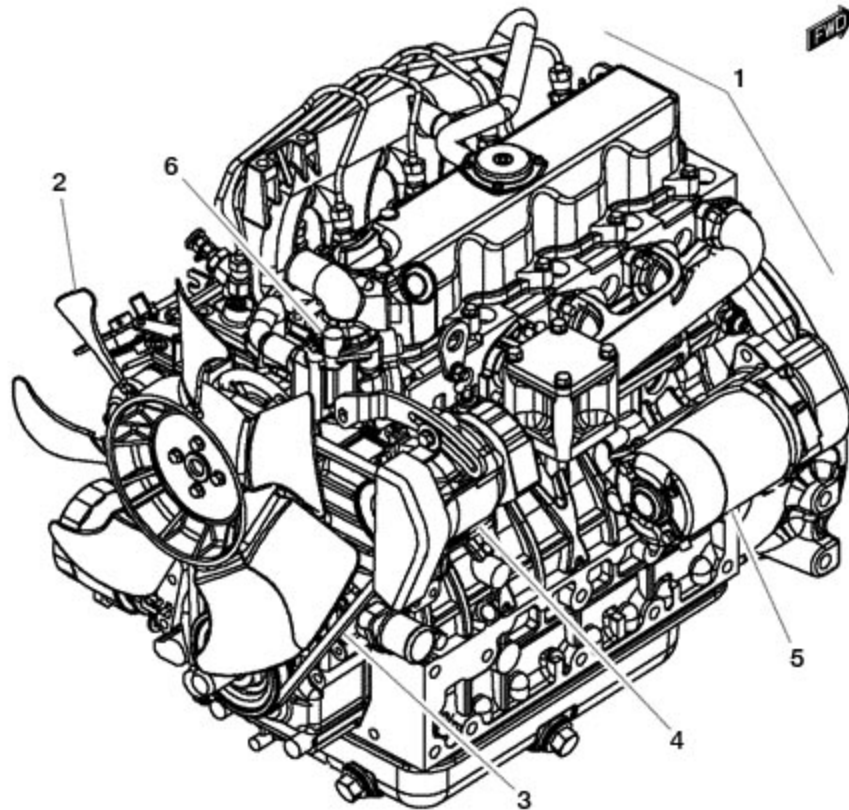


FIGURE	REFERENCE	DENOMINATION	AMOUNT
001	65.02160.00	DIESEL ENGINE 36.5KW KUBOTA V2403-M-E3B	1
002	32.02013.00	FAN	1
003	KU1G95397010	BELT	1
004	KU1640464012	ALTERNATOR	1
005	KU1712363016	STARTER	1
006	32.11036.00	WATER TEMPERATURE SENSOR	1

## ENGINE

### MOTEUR KUBOTA V 2403 ME (PARTIE 2)

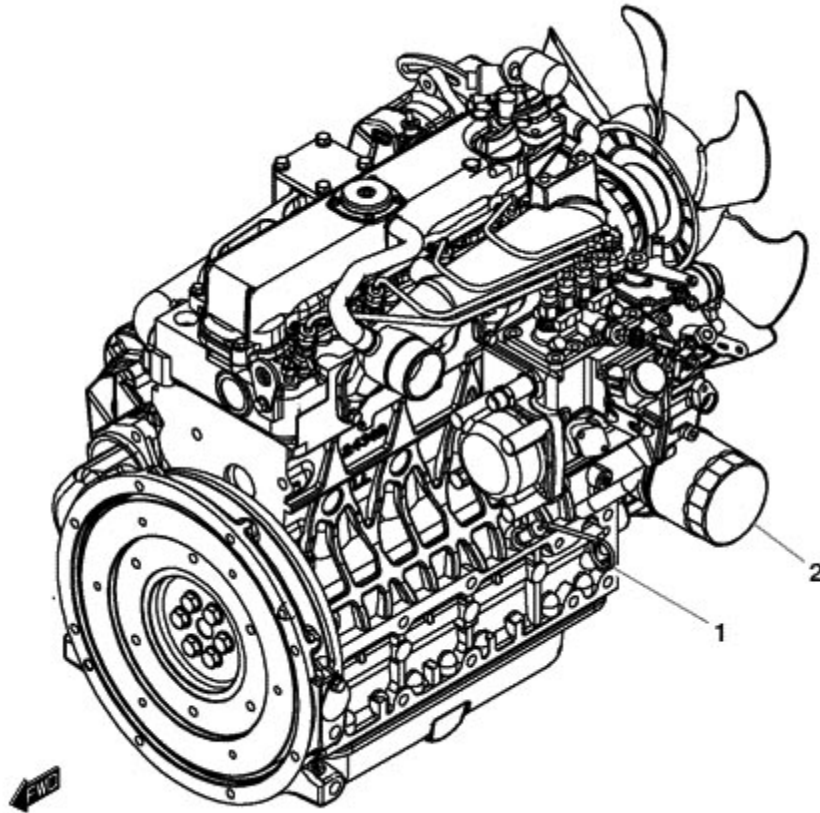


FIGURE	REFERENCE	DENOMINATION	AMOUNT
001	KU1G62236413	DIPSTICK	1
002	MN000027	OIL FILTER, CARTRIDGE	1

## ENGINE ACOUPLEMENT POMPE

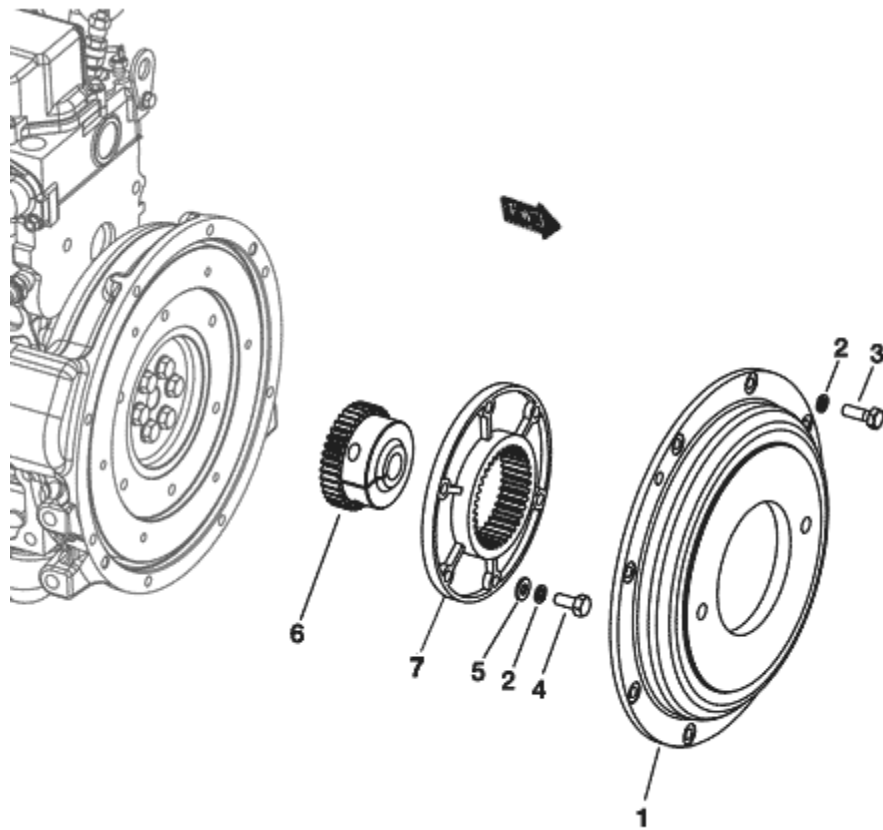


FIGURE	REFERENCE	DENOMINATION	AMOUNT
001	65.03213.00	PLATE H45 SAE	1
002	104.10000.00	WASHER DIN7980 Ø10	14
003	604.10030.86	BOLT DIN931 M10x30	8
004	617.10025.86	BOLT DIN931 M10x25x1.25	6
005	101.10000.66	WASHER DIN125 Ø10	6
006	65.03216.00	COUPLING	1
007	65.03214.00	FLY WHEEL ENGINE	1

## ENGINE ECHAPPEMENT

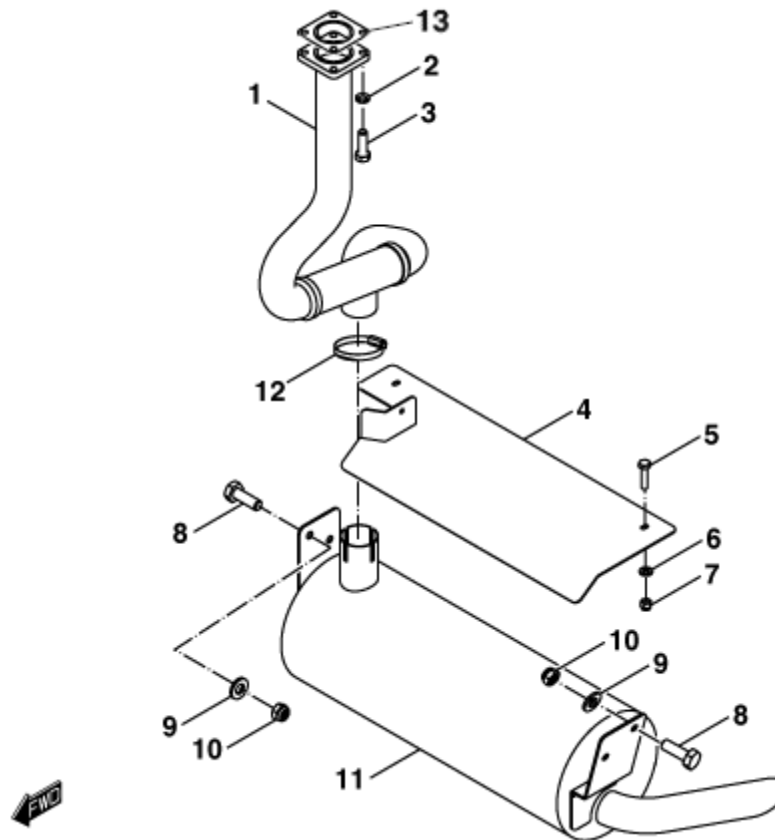


FIGURE	REFERENCE	DENOMINATION	AMOUNT
001	32.02022.00	FLEXIBLE MUFFLER	1
002	104.08000.00	WASHER DIN7980 Ø8	4
003	603.08025.86	BOLT DIN933 M8x25	4
004	32.02023.00	GUARD MUFFLER 570X202X81	1
005	603.06025.86	BOLT DIN933 M6x25	2
006	101.06000.66	WASHER DIN125 Ø6	2
007	711.06000.66	NUT DIN982 M6	2
008	603.10030.86	BOLT DIN933 M10x30	4
009	101.10000.66	WASHER DIN125 Ø10	4
010	711.10000.66	NUT DIN982 M10x1,5	4
011	32.02021.00	MARMITA MUFFLER	1
012	935.51055.66	HOSE CLAMP SUPER Ø51-55	1
013	KUT007016420	MUFFLER GASKET	1
014	931.05370.00	CLAMP 5X370	1

## ENGINE FILTRE A AIR

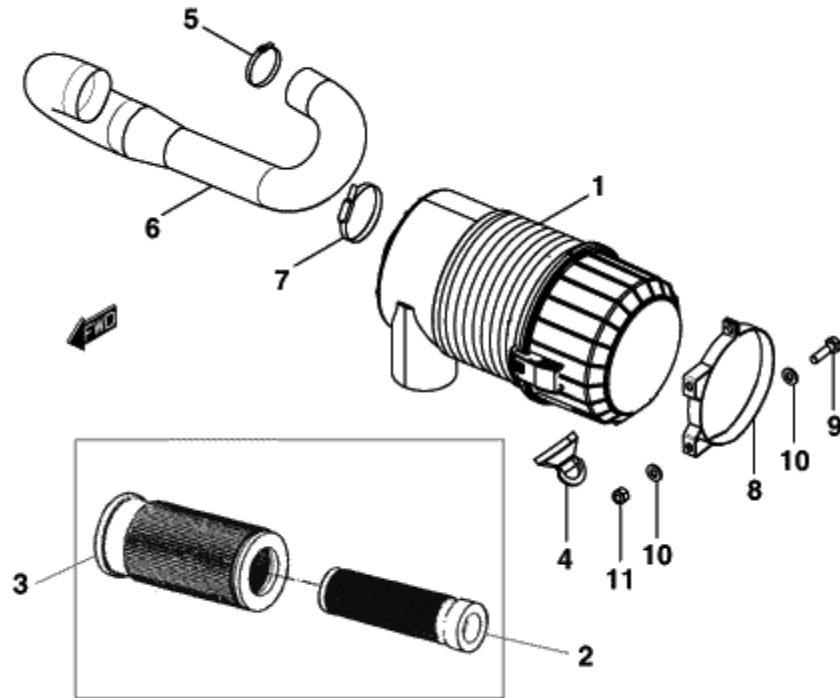


FIGURE	REFERENCE	DENOMINATION	AMOUNT
001	43.01210.00	FILTER, COMP. AIR	1
002	43.01214.00	FILTER ELEMENT 60x80x318	1
003	43.01213.00	FILTER ELEMENT 8x140x320	1
004	43.50119.00	INDICATOR, AIR FILTER	1
005	912.40060.66	HOSE CLAMP Ø40-60	1
006	32.02030.00	ADMISSION TUBE Ø83xØ64x523	1
007	912.70090.66	HOSE CLAMP Ø70-90	1
008	43.01211.00	HOSE CLAMP	1
009	604.08030.86	BOLT DIN931 M8x30	2
010	101.08000.66	WASHER DIN125 Ø8	4
011	711.08000.66	NUT DIN982 M8	2



## ENGINE

### RÉSERVOIR DE CARBURANT (PARTIE 1)

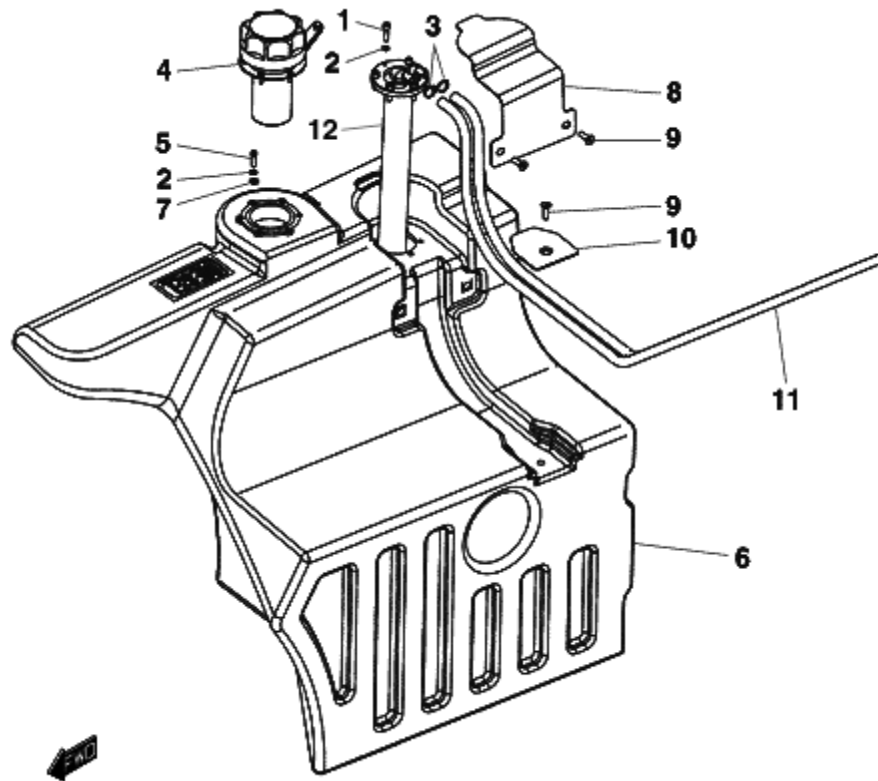


FIGURE	REFERENCE	DENOMINATION	AMOUNT
001	601.05020.86	HEXAGON SOCKET HEAD SCREW DIN912 M5x20	6
002	104.05000.00	WASHER DIN7980 Ø5	12
003	912.08016.66	HOSE CLAMP DIN3017 Ø8-16	8
004	30.02042.00	CAP. THEFT PROOF TANK	1
005	601.05015.86	HEXAGON SOCKET HEAD SCREW DIN912 M5x15	6
006	32.02040.00	FUEL TANK	1
007	101.05000.66	WASHER DIN125 Ø5	6
008	32.02043.00	GUARD FUEL TANK TUBE 245X130	1
009	618.06020.86	FLAT HEAD SOCKET CAP SCREW DIN7991 M6x20	3
010	32.02044.00	GUARD FUEL TANK TUBE 94X30X2	1
011	469.03014.00	HOSE, L/P MAT. 8x14	2
012	32.11008.00	FUEL LEVEL 460 MM	1

# ENGINE

## RÉSERVOIR DE CARBURANT (PARTIE 2)

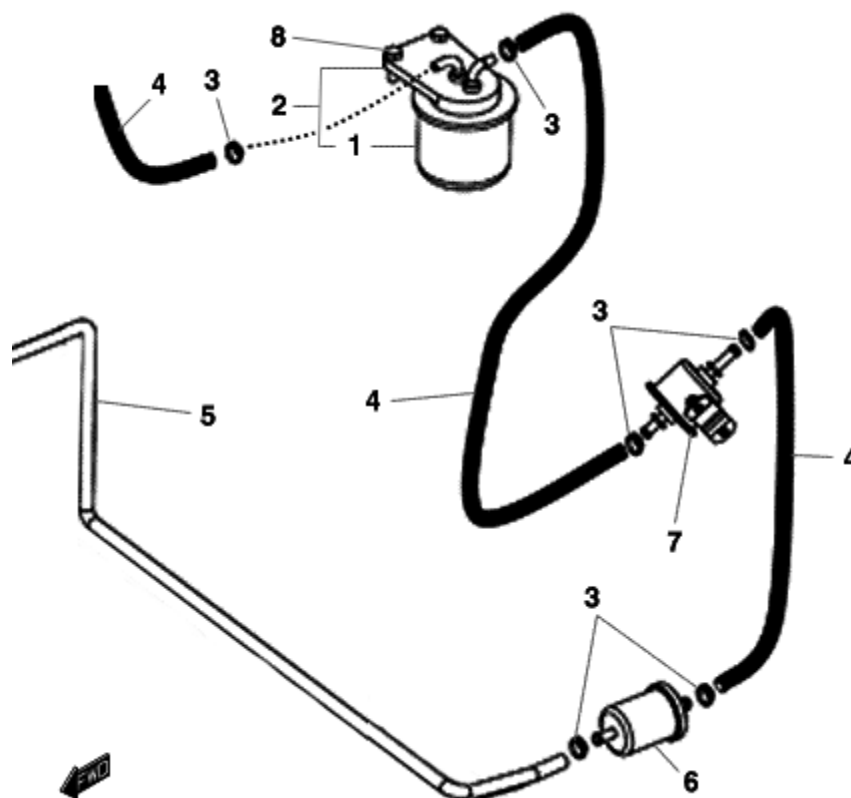


FIGURE	REFERENCE	DENOMINATION	AMOUNT
001	DN000002	ELEMENT, FILTER	1
002	DN000002	ASSY FILTER, FUEL	1
003	912.08016.66	HOSE CLAMP DIN3017 Ø8-16	6
004	469.03014.00	HOSE, L/P MAT. 8x14	3
005	469.03014.00	HOSE, L/P MAT. 8x14	1
006	MN000017	PRE-FILTER, FUEL	1
007	KURC60151351	ELECTRIC FUEL PUMP	1
008	603.08025.86	BOLT DIN933 M8x25	2