



PARTS MANUAL

MAINTENANCE FILTERS KIT



FIGURE	REFERENCE	DENOMINATION	AMOUNT
001	KF.33000RE00	FILTER KIT T 266 H	1
002	461.00031.00	TELEHANDLER ARM GREASE	1

ENGINE

ENGINE KUBOTA

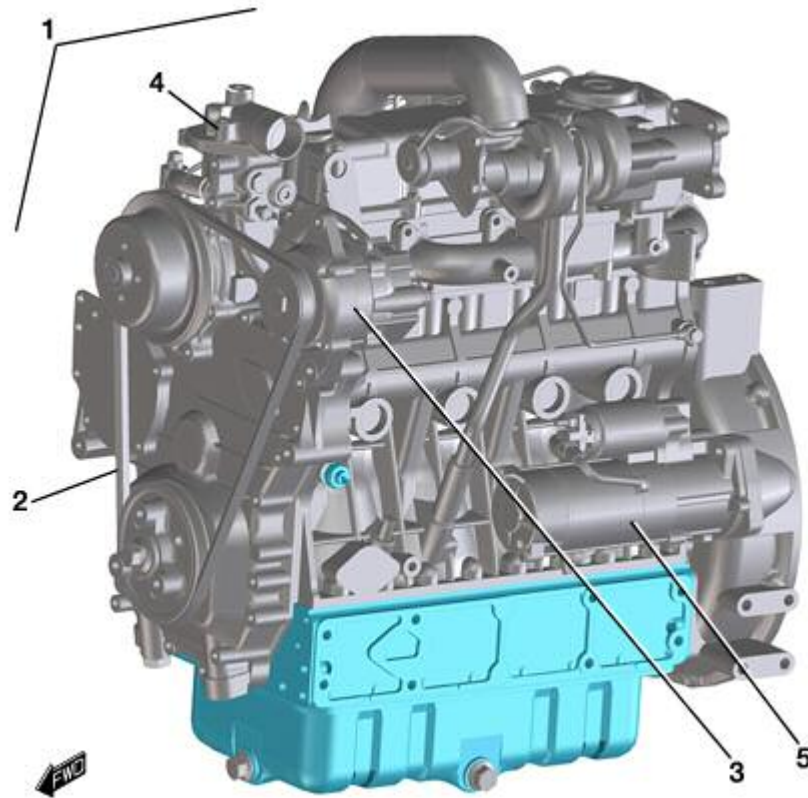


FIGURE	REFERENCE	DENOMINATION	AMOUNT
001	33.02200.00	KUBOTA DIESEL ENGINE V3600-T	1
003	KU1G95397010	BELT	1
003	KU1640464012	ALTERNATOR	1
004	32.11036.00	WATER TEMPERATURE SENSOR	1
005	KU1712363016	STARTER	1

ENGINE FAN

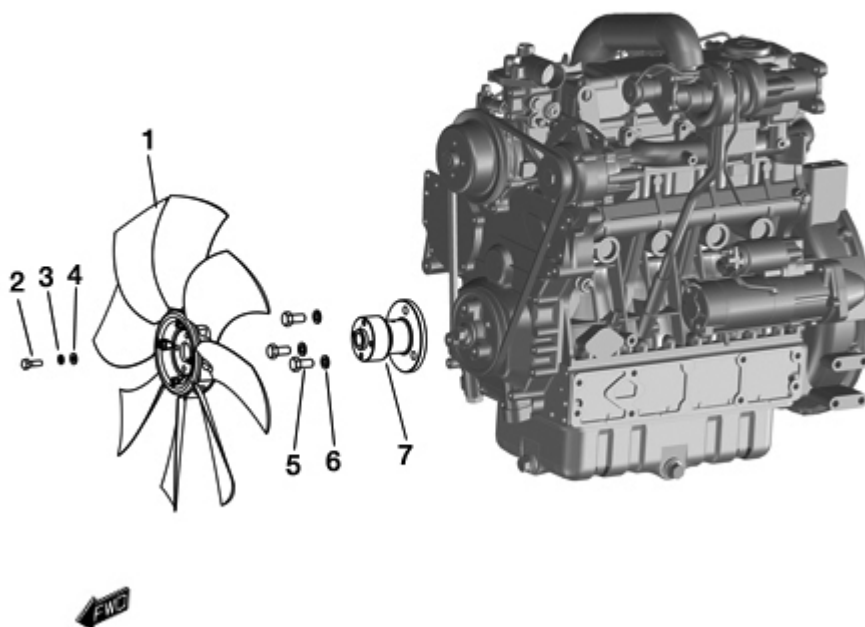


FIGURE	REFERENCE	DENOMINATION	AMOUNT
001	33.02011.00	FAN Ø500X8	1
002	603.08025.86	BOLT DIN933 M8x25	4
003	104.08000.00	WASHER DIN7980 Ø8	4
004	112.08000.66	WASHER DIN9021 Ø8	4
005	620.12035.86	screw DIN961 M12X35X1.25	3
006	104.12000.00	WASHER DIN7980 Ø12	3
007	33.02010.00	FAN SUPPORT Ø108X99	1

ENGINE

ACOUPLEMENT POMPE

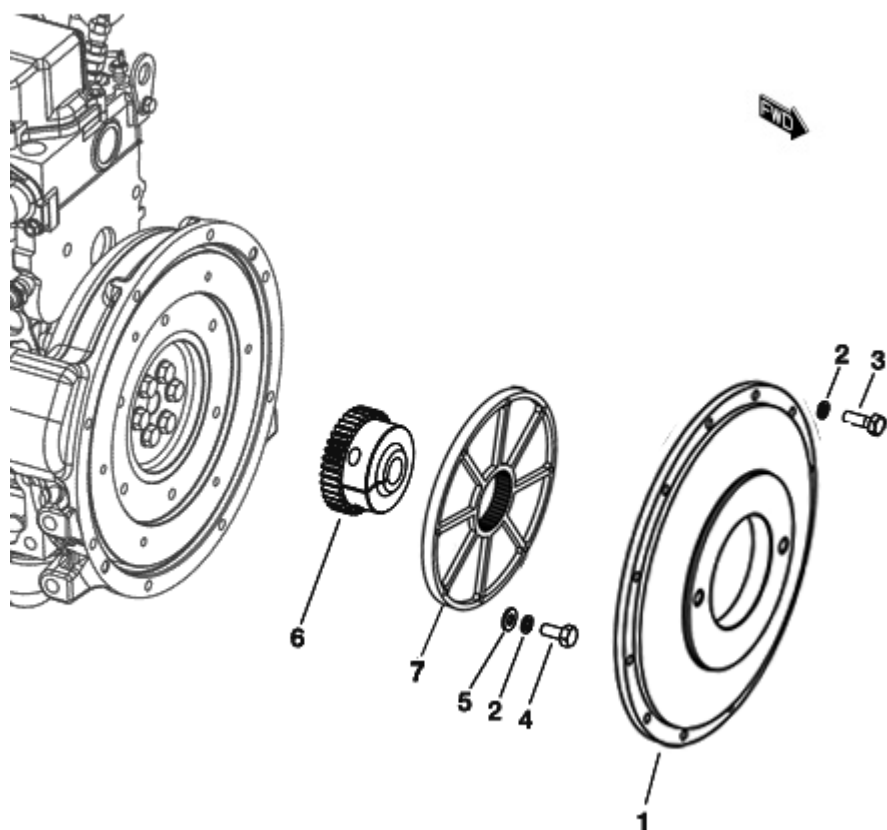


FIGURE	REFERENCE	DENOMINATION	AMOUNT
001	57.02091.01	coupling	1
002	104.10000.00	WASHER DIN7980 Ø10	14
003	633.10025.86	BOLT DIN912 M10x1.25x25	12
004	617.10035.86	BOLT DIN931 M10x1,25x35	12
006	33.03022.00	ACOP. DEN/DEN	1
007	33.03021.00	COVER SAE 4 - SAE B	1

ENGINE ECHAPPEMENT

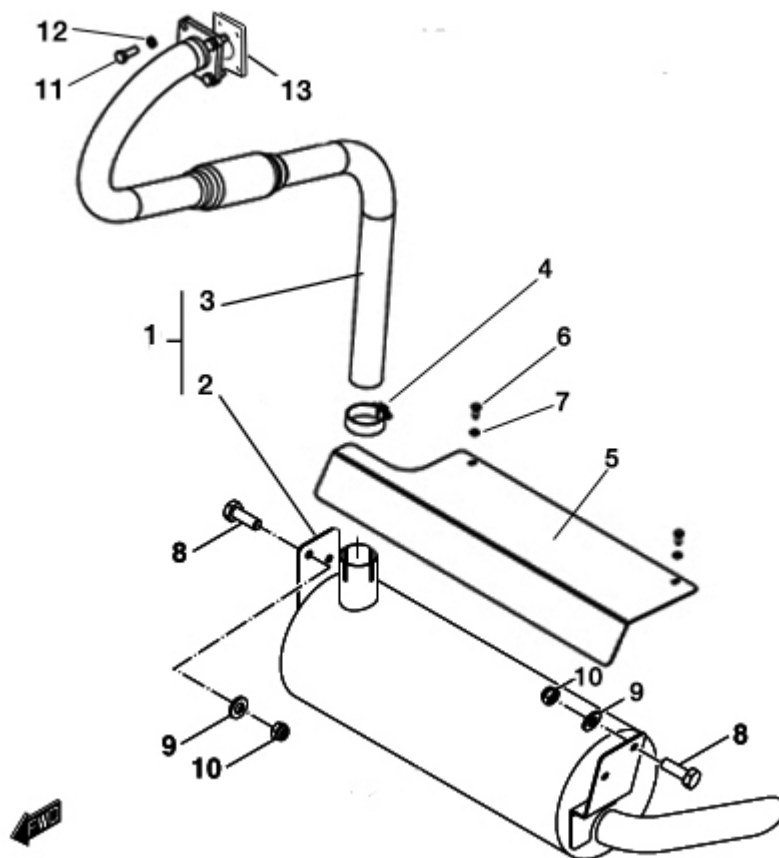


FIGURE	REFERENCE	DENOMINATION	AMOUNT
002	33.02021.00	SILENCER	1
003	33.02022.00	FLEXIBLE Ø50	1
003	603.08025.86	BOLT DIN933 M8x25	4
004	935.51055.66	HOSE CLAMP SUPER Ø51-55	1
005	603.06025.86	BOLT DIN933 M6x25	2
006	603.06015.86	BOLT DIN933 M6x15	2
007	711.06000.66	NUT DIN982 M6	2
008	603.10030.86	BOLT DIN933 M10x30	4
009	101.10000.66	WASHER DIN125 Ø10	4
010	711.10000.66	NUT DIN982 M10x1,5	4
011	617.10035.86	BOLT DIN931 M10x1,25x35	4
012	104.10000.00	WASHER DIN7980 Ø10	4
013	KUT007016420	MUFFLER GASKET	1
014	931.05370.00	CLAMP 5X370	1

ENGINE

RÉSERVOIR DE CARBURANT (PARTIE 1)

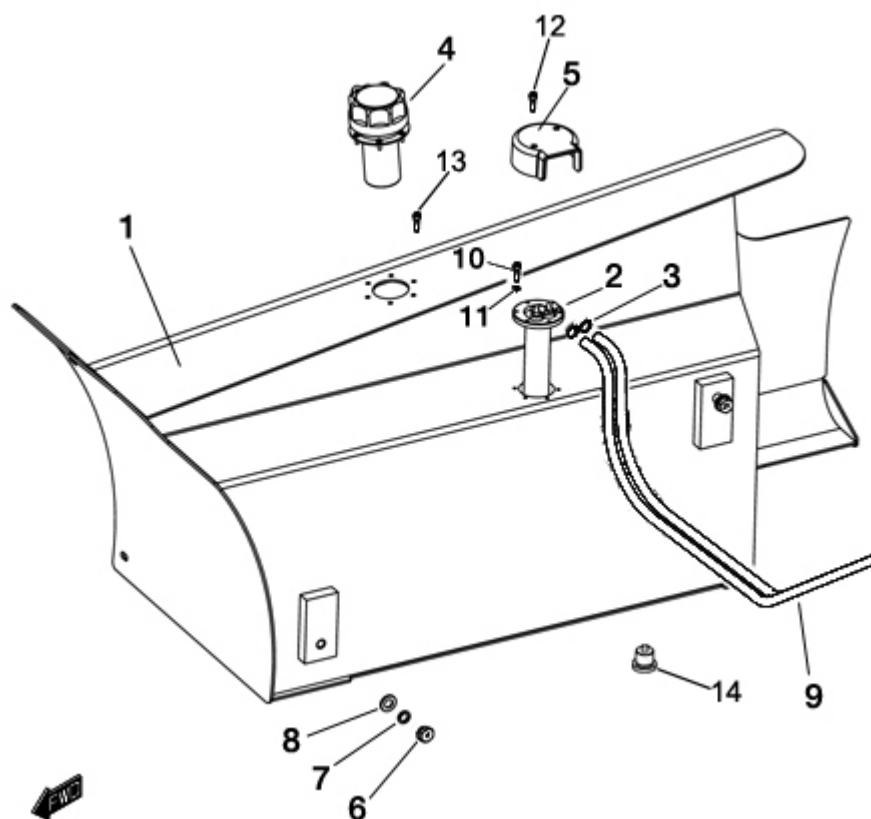


FIGURE	REFERENCE	DENOMINATION	AMOUNT
001	33.02040.00	FUEL TANK	1
002	46.02048.00	GAS-OIL LEVEL	1
003	912.08016.66	HOSE CLAMP DIN3017 Ø8-16	2
004	30.02042.00	CAP. THEFT PROOF TANK	1
005	46.10059.00	FUEL LEVEL PROTECTOR	1
006	701.12000.66	NUT DIN934 M12x1,75	2
007	104.12000.00	WASHER DIN7980 Ø12	2
008	112.08000.66	WASHER DIN9021 Ø8	2
009	469.03014.00	HOSE, L/P MAT. 8x14	2
010	615.04020.86	BOLT DIN84 M4x20	6
011	104.04000.00	WASHER DIN7980 Ø4	6
012	615.04050.66	BOLT DIN84 M4x50	2
013	615.05015.86	SCREW DIN84 M5X18	6
014	10.00921.00	CAP M14x150 DIN 908	1

ENGINE

RÉSERVOIR DE CARBURANT (PARTIE 2)

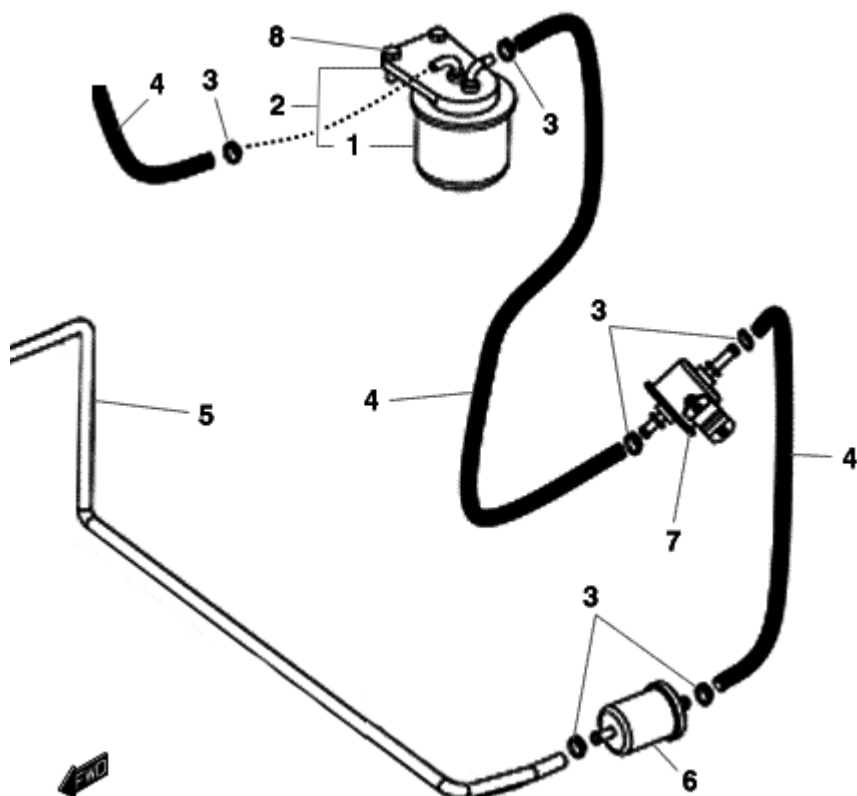


FIGURE	REFERENCE	DENOMINATION	AMOUNT
001	KU1522143170	ELEMENT, FILTER	1
002	KU1522443010	ASSY FILTER, FUEL	1
003	912.08016.66	HOSE CLAMP DIN3017 Ø8-16	6
004	469.03014.00	HOSE, L/P MAT. 8x14	3
005	469.03014.00	HOSE, L/P MAT. 8x14	1
006	KU1258143012	ASSY FILTER, FUEL	1
007	KURC60151351	ELECTRIC FUEL PUMP	1
008	603.08025.86	BOLT DIN933 M8x25	2

ENGINE

PÉDALE ACCELERATEUR

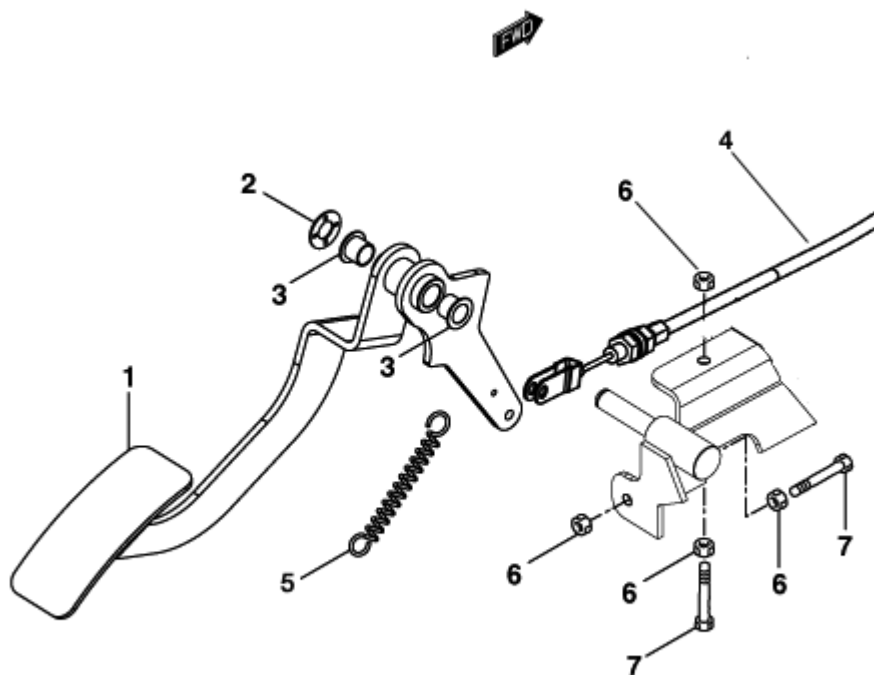


FIGURE	REFERENCE	DENOMINATION	AMOUNT
001	32.08180.00	PEDAL, ACCELERATOR (289X242X112)	1
002	32.08175.00	WASHER PEDAL GAS	1
003	959.01212.00	BUSHING, BRONZE Ø12	2
004	46.02042.00	ACCEL. CABLE	1
005	45.00139.00	SPRING TENSION (HATZ)	1
006	701.06000.66	NUT DIN934 M6x1	4
007	603.06030.86	BOLT DIN933 M6x30	2

ENGINE RADIATOR

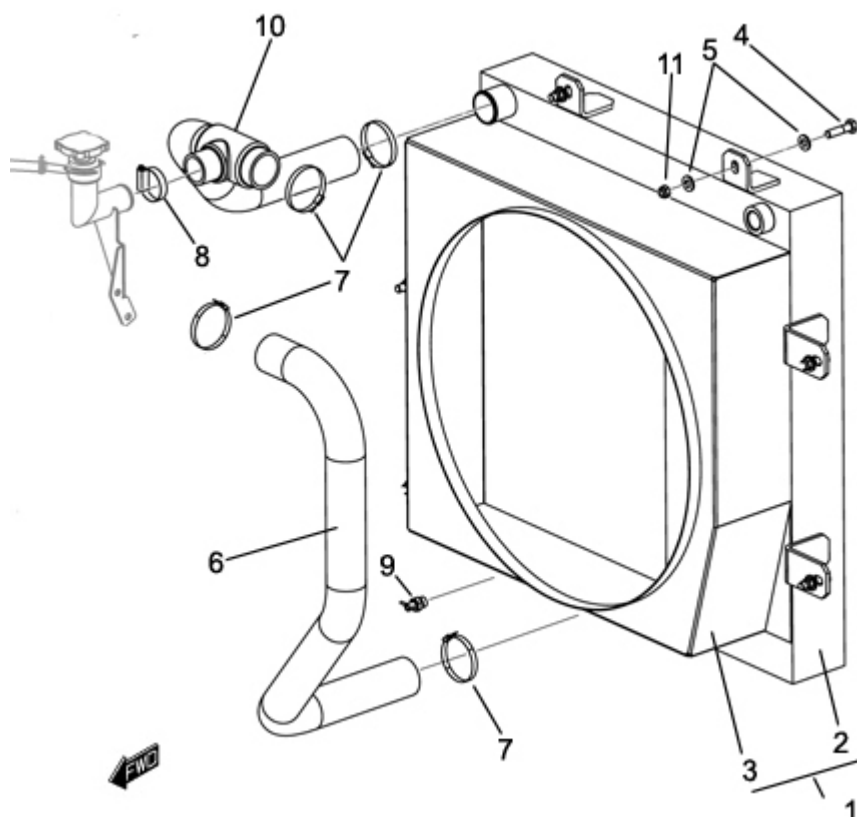


FIGURE	REFERENCE	DENOMINATION	AMOUNT
001	33.02050.00	COMPLET OIL-WATER RADIATOR	1
002	33.02051.00	RADIATOR	1
003	33.02052.00	CASING COOLER	1
004	604.10045.86	BOLT DIN931 M10x45	6
005	101.10000.66	WASHER DIN125 Ø10	4
006	33.02059.00	MET. TUBE D35 71X72 TAPON	1
007	912.40060.66	HOSE CLAMP Ø40-60	4
008	912.30045.00	HOSE CLAMP Ø30-45	1
009	33.02051.00	RADIATOR	1
010	33.02056.00	RUBBER TUBE B/P Ø54XØ45X35	1
011	711.10000.66	NUT DIN982 M10x1,5	4
012	33.02054.00	TUBE B/P Ø54XØ45	1
013	32.02151.00	RADIATOR CAP	1
014	912.08016.66	HOSE CLAMP DIN3017 Ø8-16	1