



# **PARTS MANUAL**

**ENGINE**  
**ENGINE**

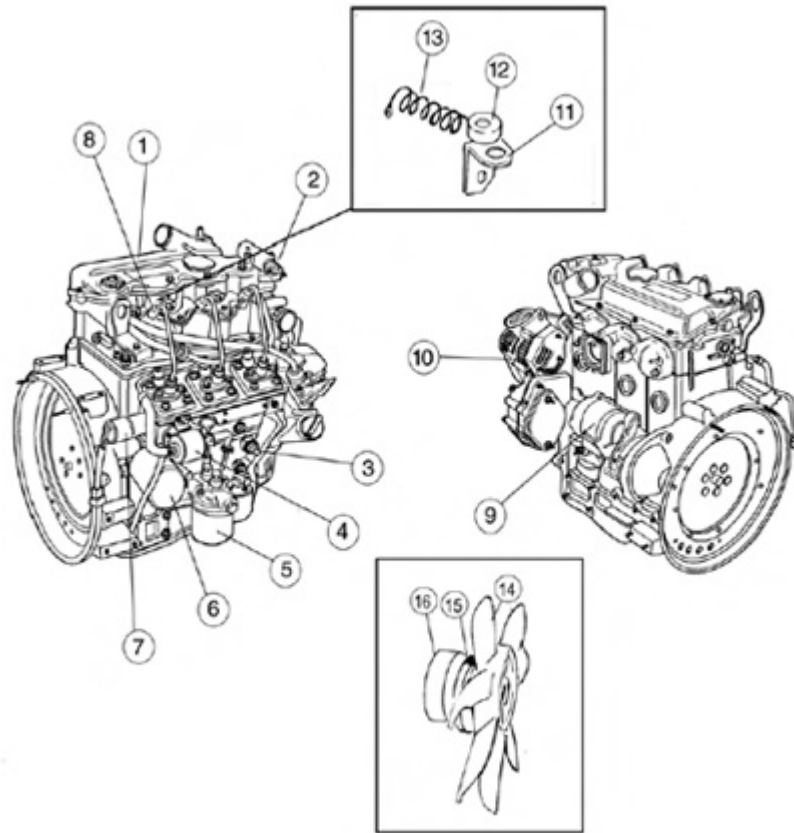


FIGURE	REFERENCE	DENOMINATION	AMOUNT
001	43.10101.03	DIESEL ENGINE	1
002	IZ.10008.00	THERMOCONTACT	1
003	IZ.10009.00	MONOCONTACTO ACEITE	1
004	86.70000.07	BRAKE CYLINDER	1
005	05.60410MI07	FILTER FUEL	1
006	86.70000.04	OIL FILTER	1
007	86.70000.03	CALENTADOR 3LB1	1
008	86.70000.03	CALENTADOR 3LB1	1
009	86.70000.02	STARTER ENGINE	1
010	IZ.10001.00	GENERATOR	1
011	45.04210.00	STRIGHT SUPPORT	1
012	43.02115.00	RESISTOR	1
013	45.04545.00	ELECTRICAL CABLE	1
014	86.80000.26	FAN	1
015	IZ8970634001	SPACER	1
016	55.98913.00	REGUL SKIM	1

# ENGINE

## COUPLINGS AND SUPPORTS

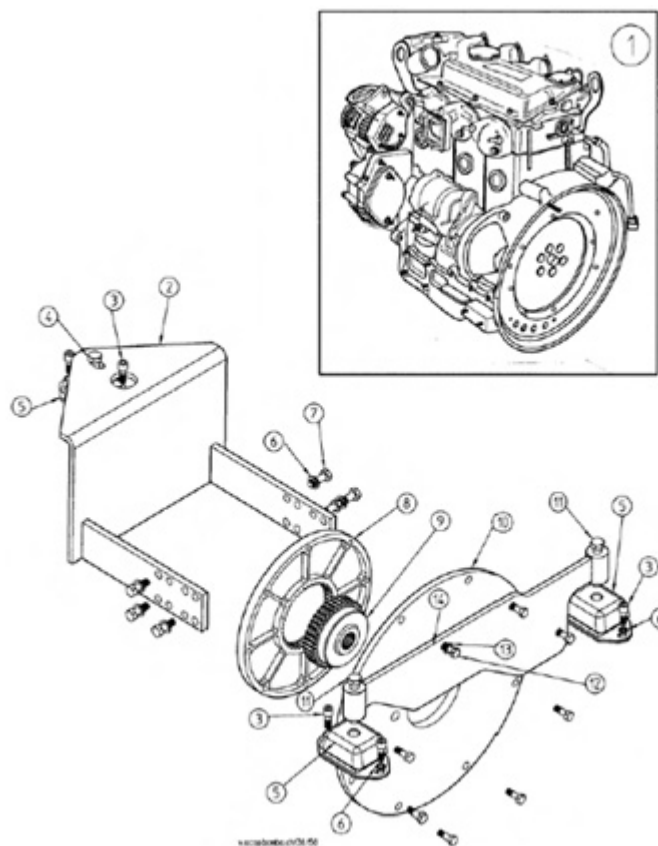


FIGURE	REFERENCE	DENOMINATION	AMOUNT
001	43.10101.03	DIESEL ENGINE	1
002	10.02463.00	ENGINE SUPPORT	1
003	601.10020.86	SCREW DIN912	6
004	604.12030.86	SCREW DIN931	1
005	10.02060.00	SHOCK ABSORVER	3
006	104.10000.00	CIR-CLIP EXT. DIN7980	18
007	604.10030.86	SCREW DIN931	12
008	62.20912.00	COUPLING CYL/GEA	1
009	63.01002.00	COUPLING GEA/GEA	1
010	63.01003.00	COUPLING CYL/CYL	1
011	604.12065.86	SCREW DIN931	2
012	603.08025.86	SCREW DIN933	8
013	104.08000.00	CIR-CLIP EXT. DIN7980	8
014	10.02460.00	ENGINE SUPPORT	1

# ENGINE EXHAUST PIPE

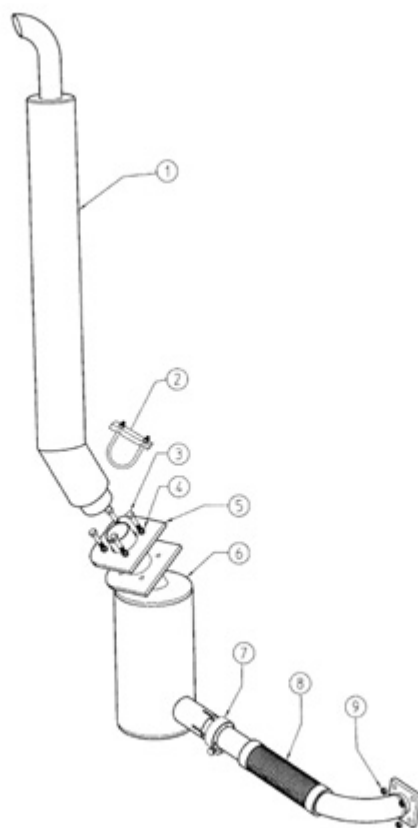


FIGURE	REFERENCE	DENOMINATION	AMOUNT
001	10.02150.01	MUFFLER	1
002	936.53000.66	CLAMP	1
003	603.08040.86	SCREW DIN933	4
004	104.08000.00	CIR-CLIP EXT. DIN7980	4
005	10.02321.00	STRIP SUPPORT	1
006	10.02320.02	MUFFLER	1
007	935.47051.66	CLAMP	1
008	10.02275.01	EXHAUST MANIFOLD	1
009	701.08000.66	NUT	4

# ENGINE

## AIR FILTER

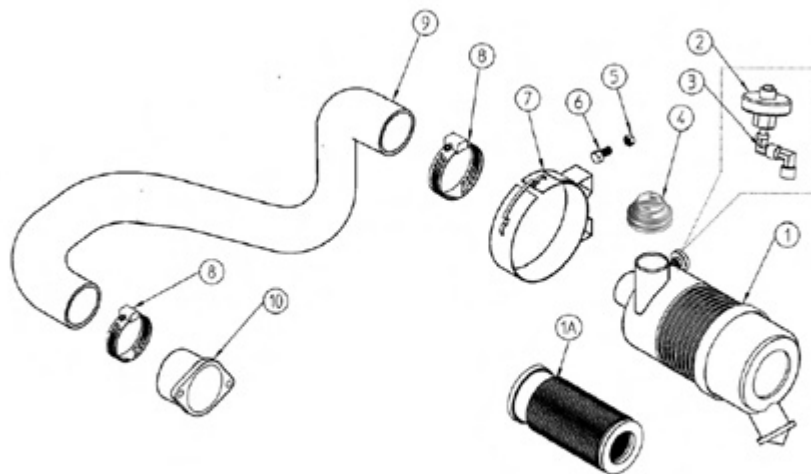


FIGURE	REFERENCE	DENOMINATION	AMOUNT
001	45.01200.10	AIR FILTER	1
002	43.50119.00	INDICATOR	1
003	10.02144.00	ELBOW C90M/H NIPPLE	2
004	70.02067.00	ADMISSION TUBE	1
005	701.08000.66	NUT	2
006	603.08025.86	SCREW DIN933	2
007	45.01201.11	CLAMP	1
008	904.57000.00	RING 0,5 MM.	2
009	10.02360.00	HOSE RUBBER B/P	1
010	10.02069.00	TUBO ADMISION D50X2X69	1
1A	45.01204.00	FILTER ELEMENT	1

# ENGINE RADIATOR

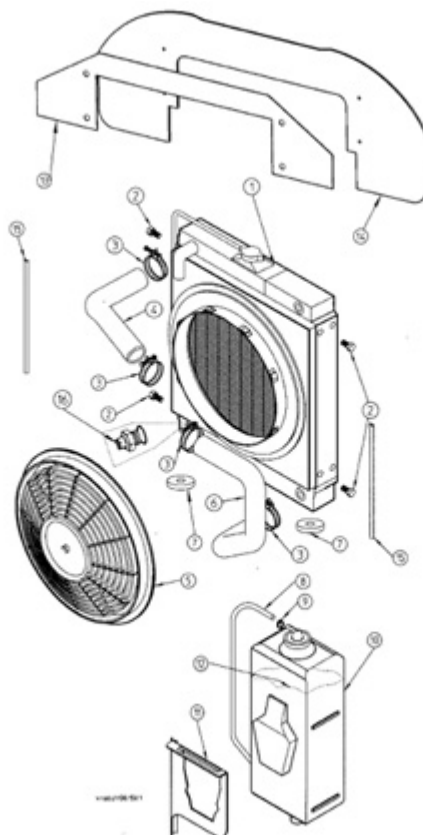


FIGURE	REFERENCE	DENOMINATION	AMOUNT
001	10.02103.00	RADIATOR	1
002	603.06015.86	SCREW DIN933	4
003	912.30045.00	CLAMP	4
004	10.02280.00	HOSE RUBBER B/P	1
005	10.02101.01	FAN	1
006	10.02290.00	HOSE RUBBER B/P	1
007	10.02760.00	CASQUILLO GOMA 35X11X6	2
008	43.00750.00	TUBO PLAS. TRANS. 6x9x670	1
009	912.08016.66	CLAMP DIN3017	4
010	86.80000.09	VASO EXPANSOR	1
011	43.75921.00	3LD1 BRACKET SURGE TANK	1
012	45.00075.00	COOLAND FLUID	1
013	10.00231.01	SOP. PAS. REC. 2X195X810	1
014	10.00230.01	GUARD	1
015	472.00411.00	RUBBER PROFILE MAT.	2
016	10.02104.00	THERMOCONTACT	1

# TRANSMISSION FRONT AXLE

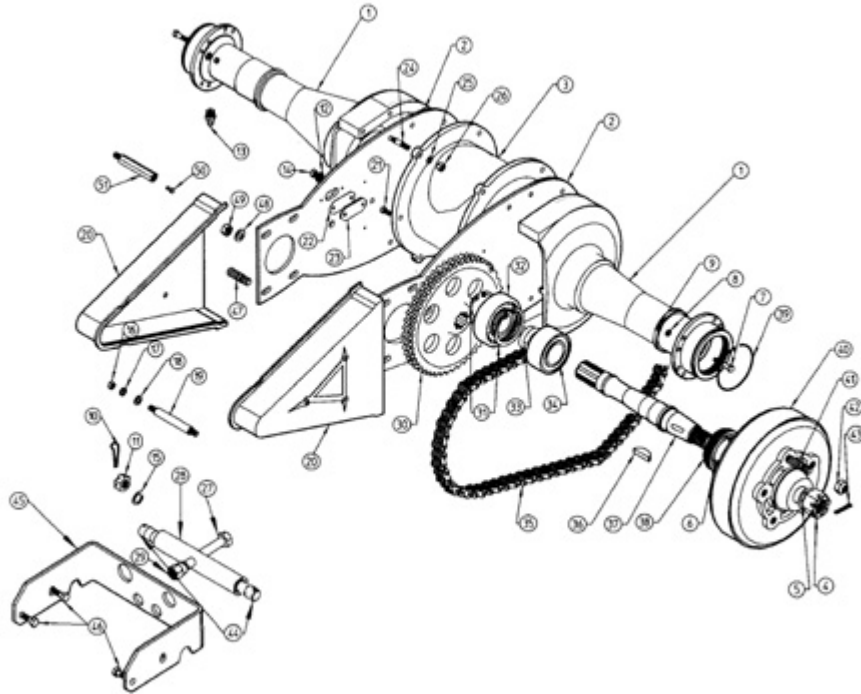


FIGURE	REFERENCE	DENOMINATION	AMOUNT
001	10.00400.01	ASCLE HOUSING	2
002	01.00432.01	PLATE	2
003	09.00426.00	SEPARATOR CASING	1
004	01.01319.00	NUT	2
005	101.30000.66	WASHER DIN125	2
006	202.45007.50	SEAL DIN3760	2
007	43.08034.00	SCREW DIN912*	12
008	104.08000.00	CIR-CLIP EXT. DIN7980	16
009	711.08000.66	NUT	16
010	401.25030.60	PIN	2
011	01.01312.00	NUT	2
012	104.06000.00	CIR-CLIP EXT. DIN7980	4
013	901.08000.33	GREASER DIN71412-A	2
014	603.06015.86	SCREW DIN933	4
015	101.14000.66	WASHER DIN125	4
016	701.08000.66	NUT	6
017	104.08000.00	CIR-CLIP EXT. DIN7980	6
018	101.08000.66	WASHER DIN125	6

# TRANSMISSION

## FRONT AXLE

FIGURE	REFERENCE	DENOMINATION	AMOUNT
019	00.01307.02	AXLE ROS/ROS	6
020	00.00420.00	GUARD TRANS.	2
021	603.09030.86	SCREW DIN933	2
022	00.00430.00	PAPER GASKET	2
023	00.00427.00	COVER HANDHOLE	2
024	00.00412.00	STUD DIN939*	14
025	104.10000.00	CIR-CLIP EXT. DIN7980	14
026	01.01303.00	NUT	16
027	603.10080.86	SCREW DIN933	1
028	00.00422.00	TENSIONER	1
029	01.00425.00	NUT	1
030	02.00411.00	GEAR z48	2
031	905.80000.00	RING 0,5 MM.	4
032	306.40018.00	BEARING DIN5412	2
033	02.00415.00	NUT	2
034	304.45302.00	BEARING DIN628	2
035	00.00402.01	CHAIN	2
036	02.00519.01	FEATHER DIN6888 KEY	2
037	10.00414.00	DRIVE SHAFT	2
038	02.00417.00	NUT	2
039	02.00419.00	RING 0,5 MM.	2
040	02.00518.04	BRAKE DRUMP	2
041	10.00587.01	STUD DIN940	10
042	45.00588.00	NUT	10
043	401.04050.60	PIN	2
044	02.32018.00	CAP	2
045	10.13185.00	SOP. GUIA TUBO 52X130X185	1
046	603.06015.86	SCREW DIN933	4
046	603.06015.86	SCREW DIN933	4
047	01.00383.01	STUD DIN939*	8
047	01.00383.01	STUD DIN939*	8
047	01.00383.01	STUD DIN939*	8
047	01.00383.01	STUD DIN939*	8
047	01.00383.01	STUD DIN939*	8
048	01.00345.00	WASHER DIN1441*	8
048	01.00345.00	WASHER DIN1441*	8



**TRANSMISSION  
FRONT AXLE**

FIGURE	REFERENCE	DENOMINATION	AMOUNT
048	01.00345.00	WASHER DIN1441*	8
048	01.00345.00	WASHER DIN1441*	8
049	00.00130.00	NUT	8
049	00.00130.00	NUT	8
049	00.00130.00	NUT	8
049	00.00130.00	NUT	8
049	00.00130.00	NUT	8
049	00.00130.00	NUT	8
049	00.00130.00	NUT	8
050	618.06020.86	SCREW DIN7991	1
050	618.06020.86	SCREW DIN7991	1
050	618.06020.86	SCREW DIN7991	1
050	618.06020.86	SCREW DIN7991	1
050	618.06020.86	SCREW DIN7991	1
050	618.06020.86	SCREW DIN7991	1
050	618.06020.86	SCREW DIN7991	1
051	39.01307.00	STUD	1
051	39.01307.00	STUD	1
051	39.01307.00	STUD	1
051	39.01307.00	STUD	1
051	39.01307.00	STUD	1
051	39.01307.00	STUD	1
051	39.01307.00	STUD	1

# TRANSMISSION REDUCTOR SUPPORT

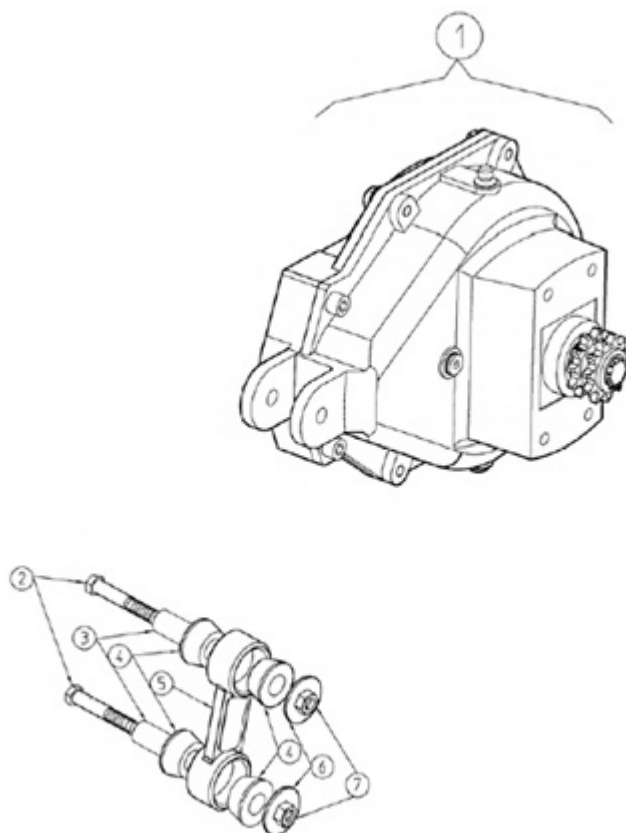


FIGURE	REFERENCE	DENOMINATION	AMOUNT
001	10.00190.01	CAJA. REDUCTORA COMP. CH130/15	1
001	10.00190.01	CAJA. REDUCTORA COMP. CH130/15	1
001	10.00190.01	CAJA. REDUCTORA COMP. CH130/15	1
001	10.00190.01	CAJA. REDUCTORA COMP. CH130/15	1
001	10.00190.01	CAJA. REDUCTORA COMP. CH130/15	1
001	10.00190.01	CAJA. REDUCTORA COMP. CH130/15	1
001	10.00190.01	CAJA. REDUCTORA COMP. CH130/15	1
002	604.14080.86	SCREW DIN931	2
002	604.14080.86	SCREW DIN931	2
002	604.14080.86	SCREW DIN931	2
002	604.14080.86	SCREW DIN931	2
002	604.14080.86	SCREW DIN931	2
002	604.14080.86	SCREW DIN931	2
002	604.14080.86	SCREW DIN931	2
003	15.00114.01	BUSH	2
003	15.00114.01	BUSH	2
003	15.00114.01	BUSH	2
003	15.00114.01	BUSH	2



**TRANSMISSION  
REDUCTOR SUPPORT**

FIGURE	REFERENCE	DENOMINATION	AMOUNT
003	15.00114.01	BUSH	2
003	15.00114.01	BUSH	2
003	15.00114.01	BUSH	2
004	15.00113.00	SHOCK ABSORVER	4
004	15.00113.00	SHOCK ABSORVER	4
004	15.00113.00	SHOCK ABSORVER	4
004	15.00113.00	SHOCK ABSORVER	4
004	15.00113.00	SHOCK ABSORVER	4
004	15.00113.00	SHOCK ABSORVER	4
004	15.00113.00	SHOCK ABSORVER	4
004	15.00113.00	SHOCK ABSORVER	4
005	01.00112.10	TIE ROD	1
005	01.00112.10	TIE ROD	1
005	01.00112.10	TIE ROD	1
005	01.00112.10	TIE ROD	1
005	01.00112.10	TIE ROD	1
005	01.00112.10	TIE ROD	1
005	01.00112.10	TIE ROD	1
006	37.00374.00	CIR-CLIP INT. DIN9021*	2
006	37.00374.00	CIR-CLIP INT. DIN9021*	2
006	37.00374.00	CIR-CLIP INT. DIN9021*	2
006	37.00374.00	CIR-CLIP INT. DIN9021*	2
006	37.00374.00	CIR-CLIP INT. DIN9021*	2
006	37.00374.00	CIR-CLIP INT. DIN9021*	2
006	37.00374.00	CIR-CLIP INT. DIN9021*	2
007	711.14000.66	NUT	2
007	711.14000.66	NUT	2
007	711.14000.66	NUT	2
007	711.14000.66	NUT	2
007	711.14000.66	NUT	2
007	711.14000.66	NUT	2
007	711.14000.66	NUT	2

# TRANSMISSION REDUCTOR AND DIFFERENTIAL

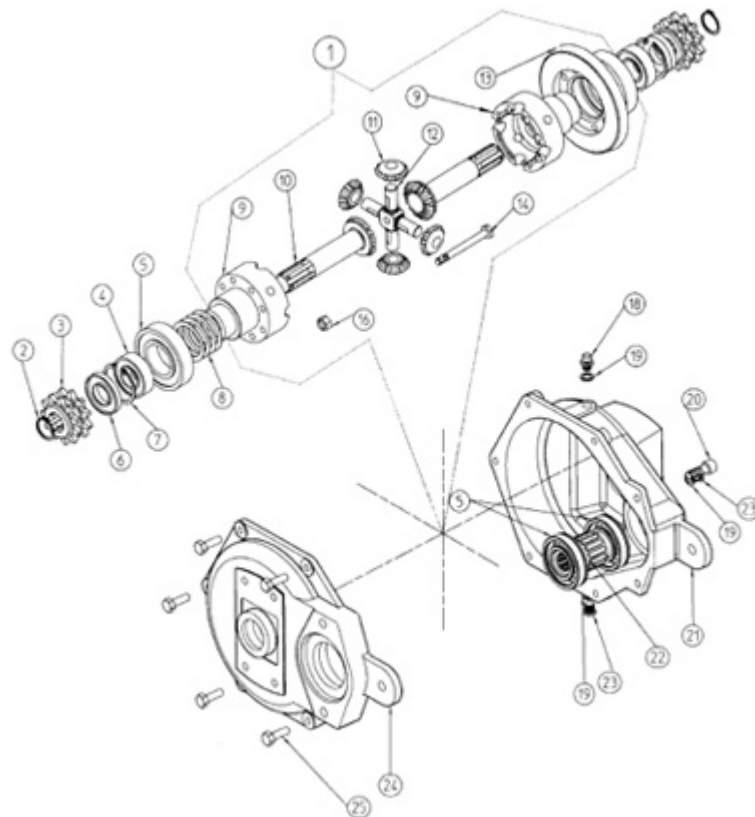


FIGURE	REFERENCE	DENOMINATION	AMOUNT
001	01.00302RE02	DIFFERENTIAL	1
001	01.00302RE02	DIFFERENTIAL	1
001	01.00302RE02	DIFFERENTIAL	1
001	01.00302RE02	DIFFERENTIAL	1
001	01.00302RE02	DIFFERENTIAL	1
001	01.00302RE02	DIFFERENTIAL	1
001	01.00302RE02	DIFFERENTIAL	1
002	904.25000.00	RING 0,5 MM.	2
002	904.25000.00	RING 0,5 MM.	2
002	904.25000.00	RING 0,5 MM.	2
002	904.25000.00	RING 0,5 MM.	2
002	904.25000.00	RING 0,5 MM.	2
002	904.25000.00	RING 0,5 MM.	2
002	904.25000.00	RING 0,5 MM.	2
003	02.00385.02	GEAR z11-11	2
003	02.00385.02	GEAR z11-11	2
003	02.00385.02	GEAR z11-11	2
003	02.00385.02	GEAR z11-11	2

# TRANSMISSION REDUCTOR AND DIFFERENTIAL

FIGURE	REFERENCE	DENOMINATION	AMOUNT
003	02.00385.02	GEAR z11-11	2
003	02.00385.02	GEAR z11-11	2
003	02.00385.02	GEAR z11-11	2
004	301.25015.01	BEARING DIN625	4
004	301.25015.01	BEARING DIN625	4
004	301.25015.01	BEARING DIN625	4
004	301.25015.01	BEARING DIN625	4
004	301.25015.01	BEARING DIN625	4
004	301.25015.01	BEARING DIN625	4
004	301.25015.01	BEARING DIN625	4
004	301.25015.01	BEARING DIN625	4
005	301.40018.00	BEARING DIN625	4
005	301.40018.00	BEARING DIN625	4
005	301.40018.00	BEARING DIN625	4
005	301.40018.00	BEARING DIN625	4
005	301.40018.00	BEARING DIN625	4
005	301.40018.00	BEARING DIN625	4
005	301.40018.00	BEARING DIN625	4
006	202.25008.50	SEAL DIN3760	2
006	202.25008.50	SEAL DIN3760	2
006	202.25008.50	SEAL DIN3760	2
006	202.25008.50	SEAL DIN3760	2
006	202.25008.50	SEAL DIN3760	2
006	202.25008.50	SEAL DIN3760	2
006	202.25008.50	SEAL DIN3760	2
007	905.52000.00	RING 0,5 MM.	2
007	905.52000.00	RING 0,5 MM.	2
007	905.52000.00	RING 0,5 MM.	2
007	905.52000.00	RING 0,5 MM.	2
007	905.52000.00	RING 0,5 MM.	2
007	905.52000.00	RING 0,5 MM.	2
007	905.52000.00	RING 0,5 MM.	2
008	01.03902.00	WASHER ADJUST.	1
008	01.03902.00	WASHER ADJUST.	1
008	01.03902.00	WASHER ADJUST.	1
008	01.03902.00	WASHER ADJUST.	1
008	01.03902.00	WASHER ADJUST.	1



**TRANSMISSION  
REDUCTOR AND DIFFERENTIAL**

FIGURE	REFERENCE	DENOMINATION	AMOUNT
008	01.03902.00	WASHER ADJUST.	1
008	01.03902.00	WASHER ADJUST.	1
009	01.03010RE02	DIFFERENTIAL HOUSING	1
009	01.03010RE02	DIFFERENTIAL HOUSING	1
009	01.03010RE02	DIFFERENTIAL HOUSING	1
009	01.03010RE02	DIFFERENTIAL HOUSING	1
009	01.03010RE02	DIFFERENTIAL HOUSING	1
009	01.03010RE02	DIFFERENTIAL HOUSING	1
009	01.03010RE02	DIFFERENTIAL HOUSING	1
010	00.00382.02	GEAR CONICAL	2
010	00.00382.02	GEAR CONICAL	2
010	00.00382.02	GEAR CONICAL	2
010	00.00382.02	GEAR CONICAL	2
010	00.00382.02	GEAR CONICAL	2
010	00.00382.02	GEAR CONICAL	2
010	00.00382.02	GEAR CONICAL	2
010	00.00382.02	GEAR CONICAL	2
011	01.00387.00	GEAR z12	4
011	01.00387.00	GEAR z12	4
011	01.00387.00	GEAR z12	4
011	01.00387.00	GEAR z12	4
011	01.00387.00	GEAR z12	4
011	01.00387.00	GEAR z12	4
011	01.00387.00	GEAR z12	4
012	01.00388.00	AXLES	1
012	01.00388.00	AXLES	1
012	01.00388.00	AXLES	1
012	01.00388.00	AXLES	1
012	01.00388.00	AXLES	1
012	01.00388.00	AXLES	1
012	01.00388.00	AXLES	1
013	10.03002.00	GEAR	1
013	10.03002.00	GEAR	1
013	10.03002.00	GEAR	1
013	10.03002.00	GEAR	1
013	10.03002.00	GEAR	1
013	10.03002.00	GEAR	1



**TRANSMISSION  
REDUCTOR AND DIFFERENTIAL**

FIGURE	REFERENCE	DENOMINATION	AMOUNT
013	10.03002.00	GEAR	1
014	01.00380.00	SCREW DIN931*	8
014	01.00380.00	SCREW DIN931*	8
014	01.00380.00	SCREW DIN931*	8
014	01.00380.00	SCREW DIN931*	8
014	01.00380.00	SCREW DIN931*	8
014	01.00380.00	SCREW DIN931*	8
014	01.00380.00	SCREW DIN931*	8
016	01.01302.00	NUT	8
016	01.01302.00	NUT	8
016	01.01302.00	NUT	8
016	01.01302.00	NUT	8
016	01.01302.00	NUT	8
016	01.01302.00	NUT	8
016	01.01302.00	NUT	8
016	01.01302.00	NUT	8
017	711.08000.66	NUT	1
017	711.08000.66	NUT	1
017	711.08000.66	NUT	1
017	711.08000.66	NUT	1
017	711.08000.66	NUT	1
017	711.08000.66	NUT	1
017	711.08000.66	NUT	1
017	711.08000.66	NUT	1
018	52.00365.00	CAP	1
018	52.00365.00	CAP	1
018	52.00365.00	CAP	1
018	52.00365.00	CAP	1
018	52.00365.00	CAP	1
018	52.00365.00	CAP	1
018	52.00365.00	CAP	1
019	107.14000.10	WASHER AL	3
019	107.14000.10	WASHER AL	3
019	107.14000.10	WASHER AL	3
019	107.14000.10	WASHER AL	3
019	107.14000.10	WASHER AL	3
019	107.14000.10	WASHER AL	3
019	107.14000.10	WASHER AL	3

**TRANSMISSION  
REDUCTOR AND DIFFERENTIAL**

FIGURE	REFERENCE	DENOMINATION	AMOUNT
020	601.10040.86	SCREW DIN912	2
020	601.10040.86	SCREW DIN912	2
020	601.10040.86	SCREW DIN912	2
020	601.10040.86	SCREW DIN912	2
020	601.10040.86	SCREW DIN912	2
020	601.10040.86	SCREW DIN912	2
020	601.10040.86	SCREW DIN912	2
021	10.00192.00	FLANGE	1
021	10.00192.00	FLANGE	1
021	10.00192.00	FLANGE	1
021	10.00192.00	FLANGE	1
021	10.00192.00	FLANGE	1
021	10.00192.00	FLANGE	1
021	10.00192.00	FLANGE	1
021	10.00192.00	FLANGE	1
022	10.03001.00	GEAR	1
022	10.03001.00	GEAR	1
022	10.03001.00	GEAR	1
022	10.03001.00	GEAR	1
022	10.03001.00	GEAR	1
022	10.03001.00	GEAR	1
022	10.03001.00	GEAR	1
023	80.01035.01	CAP	2
023	80.01035.01	CAP	2
023	80.01035.01	CAP	2
023	80.01035.01	CAP	2
023	80.01035.01	CAP	2
023	80.01035.01	CAP	2
023	80.01035.01	CAP	2
024	10.00191.01	COVER 278X382	1
024	10.00191.01	COVER 278X382	1
024	10.00191.01	COVER 278X382	1
024	10.00191.01	COVER 278X382	1
024	10.00191.01	COVER 278X382	1
024	10.00191.01	COVER 278X382	1
024	10.00191.01	COVER 278X382	1
024	10.00191.01	COVER 278X382	1
025	603.10030.86	SCREW DIN933	5
025	603.10030.86	SCREW DIN933	5



025	603.10030.86	SCREW DIN933	5
025	603.10030.86	SCREW DIN933	5
025	603.10030.86	SCREW DIN933	5
025	603.10030.86	SCREW DIN933	5
025	603.10030.86	SCREW DIN933	5

# TRANSMISSION

## POWER TAKE-OFF REDUCTOR BOX CH 130 X 4 -CH 150 X 4

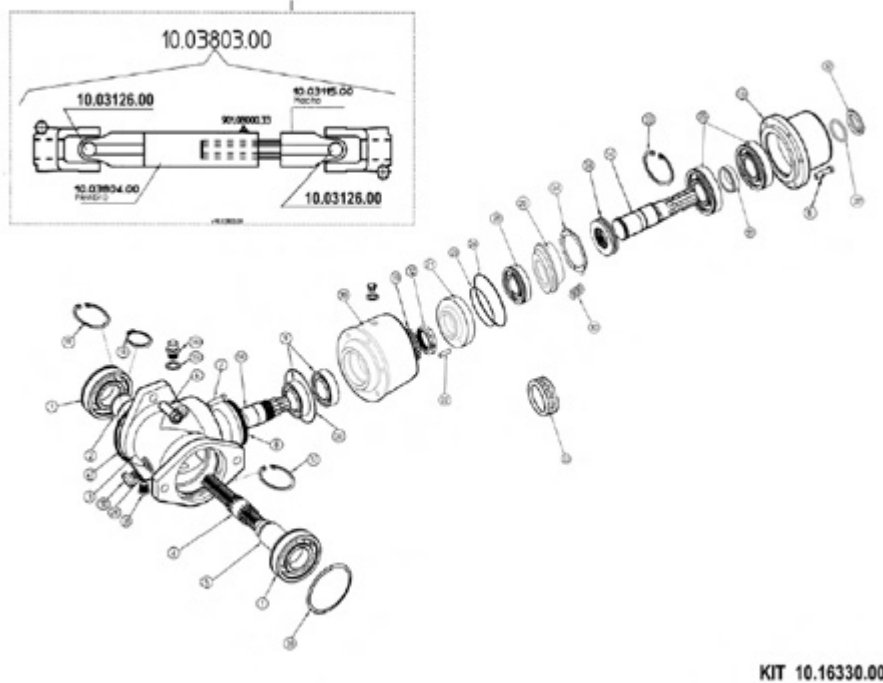


FIGURE	REFERENCE	DENOMINATION	AMOUNT
001	303.40023.00	BEARING DIN628	1
001	303.40023.00	BEARING DIN628	1
001	303.40023.00	BEARING DIN628	1
001	303.40023.00	BEARING DIN628	1
001	303.40023.00	BEARING DIN628	1
001	303.40023.00	BEARING DIN628	1
001	303.40023.00	BEARING DIN628	1
002	10.16000.01	ENGRANAJE CONICO Z13 48X25X59.	1
002	10.16000.01	ENGRANAJE CONICO Z13 48X25X59.	1
002	10.16000.01	ENGRANAJE CONICO Z13 48X25X59.	1
002	10.16000.01	ENGRANAJE CONICO Z13 48X25X59.	1
002	10.16000.01	ENGRANAJE CONICO Z13 48X25X59.	1
002	10.16000.01	ENGRANAJE CONICO Z13 48X25X59.	1
002	10.16000.01	ENGRANAJE CONICO Z13 48X25X59.	1
003	10.16336.01	CARCASA4x4175x173x175	1
003	10.16336.01	CARCASA4x4175x173x175	1
003	10.16336.01	CARCASA4x4175x173x175	1
003	10.16336.01	CARCASA4x4175x173x175	1



**TRANSMISSION**  
**POWER TAKE-OFF REDUCTOR BOX CH 130 X 4 -CH 150 X 4**

FIGURE	REFERENCE	DENOMINATION	AMOUNT
003	10.16336.01	CARCASA4x4175x173x175	1
003	10.16336.01	CARCASA4x4175x173x175	1
003	10.16336.01	CARCASA4x4175x173x175	1
004	10.16334.00	AXLE EST/EST	1
004	10.16334.00	AXLE EST/EST	1
004	10.16334.00	AXLE EST/EST	1
004	10.16334.00	AXLE EST/EST	1
004	10.16334.00	AXLE EST/EST	1
004	10.16334.00	AXLE EST/EST	1
004	10.16334.00	AXLE EST/EST	1
004	10.16334.00	AXLE EST/EST	1
004	10.16334.00	AXLE EST/EST	1
005	10.16335.00	AXLE CIL/EST	1
005	10.16335.00	AXLE CIL/EST	1
005	10.16335.00	AXLE CIL/EST	1
005	10.16335.00	AXLE CIL/EST	1
005	10.16335.00	AXLE CIL/EST	1
005	10.16335.00	AXLE CIL/EST	1
005	10.16335.00	AXLE CIL/EST	1
006	603.08030.86	SCREW DIN933	6
006	603.08030.86	SCREW DIN933	6
006	603.08030.86	SCREW DIN933	6
006	603.08030.86	SCREW DIN933	6
006	603.08030.86	SCREW DIN933	6
006	603.08030.86	SCREW DIN933	6
006	603.08030.86	SCREW DIN933	6
007	603.08025.86	SCREW DIN933	12
007	603.08025.86	SCREW DIN933	12
007	603.08025.86	SCREW DIN933	12
007	603.08025.86	SCREW DIN933	12
007	603.08025.86	SCREW DIN933	12
007	603.08025.86	SCREW DIN933	12
007	603.08025.86	SCREW DIN933	12
008	10.16332.01	EJE DEN/ROS Z21X132	1
008	10.16332.01	EJE DEN/ROS Z21X132	1
008	10.16332.01	EJE DEN/ROS Z21X132	1
008	10.16332.01	EJE DEN/ROS Z21X132	1
008	10.16332.01	EJE DEN/ROS Z21X132	1

## TRANSMISSION

### POWER TAKE-OFF REDUCTOR BOX CH 130 X 4 -CH 150 X 4

FIGURE	REFERENCE	DENOMINATION	AMOUNT
008	10.16332.01	EJE DEN/ROS Z21X132	1
008	10.16332.01	EJE DEN/ROS Z21X132	1
009	307.35018.00	ROLLING BEARING	2
009	307.35018.00	ROLLING BEARING	2
009	307.35018.00	ROLLING BEARING	2
009	307.35018.00	ROLLING BEARING	2
009	307.35018.00	ROLLING BEARING	2
009	307.35018.00	ROLLING BEARING	2
009	307.35018.00	ROLLING BEARING	2
010	10.17302.01	ACOP. CIL/CIL 62X135X1345 4X4	1
010	10.17302.01	ACOP. CIL/CIL 62X135X1345 4X4	1
010	10.17302.01	ACOP. CIL/CIL 62X135X1345 4X4	1
010	10.17302.01	ACOP. CIL/CIL 62X135X1345 4X4	1
010	10.17302.01	ACOP. CIL/CIL 62X135X1345 4X4	1
010	10.17302.01	ACOP. CIL/CIL 62X135X1345 4X4	1
010	10.17302.01	ACOP. CIL/CIL 62X135X1345 4X4	1
011	906.35000.00	WASHER	1
011	906.35000.00	WASHER	1
011	906.35000.00	WASHER	1
011	906.35000.00	WASHER	1
011	906.35000.00	WASHER	1
011	906.35000.00	WASHER	1
012	907.35008.00	NUT	1
012	907.35008.00	NUT	1
012	907.35008.00	NUT	1
012	907.35008.00	NUT	1
012	907.35008.00	NUT	1
012	907.35008.00	NUT	1
012	907.35008.00	NUT	1
013	10.17308.00	CARCASA 4X4 80X132X76	1
013	10.17308.00	CARCASA 4X4 80X132X76	1
013	10.17308.00	CARCASA 4X4 80X132X76	1
013	10.17308.00	CARCASA 4X4 80X132X76	1
013	10.17308.00	CARCASA 4X4 80X132X76	1
013	10.17308.00	CARCASA 4X4 80X132X76	1