



# **PARTS MANUAL**

# MAINTENANCE FILTERS KIT



FIGURE	REFERENCE	DENOMINATION	AMOUNT
001	KF.30000RE00	C 400/500 H x2/x4 FILTERS KIT	1
1.01	KU1C02032430	OIL FILTER, CARTRIDGE	1
1.02	KU1K01143061	FUEL FILTER, CARTRIDGE	1
1.03	KU.10034.00	PRE-FILTER, FUEL	1
1.04	46.02311.00	FILTER ELEMENT	1
1.05	46.02312.00	FILTER ELEMENT	1
1.06	46.10047.00	OIL FILTER 180 L	1
1.07	60.20100.00	FILTER ELEMENT, OIL	1

# ENGINE

## KUBOTA V3300-T (PART 1)

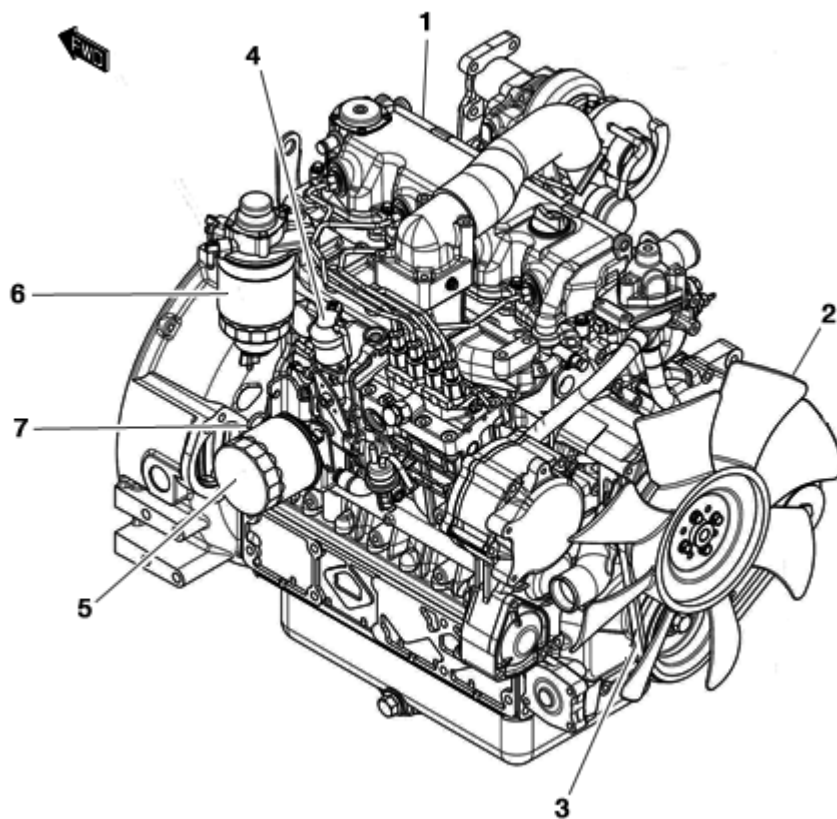


FIGURE	REFERENCE	DENOMINATION	AMOUNT
001	64.02110.01	KUBOTA DIESEL ENGINE 65KW V3300-T	1
002	30.02120.00	FAN	1
003	KU1K01197010	BELT, V	1
004	KU1C01060014	STOP SOLENOID	1
005	KU1C02032430	OIL FILTER, CARTRIDGE	1
006	KU1K01143061	FUEL FILTER, CARTRIDGE	1
007	KU1C01036412	GAUGE, OIL	1

# ENGINE

## KUBOTA V3300-T (PART 1)

CHASSIS: 60884

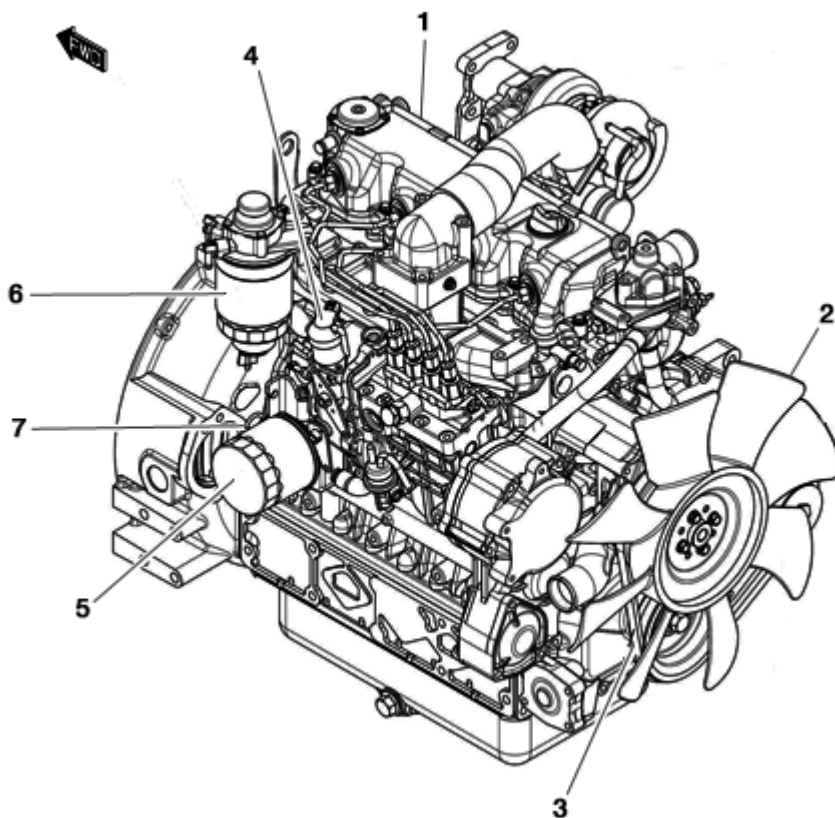


FIGURE	REFERENCE	DENOMINATION	AMOUNT
001	30.02100.00	DIESEL ENGINE 63KW KUBOTA V3600-T-E3B	1
002	30.02120.00	FAN	1
003	KU1K01197010	BELT, V	1
004	KU1C01060014	STOP SOLENOID	1
005	KU1C02032430	OIL FILTER, CARTRIDGE	1
006	KU1K01143061	FUEL FILTER, CARTRIDGE	1
007	KU1C01036412	GAUGE, OIL	1

# ENGINE

## KUBOTA V3300-T (PART 2)

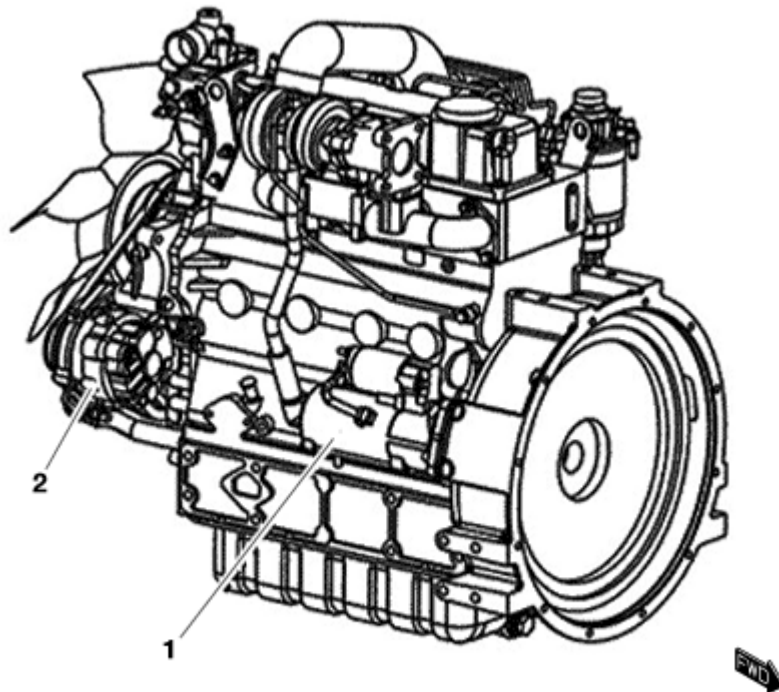


FIGURE	REFERENCE	DENOMINATION	AMOUNT
001	KU1C01063010	STARTER ASSY	1
002	KU1C01164010	ASSY DYNAMO 12V 60A	1

# ENGINE

## KUBOTA V3300-T (PART 2)

CHASSIS: 60887

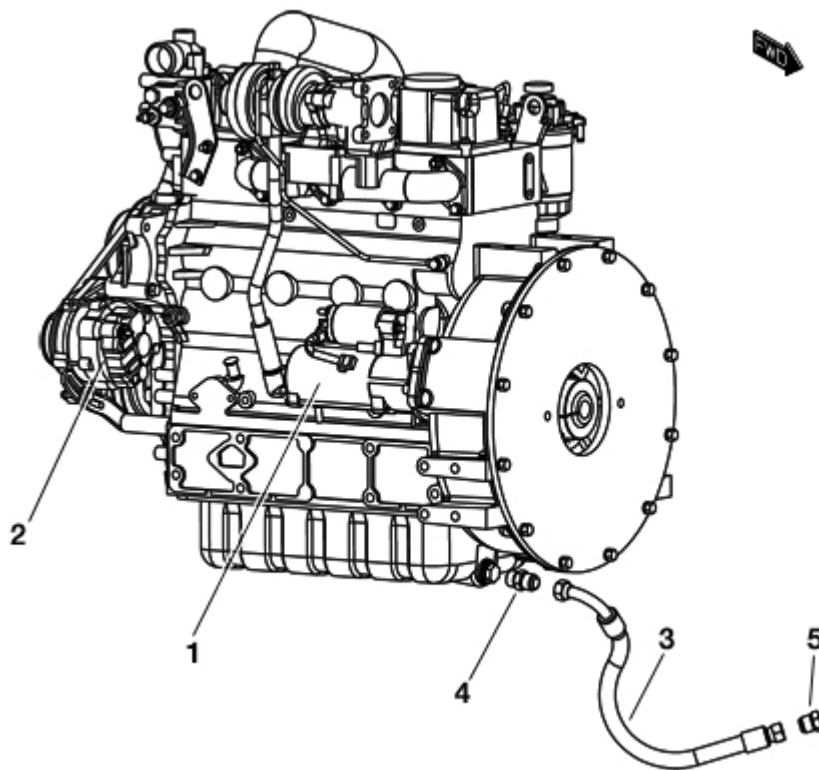


FIGURE	REFERENCE	DENOMINATION	AMOUNT
001	KU1C01063010	STARTER ASSY	1
002	KU1C01164010	ASSY DYNAMO 12V 60A	1
003	30.10380.00	TUBE R1T1/2 550 TL-C90TL7/8J	1
004	64.10328.00	RACORD M/M 7/8SAE-M22X1.5	1
005	64.10329.00	CAP 7/8SAE	1

# ENGINE PUMP COUPLING

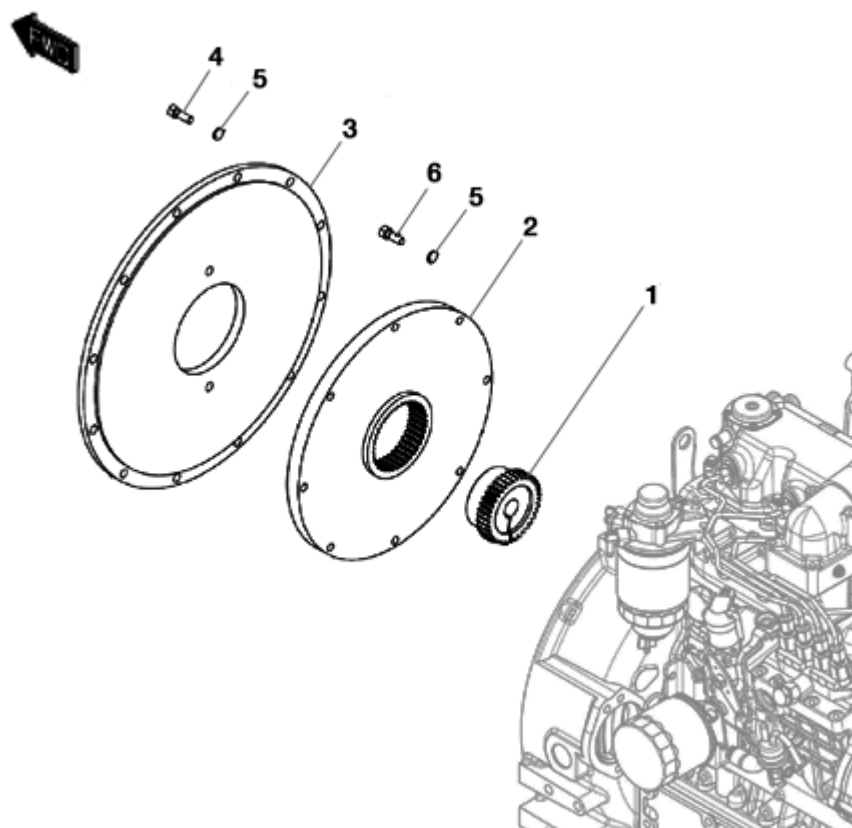


FIGURE	REFERENCE	DENOMINATION	AMOUNT
001	65.03216.00	COUPLING	1
002	57.02091.00	COUPLING	1
003	57.02090.00	COUPLING	1
004	607.10025.90	BOLT DIN933 3/8 25	12
005	104.14000.00	WASHER DIN7980 Ø14	20
006	627.10035.86	BOLT DIN931 WHITWORTH 3/8	8

# ENGINE PUMP

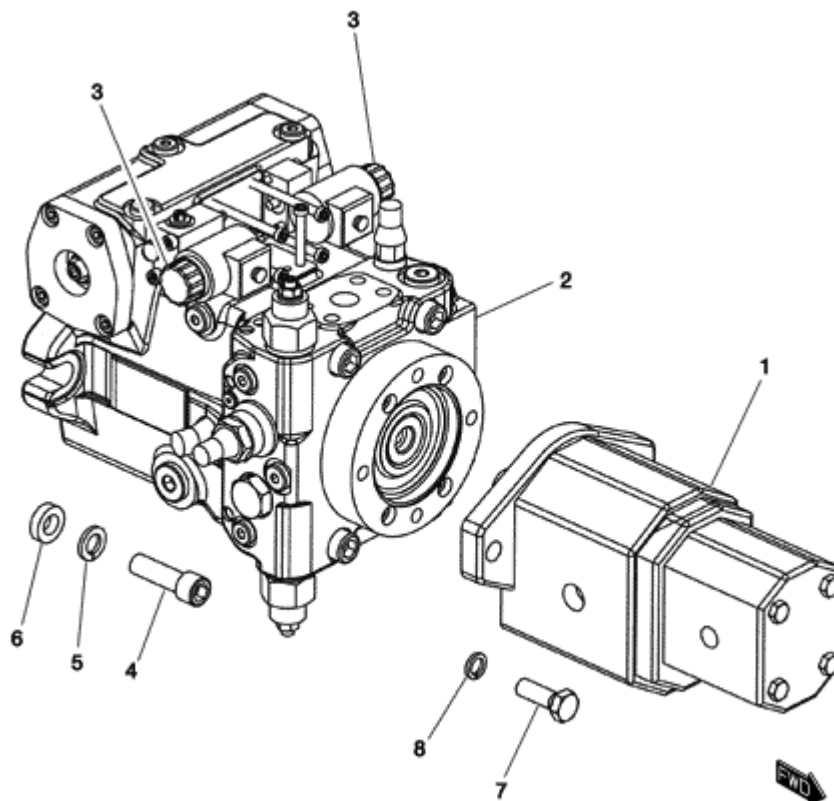


FIGURE	REFERENCE	DENOMINATION	AMOUNT
001	30.10001.00	OIL PUMP DOUBLE 30/10.6CC	1
002	57.03250.01	HYDR. PUMP 56CC HYDROMATIC	1
003	RXR902602669	SPOOL	2
004	601.14045.86	HEXAGON SOCKET HEAD SCREW DIN912 M14x45	2
005	104.14000.00	WASHER DIN7980 Ø14	2
006	15.30110.00	WASHER 14x7x26	2
007	604.12035.86	BOLT DIN931 M12x35	2
008	104.12000.00	WASHER DIN7980 Ø12	2



# ENGINE EXHAUST

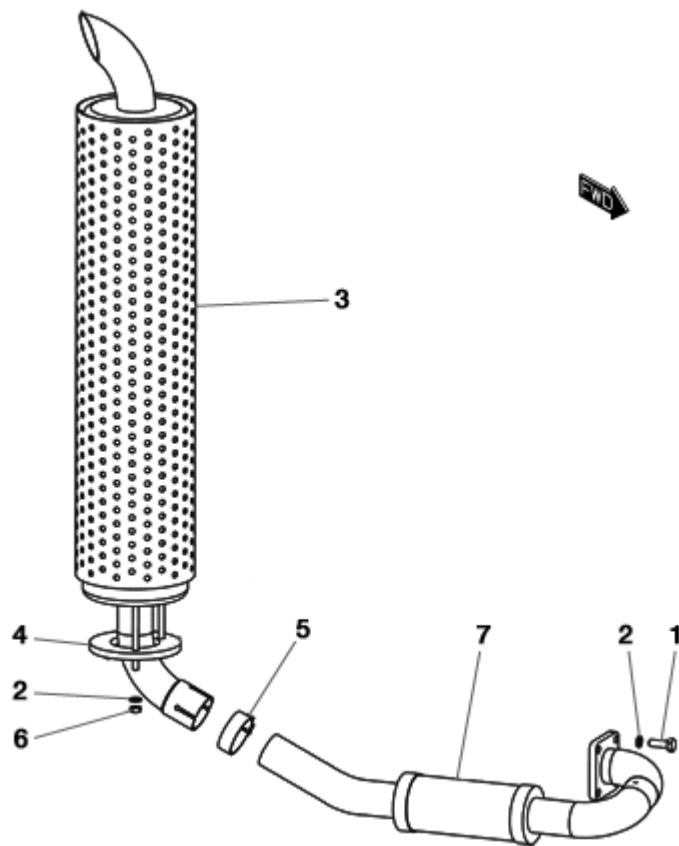


FIGURE	REFERENCE	DENOMINATION	AMOUNT
001	603.10030.86	BOLT DIN933 M10x30	4
002	104.10000.00	WASHER DIN7980 Ø10	7
003	57.02020.00	EXHAUST	1
003	57.02023.00	SPARKS EXTINGUISHER MUFFLER (OPTIONAL)	1
003	57.02024.00	MUFFLER WITH PURIFIER (OPTIONAL)	1
004	20.02020.00	FLANGE	1
005	935.47051.66	HOSE CLAMP SUPER Ø47-51	1
006	701.08000.66	NUT DIN934 M8x1,25	3
007	30.02020.00	EXHAUST MANIFOLD	1

# ENGINE AIR FILTER

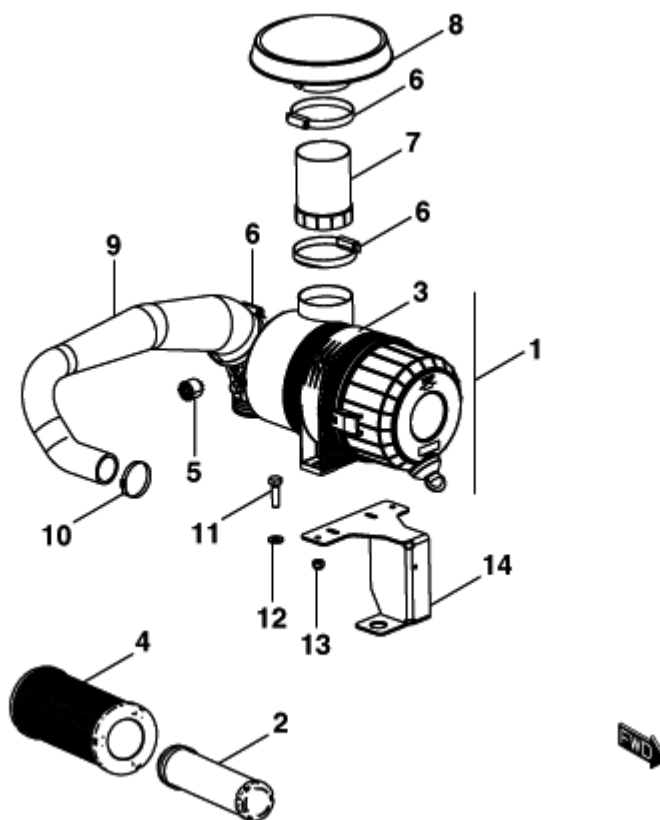


FIGURE	REFERENCE	DENOMINATION	AMOUNT
001	46.02038.00	VOLKSWAGEN ENGINE AIR FILTER	1
002	46.02312.00	FILTER ELEMENT	1
003	46.02310.00	HOSE CLAMP FILTER	1
004	46.02311.00	FILTER ELEMENT	1
005	43.50119.00	INDICATOR, AIR FILTER	1
006	912.90110.66	HOSE CLAMP Ø90-110	3
007	30.02302.00	TUBE MET.	1
008	30.02301.00	PROTECTOR	1
009	30.02304.00	ADMISSION TUBE Ø45xØ55x626	1
010	912.40060.66	HOSE CLAMP Ø40-60	1
011	603.08030.86	BOLT DIN933 M8x30	2
012	101.08000.66	WASHER DIN125 Ø8	2
013	711.08000.66	NUT DIN982 M8	2
014	30.02303.00	AIR FILTER SUPPORT	1