



PARTS MANUAL

MAINTENANCE

FILTERS KIT



FIGURE	REFERENCE	DENOMINATION	AMOUNT
001	KF.57000RE00	C 300 H FILTERS KIT	1

ENGINE

ENGINE (USA VERSION)

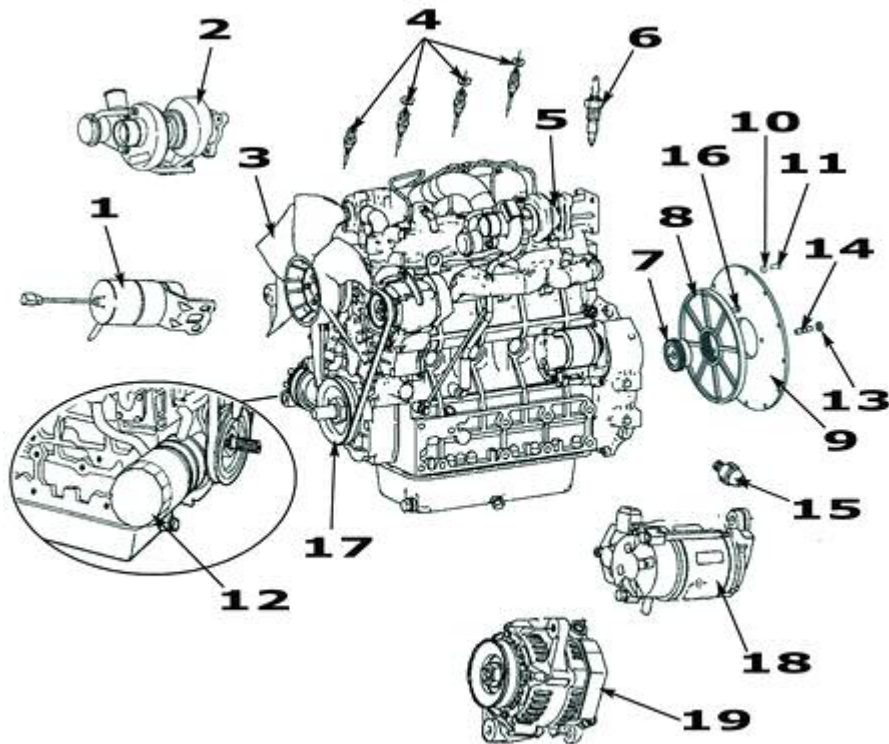


FIGURE	REFERENCE	DENOMINATION	AMOUNT
001	KU1C01060014	STOP SOLENOID	1
002	KU.10011.00	TURBO	1
002	KU.10011.00	TURBO	1
003	KU.10007.00	FAN	1
003	KU.10007.00	FAN	1
004	KU.10003.00	HEATER	4
005	57.02100.00	ENGINE V3300 - E2B - AUSA 1	1
005	57.02100.00	ENGINE V3300 - E2B - AUSA 1	1
006	KU.10008.00	OVERHEAT WARNING SWITCH	1
006	KU.10008.00	OVERHEAT WARNING SWITCH	1
007	57.02092.00	COUPLING	1
007	57.02092.00	COUPLING	1
008	57.02091.00	COUPLING	1
008	57.02091.00	COUPLING	1
009	57.02090.00	COUPLING	1
009	57.02090.00	COUPLING	1
010	101.10000.66	WASHER DIN125	12
010	101.10000.66	WASHER DIN125	12

ENGINE

ENGINE (USA VERSION)

FIGURE	REFERENCE	DENOMINATION	AMOUNT
011	607.10025.90	SCREW	12
011	607.10025.90	SCREW	12
012	KU.10004.00	OIL FILTER CARTRIDGE	1
012	KU.10004.00	OIL FILTER CARTRIDGE	1
013	15.30110.00	WASHER 14X7X26	2
013	15.30110.00	WASHER 14X7X26	2
014	43.40129.00	STUD DIN939	1
014	43.40129.00	STUD DIN939	1
015	KU.10009.00	OIL WARNING SWITCH	8
015	KU.10009.00	OIL WARNING SWITCH	8
016	627.10035.86	SCREW	8
016	627.10035.86	SCREW	8
017	KU.10010.00	V BELT	1
017	KU.10010.00	V BELT	1
018	KU.10002.00	STARTING ENGINE	1
018	KU.10002.00	STARTING ENGINE	1
019	KU.10001.00	ALTERNATOR	1
019	KU.10001.00	ALTERNATOR	1

ENGINE

ENGINE

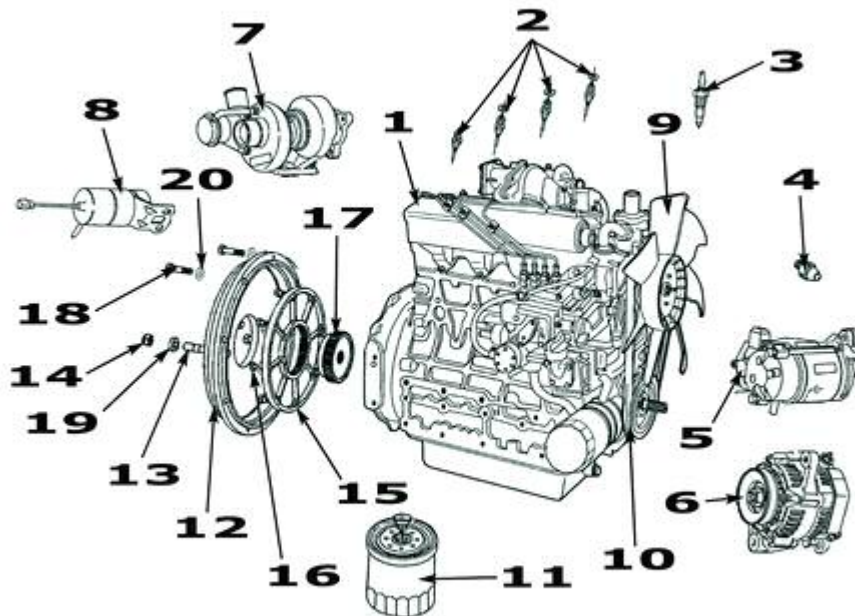


FIGURE	REFERENCE	DENOMINATION	AMOUNT
001	20.02003.00	COMPLETE DIESEL ENGINE KUBOTA V2003-TE	1
001	20.02003.00	COMPLETE DIESEL ENGINE KUBOTA V2003-TE	1
002	KU.10003.00	HEATER	4
002	KU.10003.00	HEATER	4
003	KU.10008.00	OVERHEAT WARNING SWITCH	1
003	KU.10008.00	OVERHEAT WARNING SWITCH	1
004	KU.10009.00	OIL WARNING SWITCH	1
004	KU.10009.00	OIL WARNING SWITCH	1
005	KU.10002.00	STARTING ENGINE	1
005	KU.10002.00	STARTING ENGINE	1
006	KU.10001.00	ALTERNATOR	1
006	KU.10001.00	ALTERNATOR	1
007	KU.10011.00	TURBO	1
007	KU.10011.00	TURBO	1
008	KU.10006.00	STOP SELENOID	1
008	KU.10006.00	STOP SELENOID	1
009	KU.10007.00	FAN	1
009	KU.10007.00	FAN	1

ENGINE

ENGINE

FIGURE	REFERENCE	DENOMINATION	AMOUNT
010	KU.10001.00	ALTERNATOR	1
010	KU.10001.00	ALTERNATOR	1
011	KU.10004.00	OIL FILTER CARTRIDGE	1
011	KU.10004.00	OIL FILTER CARTRIDGE	1
012	57.02090.00	COUPLING	1
012	57.02090.00	COUPLING	1
013	43.40129.00	STUD DIN939	3
013	43.40129.00	STUD DIN939	3
014	711.14000.66	NUT DIN982	3
014	711.14000.66	NUT DIN982	3
015	20.02172.00	CYLINDER COUPLING	1
015	20.02172.00	CYLINDER COUPLING	1
016	633.10025.86	SCREW	8
016	633.10025.86	SCREW	8
017	57.02091.00	COUPLING	1
017	57.02091.00	COUPLING	1
018	607.10025.90	SCREW	12
018	607.10025.90	SCREW	12
019	15.30110.00	WASHER 14X7X26	3
019	15.30110.00	WASHER 14X7X26	3
020	104.10000.00	CIR-CLIP EXT. DIN7980	12
020	104.10000.00	CIR-CLIP EXT. DIN7980	12

ENGINE EXHAUST

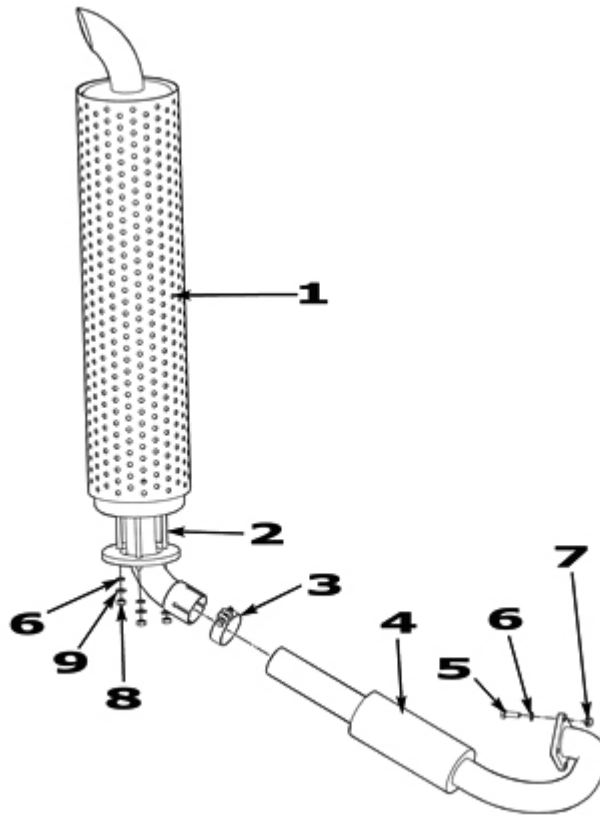


FIGURE	REFERENCE	DENOMINATION	AMOUNT
001	57.02020.00	EXHAUST	1
001	57.02023.00		1
001	57.02024.00		1
002	20.02020.00	FLANGE	1
003	935.47051.66	CLAMP	1
004	57.02021.00	ESCAPE COLLECTOR	1
005	603.08025.86	SCREW DIN933	4
006	104.08000.00	WASHER D8	7
007	708.10125.66	NUT	4
008	701.08000.66	NUT DIN934 M8X1,25	3
009	101.08000.66	WASHER DIN125	3

ENGINE EXHAUST (USA VERSION)

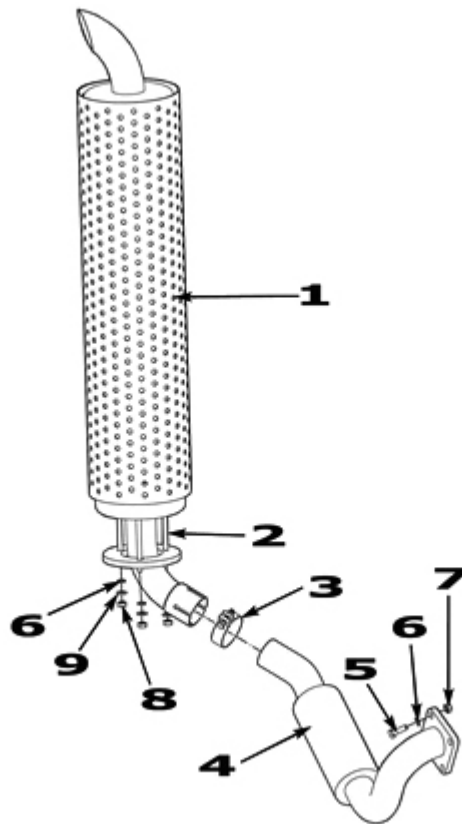


FIGURE	REFERENCE	DENOMINATION	AMOUNT
001	57.02020.00	EXHAUST	1
001	57.02020.00	EXHAUST	1
002	20.02020.00	FLANGE	1
002	20.02020.00	FLANGE	1
003	935.47051.66.		1
003	935.47051.66.		1
004	57.02022.00	ESCAPE COLLECTOR	1
004	57.02022.00	ESCAPE COLLECTOR	1
005	603.08025.86	SCREW DIN933	4
006	104.08000.00	WASHER D8	7
006	104.08000.00	WASHER D8	7
007	708.10125.66	NUT	4
007	708.10125.66	NUT	4
008	701.08000.66	NUT DIN934 M8X1,25	3
008	701.08000.66	NUT DIN934 M8X1,25	3
009	101.08000.66	WASHER DIN125	3
009	101.08000.66	WASHER DIN125	3

ENGINE AIR FILTER

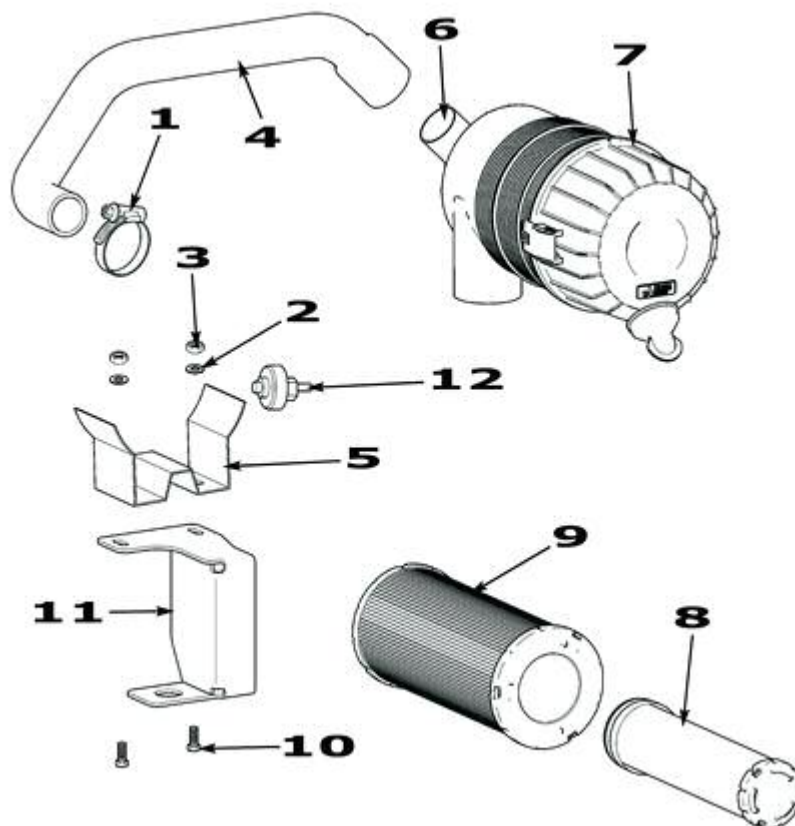


FIGURE	REFERENCE	DENOMINATION	AMOUNT
001	912.60080.66	CLAMP	1
001	912.60080.66	CLAMP	1
002	104.08000.00	WASHER D8	2
002	104.08000.00	WASHER D8	2
003	701.08000.66	NUT DIN934 M8X1,25	2
003	701.08000.66	NUT DIN934 M8X1,25	2
004	57.02057.00	TUBE	1
004	57.02057.00	TUBE	1
005	57.02030.00	SUPPORT	1
005	57.02030.00	SUPPORT	1
006	20.02024.00	TUBE	1
006	20.02024.00	TUBE	1
007	43.01210.00	AIR FILTER	1
007	43.01210.00	AIR FILTER	1
008	43.01214.00	FILTER ELEMENT 60X80X318 A	1
009	43.01213.00	FILTER ELEMENT 8X140X320 A	1
009	43.01213.00	FILTER ELEMENT 8X140X320 A	1
010	603.08020.86	SCREW DIN933	2



ENGINE AIR FILTER

FIGURE	REFERENCE	DENOMINATION	AMOUNT
010	603.08020.86	SCREW DIN933	2
011	43.01211.00	CLAMP	1
011	43.01211.00	CLAMP	1
012	43.50119.00	INDICATOR	1