



PARTS MANUAL

**MAINTENANCE
FILTERS KIT**



FIGURE	REFERENCE	DENOMINATION	AMOUNT
001	KF.20400RE00	C 200 H x2/x4 FILTERS KIT	1

ENGINE (ISUZU 4LE2)

ENGINE GASKET KIT

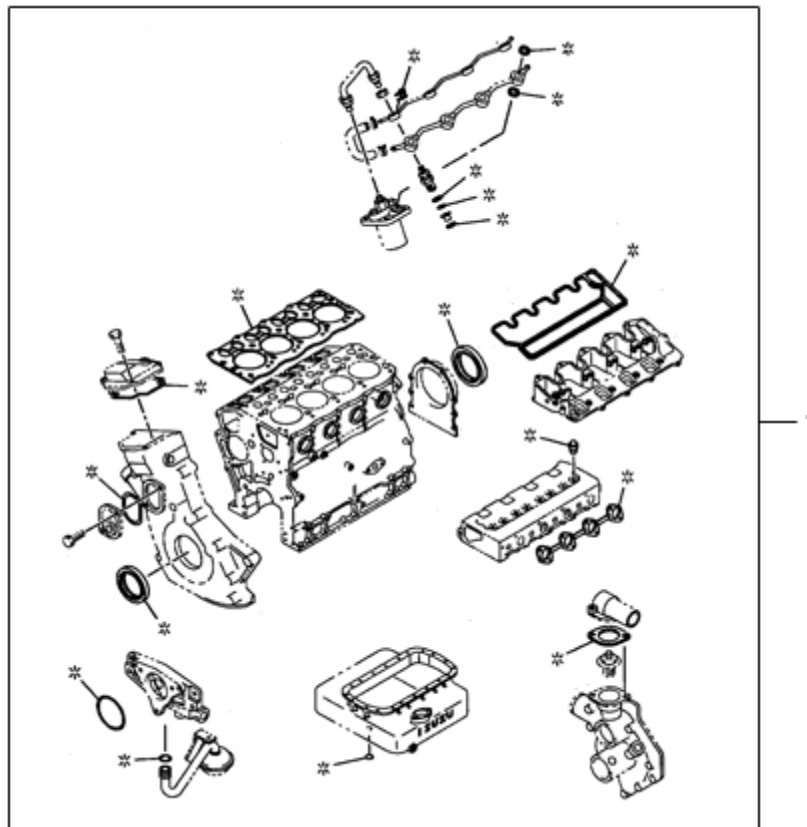


FIGURE	REFERENCE	DENOMINATION	AMOUNT
001	IZ5878137320	ENGINE GASKET KIT	1

ENGINE (ISUZU 4LE2)

CYLINDER HEAD

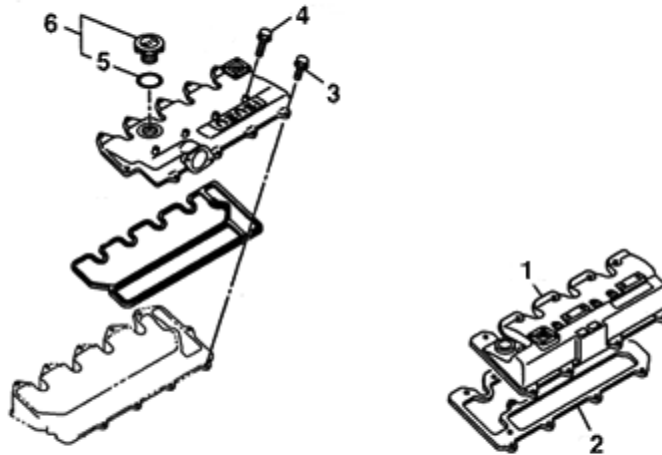


FIGURE	REFERENCE	DENOMINATION	AMOUNT
001	IZ8972001902	CYLINDER HEAD COVER	1
002	IZ.10020.00	HEAD TO COVER GASKET	1
003	IZ0280806200	HEAD COVER BOLT M6X20	9
004	IZ0280806450	HEAD COVER BOLT M6X45	4
005	IZ8941236231	OIL FILLER GASKET	1
006	05.60410MI23	OIL FILLER CAP	1

ENGINE (ISUZU 4LE2)

LEVEL GAUGE

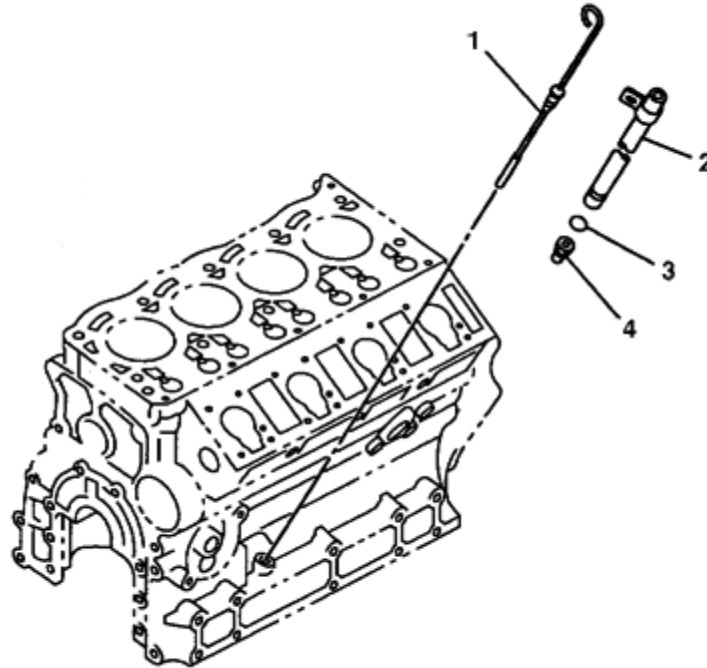


FIGURE	REFERENCE	DENOMINATION	AMOUNT
001	IZ.10023.00	OIL LEVEL GAUGE	1
002	IZ8970967000	GUIDE OIL LEVEL GAUGE TUBE	1
003	IZ5096230020	GUIDE TUBE GASKET	1
004	IZ8944558940	GUIDE TUBE NIPPLE	1

ENGINE (ISUZU 4LE2)

OIL PAN

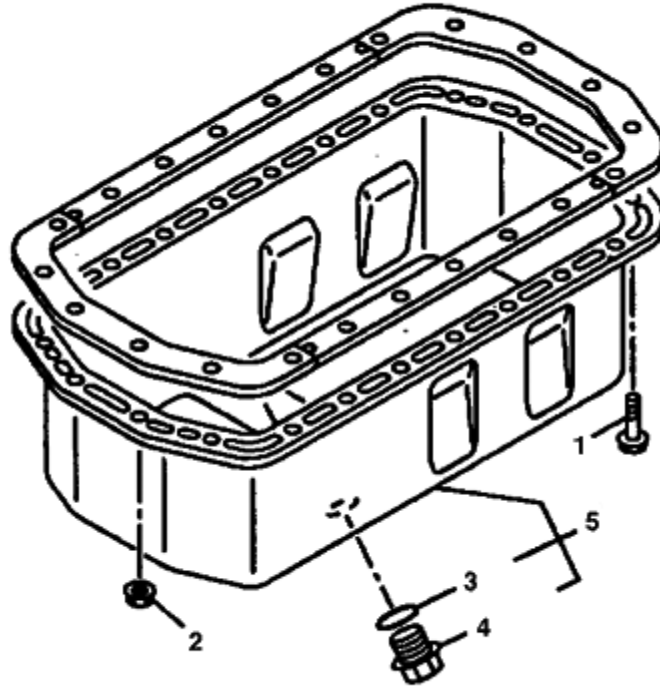


FIGURE	REFERENCE	DENOMINATION	AMOUNT
001	IZ8971351410	BOLT M6X13	20
002	IZ8971378360	NUT M6X13	2
003	86.70000.35	DRAIN PLUG GASKET	1
004	05.91121MI02	PLUG	1
005	IZ.10021.00	OIL PAN ASSY	1

ENGINE (ISUZU 4LE2)
ENGINE (PART 1)

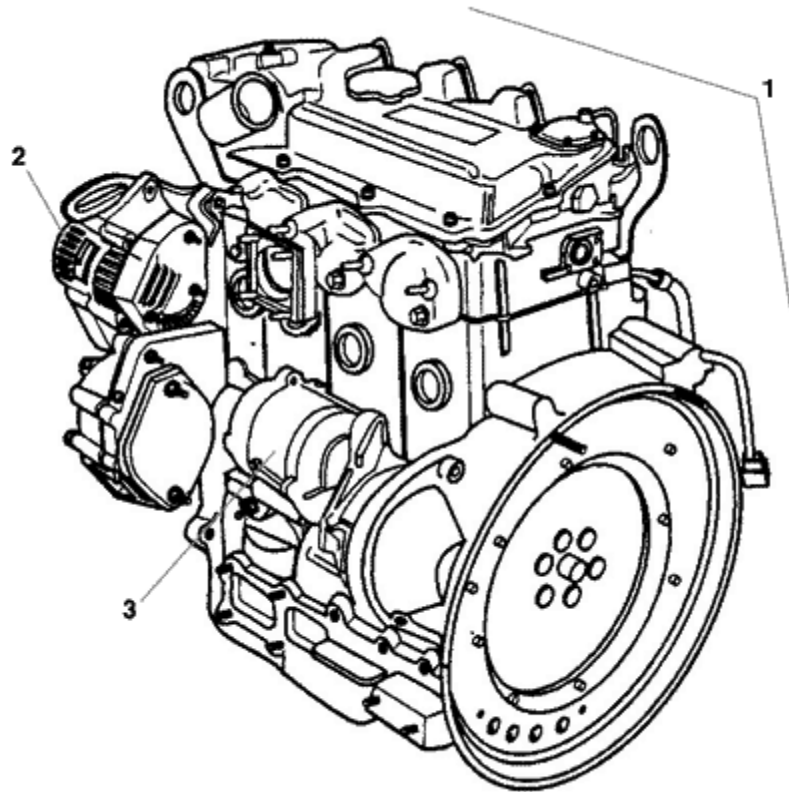


FIGURE	REFERENCE	DENOMINATION	AMOUNT
001	20.02001.01	DIESEL ENGINE ISUZU 4LE2 35,5 KW	1
002	IZ.10001.00	GENERATOR	1
003	IZ.10002.00	STARTING ENGINE	1

ENGINE (ISUZU 4LE2)
ENGINE (PART 1)

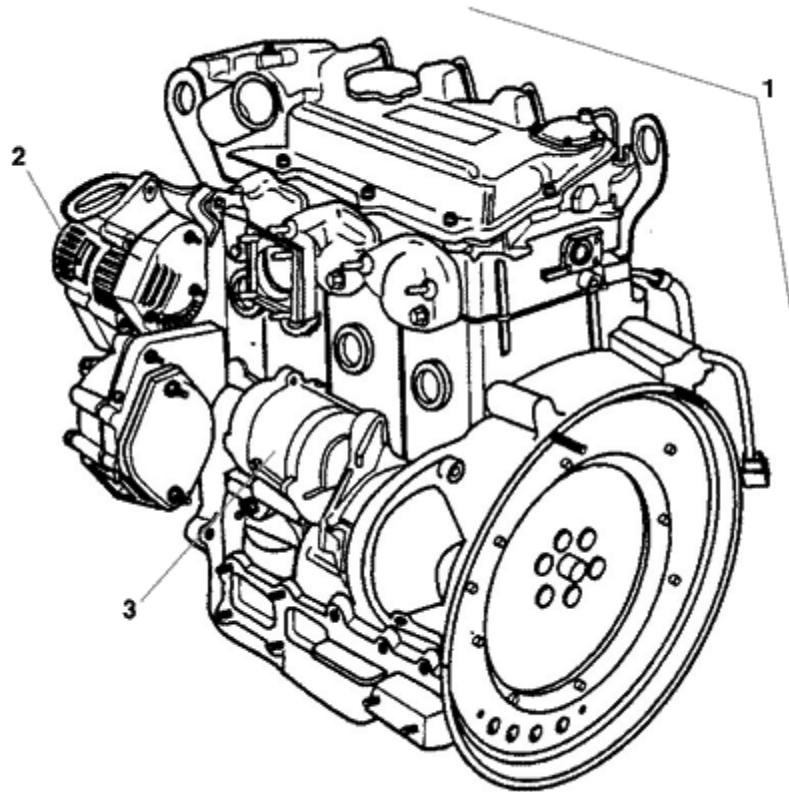


FIGURE	REFERENCE	DENOMINATION	AMOUNT
001	20.02001.03		1
002	IZ.10001.00	GENERATOR	1
003	IZ.10002.00	STARTING ENGINE	1

ENGINE (ISUZU 4LE2)

ENGINE (PART 2)

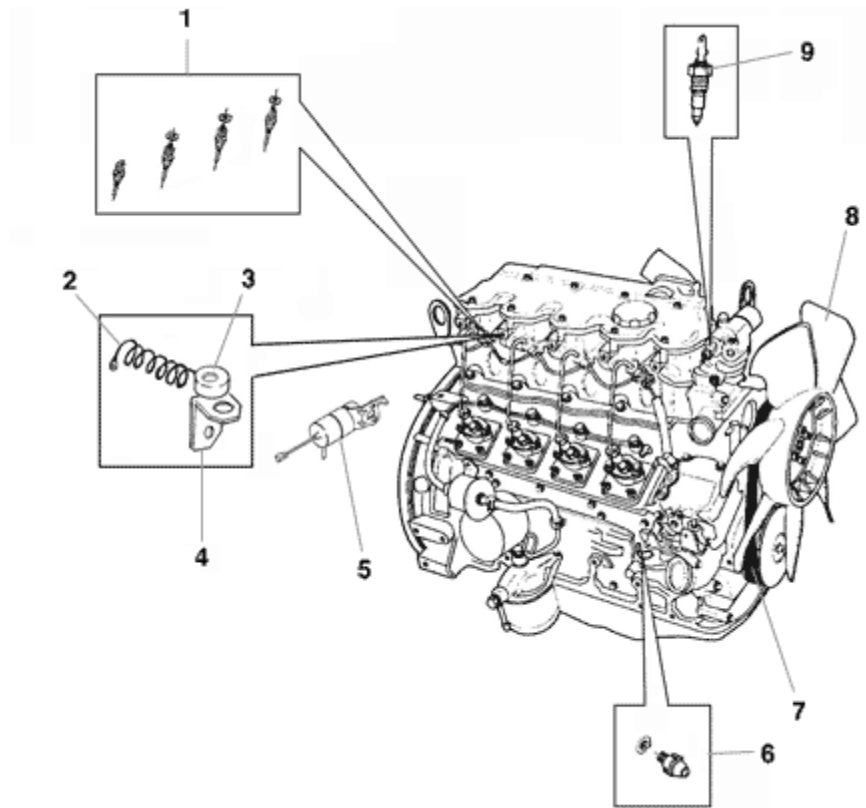


FIGURE	REFERENCE	DENOMINATION	AMOUNT
001	IZ.10003.00	HEATER	4
002	45.04545.00	ELECTRICAL CABLE	1
003	43.02115.00	RESISTOR	1
004	45.04210.00	STRIGHT SUPPORT	1
005	IZ.10006.00	STOP SOLENOID	1
006	IZ.10009.00	OIL WARNING SWITCH	1
007	IZ.10010.00	FAN BELT	1
008	IZ.10007.00	FAN	1
009	IZ.10008.00	OVERHEAT WARNING SWITCH	1

ENGINE (ISUZU 4LE2)

ENGINE (PART 2)

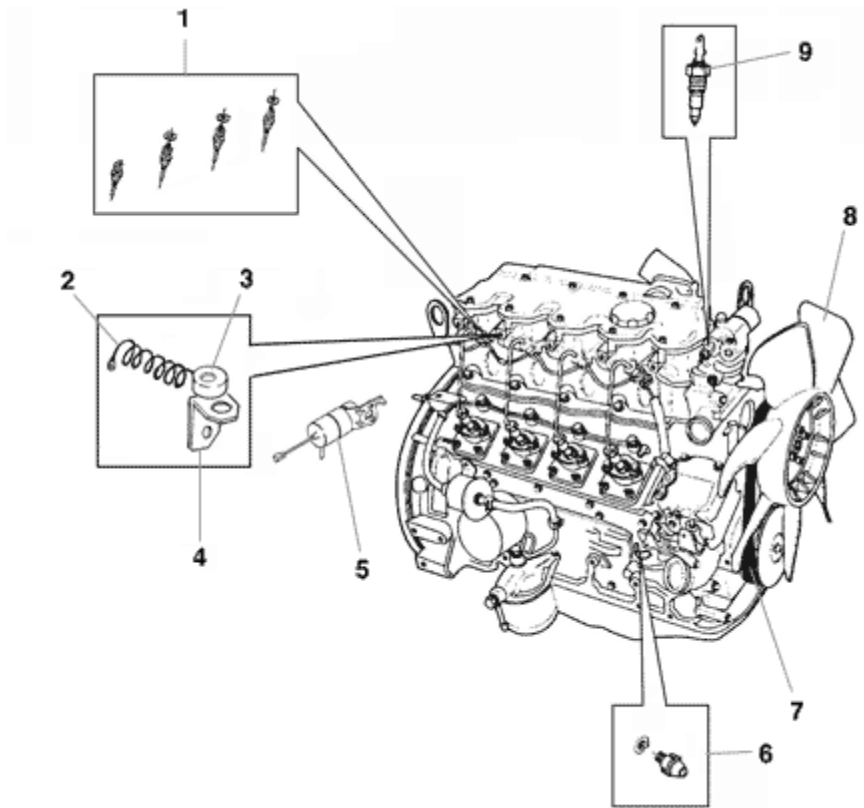


FIGURE	REFERENCE	DENOMINATION	AMOUNT
001	IZ.10003.00	HEATER	4
002	45.04545.00	ELECTRICAL CABLE	1
003	43.02115.00	RESISTOR	1
004	45.04210.00	STRIGHT SUPPORT	1
005	IZ.10006.00	STOP SOLENOID	1
006	IZ.10009.00	OIL WARNING SWITCH	1
007	IZ.10010.00	FAN BELT	1
008	20.02006.00	FAN	1
009	IZ.10008.00	OVERHEAT WARNING SWITCH	1

ENGINE (ISUZU 4LE2)
ENGINE (PART 3)

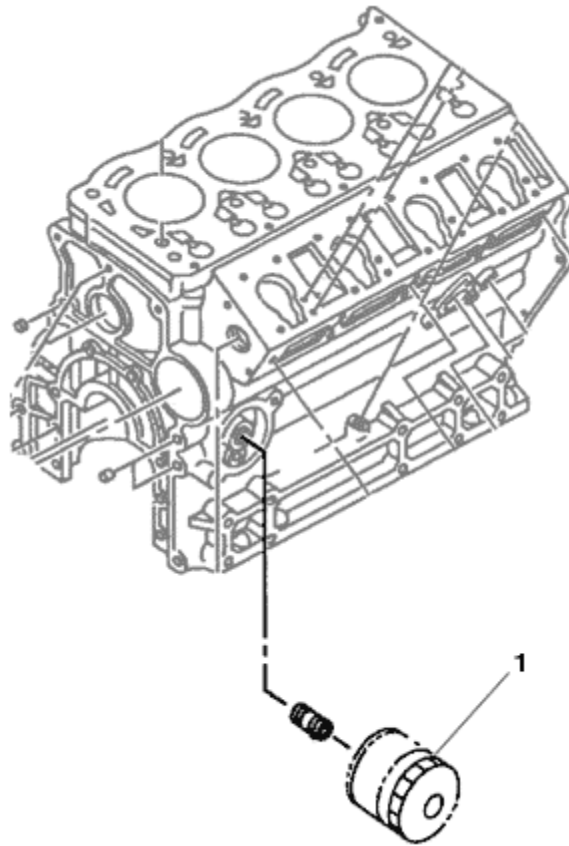


FIGURE	REFERENCE	DENOMINATION	AMOUNT
001	IZ.10004.00	OIL FILTER	1

ENGINE (ISUZU 4LE2)

ACOUPLEMENT POMPE

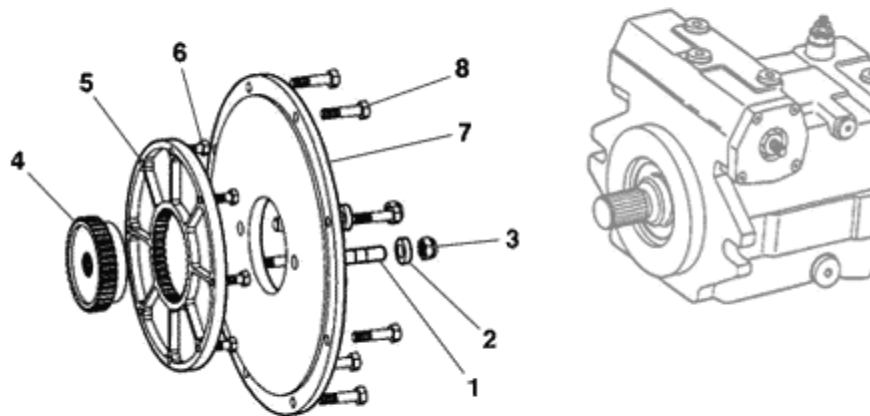


FIGURE	REFERENCE	DENOMINATION	AMOUNT
001	43.40129.00	STUD DIN939	2
002	15.30110.00	WASHER 14x7x26	2
003	711.14000.66	NUT DIN982 M14 8.8 K	2
004	63.01002.00	COUPLING GEA/GEA	1
005	62.20912.00	COUPLING CYL/GEA	1
006	603.08035.86	BOLT DIN933 M8x35	8
007	63.01003.00	COUPLING CYL/CYL	1
008	604.10030.86	BOLT DIN931 M10x30	8

ENGINE (ISUZU 4LE2)

ACOUPLEMENT POMPE

CHASSIS: 62097

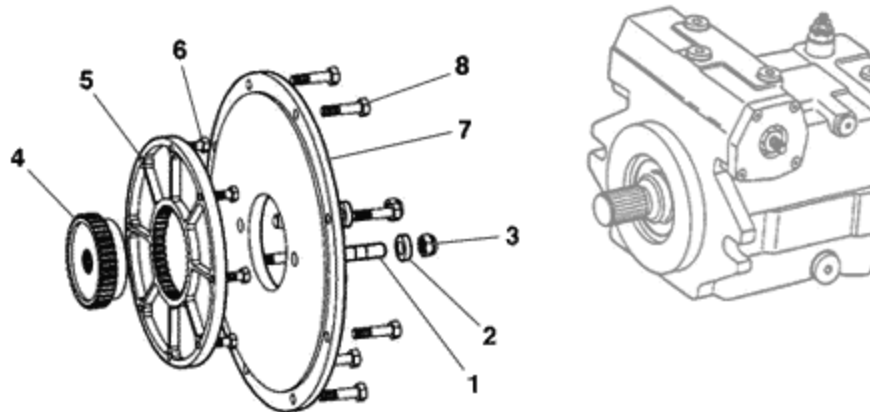


FIGURE	REFERENCE	DENOMINATION	AMOUNT
001	43.40129.00	STUD DIN939	2
002	15.30110.00	WASHER 14x7x26	2
003	711.14000.66	NUT DIN982 M14 8.8 K	2
004	63.01002.01	COUPLING 13/32 PITCH Z=15	1
005	62.20912.01	COUPLING D241X20	1
006	601.08035.86	HEXAGON SOCKET HEAD SCREW DIN912 M8x35	8
007	63.01003.01	coupling D102XD356X24	1
008	604.10030.86	BOLT DIN931 M10x30	8

ENGINE (ISUZU 4LE2) HYDROSTATIC PUMP

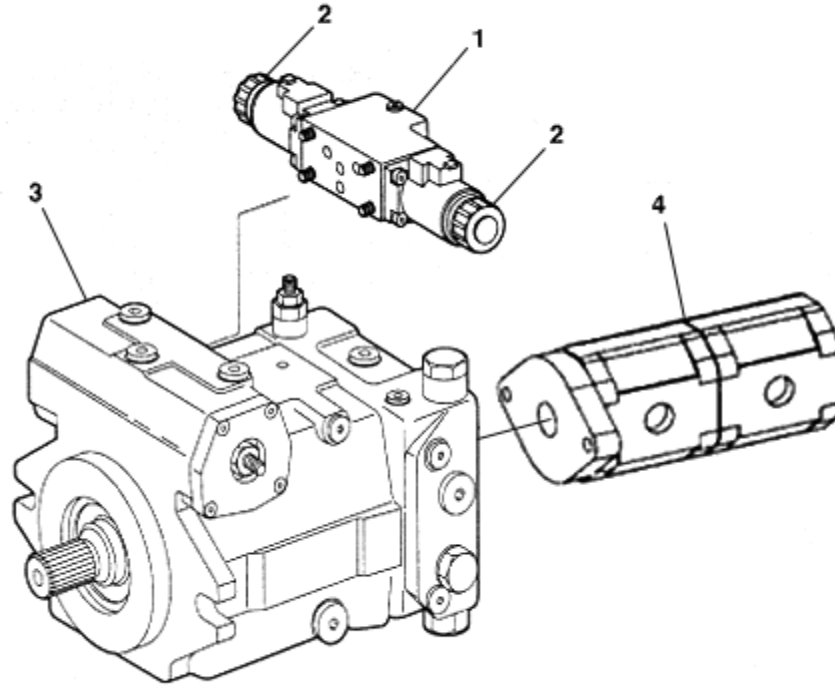


FIGURE	REFERENCE	DENOMINATION	AMOUNT
001	RX.30006.00	FULL ELECTROVALVE BLOCK	1
002	RX.30005.00	SPOOL (FRONT/REAR SPEED)	2
003	20.03270.00	HYDR. PUMP 45CC.300B HYDROMATIC	1
004	43.61522.00	HYDR. PUMP	1

ENGINE (ISUZU 4LE2)

ECHAPPEMENT

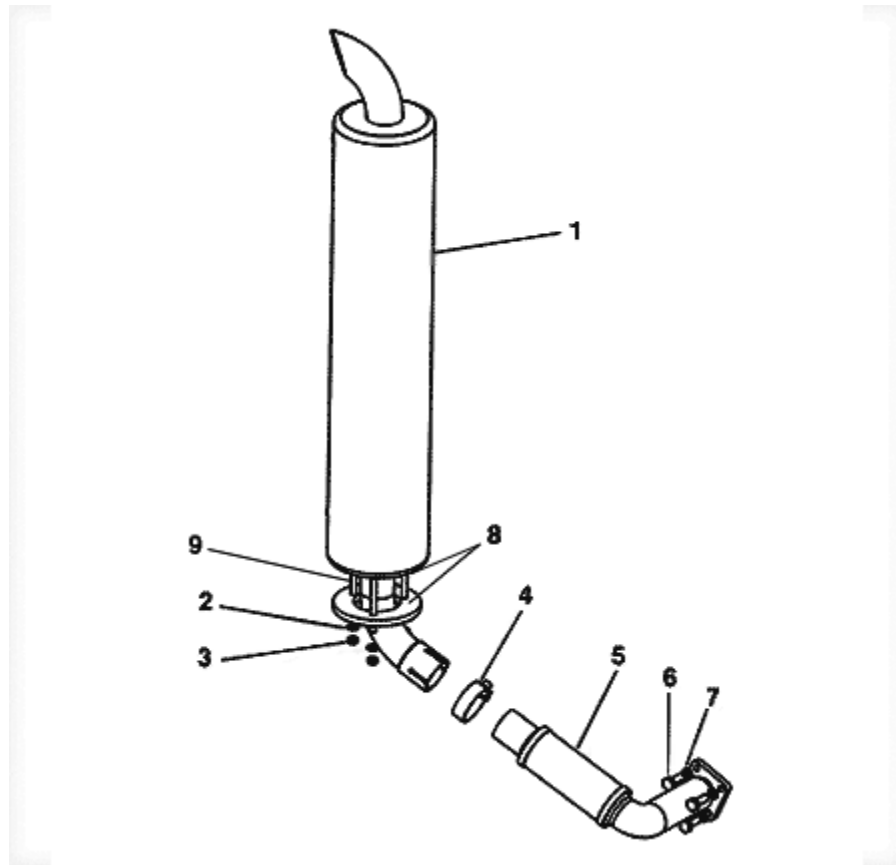


FIGURE	REFERENCE	DENOMINATION	AMOUNT
001	20.02026.01	MUFFLER 1090	1
002	112.08000.66	WASHER DIN9021 Ø8	3
003	701.08000.66	NUT DIN934 M8x1,25	3
004	936.53000.66	HOSE CLAMP DIN 71555 Ø53	1
005	20.02023.02	EXHAUST PIPE D50X350	1
006	604.08070.86	BOLT DIN931 M8x70	4
007	104.08000.00	WASHER DIN7980 Ø8	4
008	20.02020.00	FLANGE	2
009	20.02037.00		3

ENGINE (ISUZU 4LE2)

FILTRE A AIR

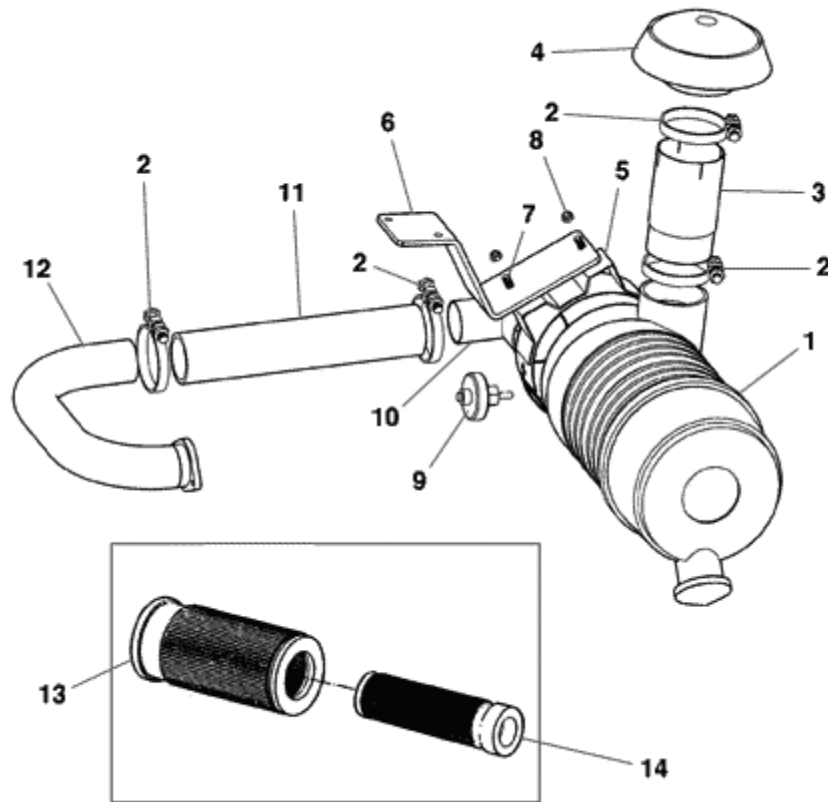


FIGURE	REFERENCE	DENOMINATION	AMOUNT
001	43.01210.00	FILTER, COMP. AIR	1
002	935.60000.66	HOSE CLAMP S Ø60-80	4
003	20.02025.00	TUBE, METALLIC 80 Ø80xØ74x130	1
004	43.01212.00	GUARD MUFFLER	1
005	43.01211.00	HOSE CLAMP	1
006	20.02045.00	AIR FILTER SUPPORT	1
007	603.08025.86	BOLT DIN933 M8x25	2
008	711.08000.66	NUT DIN982 M8	2
009	43.50119.00	INDICATOR, AIR FILTER	1
010	20.02024.00	TUBE, METALLIC 67 Ø70xØ66x90 Ø50xØ46	1
011	20.02047.00	TUBE (CH 200)	1
012	20.02048.01	ADMISSION MANIFOLD 60X175X365	1
013	43.01213.00	FILTER ELEMENT 8x140x320	1
014	43.01214.00	FILTER ELEMENT 60x80x318	1

ENGINE (ISUZU 4LE2)

ENGINE SUPPORTS

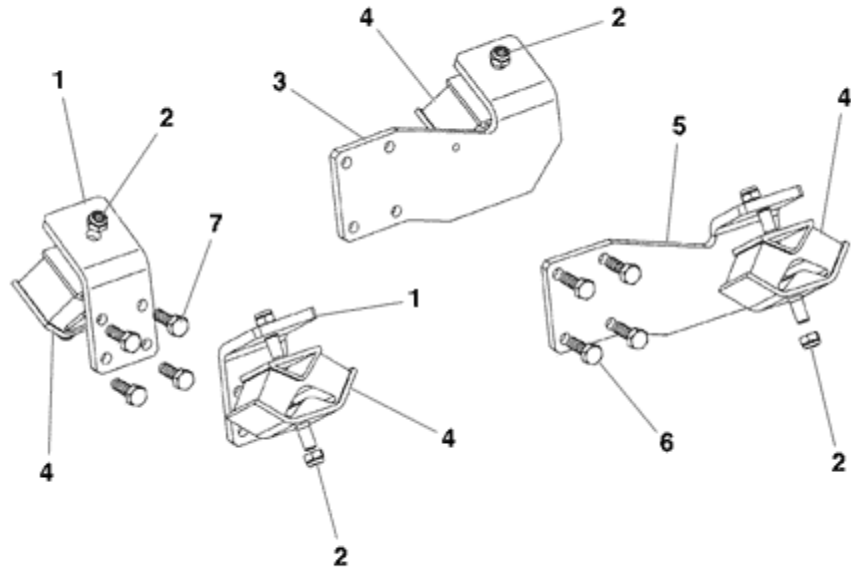


FIGURE	REFERENCE	DENOMINATION	AMOUNT
001	20.02012.01	ENGINE SUPPORT 10X70X105	2
002	711.12000.66	NUT DIN982 M12	8
003	20.02010.01	ENGINE SUPPORT 10X132X237	1
004	15.97770.01	SHOCK ABSORBER, 60x120x64 50 A	4
005	20.02011.01	ENGINE SUPPORT 10X132X237	1
006	603.10035.86	BOLT DIN933 M10x35	8
007	603.10025.86	BOLT DIN933 M10x25	8

ENGINE (ISUZU 4LE2)

ENGINE SUPPORTS

CHASSIS: 60512

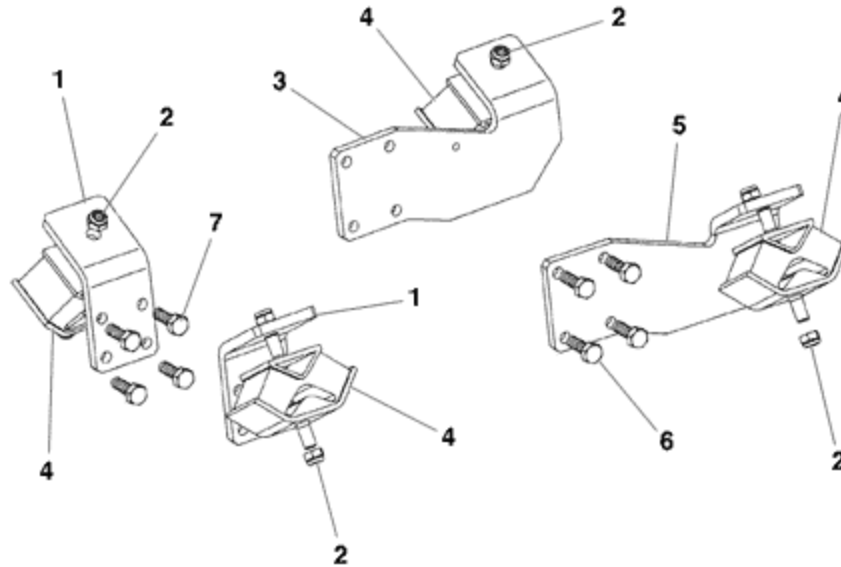


FIGURE	REFERENCE	DENOMINATION	AMOUNT
001	20.02012.01	ENGINE SUPPORT 10X70X105	2
002	711.12000.66	NUT DIN982 M12	8
003	20.02010.01	ENGINE SUPPORT 10X132X237	1
004	57.02070.00	SHOCK ABSORBER, 60x120x64 60 A	4
005	20.02011.01	ENGINE SUPPORT 10X132X237	1
006	603.10035.86	BOLT DIN933 M10x35	8
007	603.10025.86	BOLT DIN933 M10x25	8

ENGINE (ISUZU 4LE2)

ENGINE SUPPORTS

CHASSIS: 61380

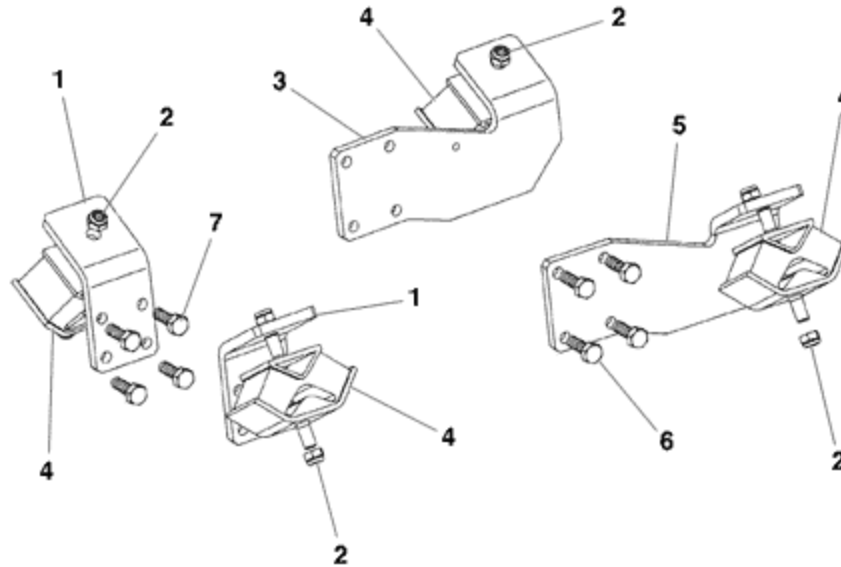


FIGURE	REFERENCE	DENOMINATION	AMOUNT
001	20.02012.01	ENGINE SUPPORT 10X70X105	2
002	711.12000.66	NUT DIN982 M12	8
003	20.02010.01	ENGINE SUPPORT 10X132X237	1
004	20.02019.00	SHOCK ABSORBER, 60x120x64 70 A	4
005	20.02011.01	ENGINE SUPPORT 10X132X237	1
006	603.10035.86	BOLT DIN933 M10x35	8
007	603.10025.86	BOLT DIN933 M10x25	8

ENGINE (ISUZU 4LE2) PÉDALE ACCELERATEUR

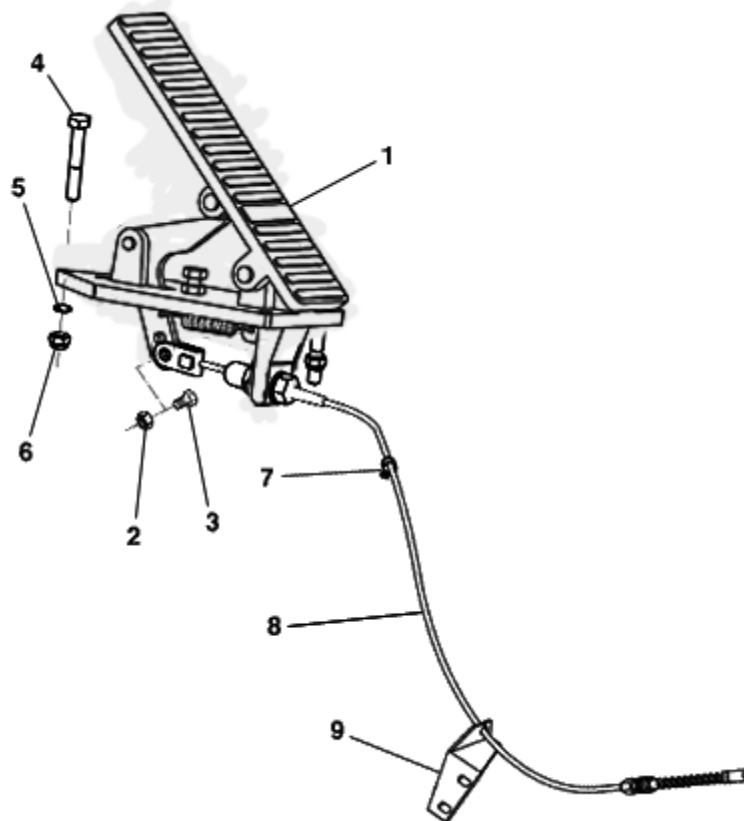


FIGURE	REFERENCE	DENOMINATION	AMOUNT
001	12.02020.00	ACCELERATOR PEDAL VIMOTER	1
002	711.06000.66	NUT DIN982 M6	2
003	603.06020.86	BOLT DIN933 M6x20	2
004	603.06020.86	BOLT DIN933 M6x20	3
005	104.06000.00	WASHER DIN7980 Ø6	3
006	711.06000.66	NUT DIN982 M6	3
007	830.00606.00	CLAMP LOOP	1
008	57.02041.00	CABLE 1925	1
009	10.08055.01	PIPE GUIDE SUPPORT 3X81X103	1