



PARTS MANUAL

MAINTENANCE

FILTERS KIT



FIGURE	REFERENCE	DENOMINATION	AMOUNT
001	KF.20600RE00	C 250 H x2/x4 FILTERS KIT	1

ENGINE (KUBOTA V2003-TE) ENGINE

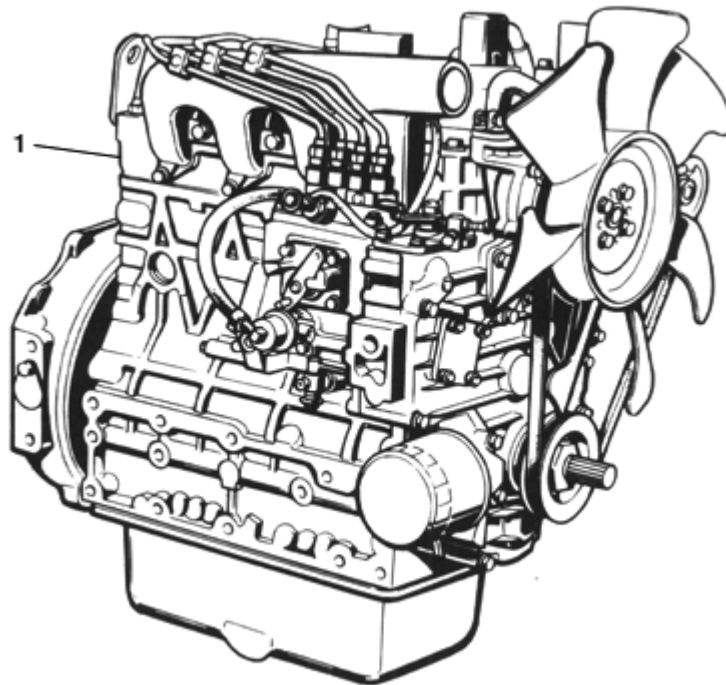


FIGURE	REFERENCE	DENOMINATION	AMOUNT
001	20.02003.00	COMPLETE DIESEL ENGINE KUBOTA V2003-TE	1

ENGINE (KUBOTA V2003-TE)

ENGINE (PART 1)

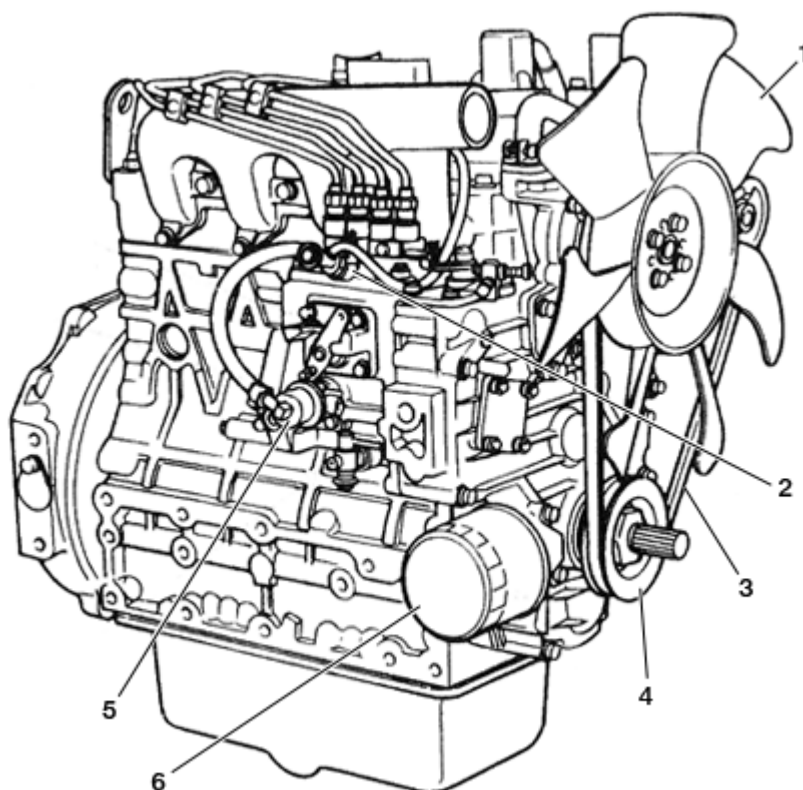


FIGURE	REFERENCE	DENOMINATION	AMOUNT
001	KU.10007.00	FAN	1
002	KU.10013.00	INJECTION PUMP	1
003	KU.10010.00	V BELT	1
004	KU1542474280	FAN DRIVE PULLEY	1
005	KU.10033.00	ELECTRICAL FUEL PUMP	1
006	KU.10004.00	OIL FILTER	1

ENGINE (KUBOTA V2003-TE)

ENGINE (PART 2)

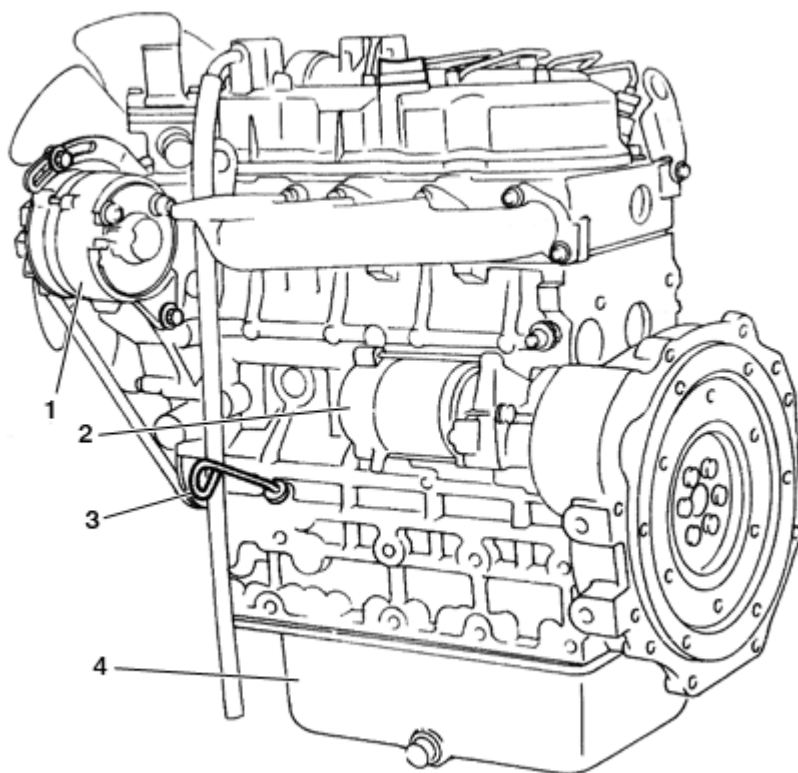


FIGURE	REFERENCE	DENOMINATION	AMOUNT
001	KU.10001.00	ALTERNATOR	1
002	KU.10002.00	STARTING ENGINE	1
003	KU1711136410	OIL GAUGE	1
004	86.00100.16	OIL PAN	1

ENGINE (KUBOTA V2003-TE) PUMP COUPLING (PART 1)

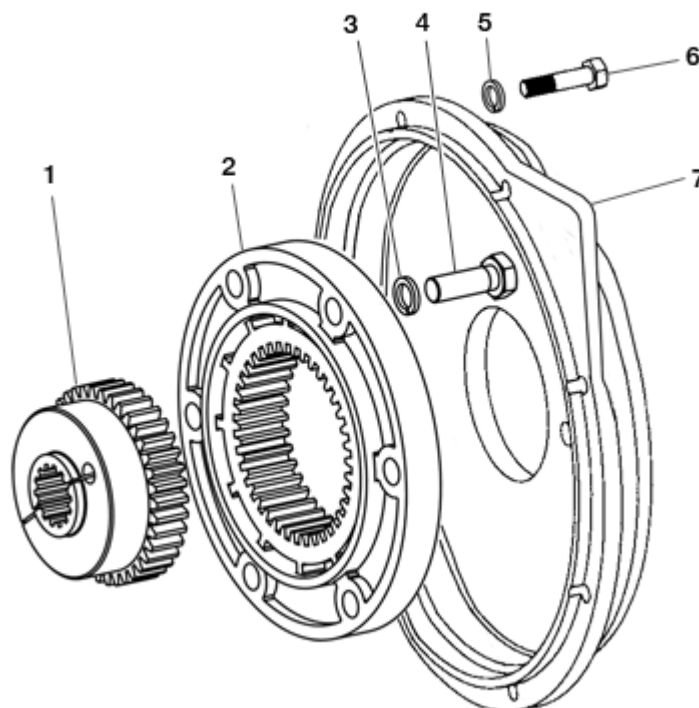


FIGURE	REFERENCE	DENOMINATION	AMOUNT
001	20.02170.00	COUPLING Z38XZ14X45	1
002	20.02172.00	COUPLING 190XZ38X32	1
003	104.12000.00	WASHER DIN7980 D12	6
004	604.12035.86	SCREW DIN931 M12x35	6
005	104.10000.00	WASHER DIN7980 D10	8
006	633.10025.86	SCREW	8
007	20.02171.00	COUPLING CYL/CYL 127X290X55	1

ENGINE (KUBOTA V2003-TE) PUMP COUPLING (PART 2)

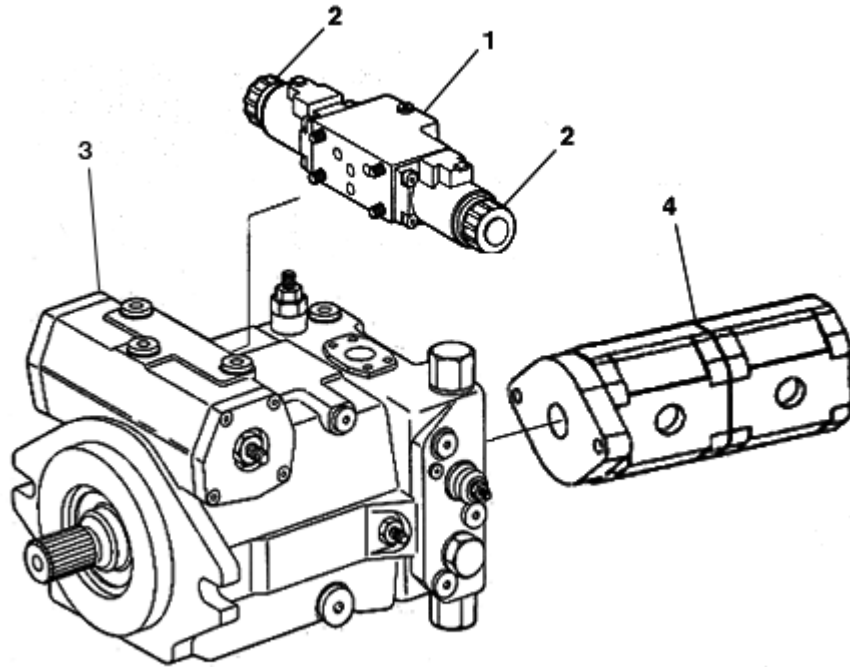


FIGURE	REFERENCE	DENOMINATION	AMOUNT
001	RX.30006.00	ELECTROVALVE	1
002	RX.30005.00	SPOOL	2
003	20.03250.01	HYDR. PUMP 40 CC HYDROMATIC	1
004	43.61522.00	HYDR. PUMP	1

ENGINE (KUBOTA V2003-TE) EXHAUST

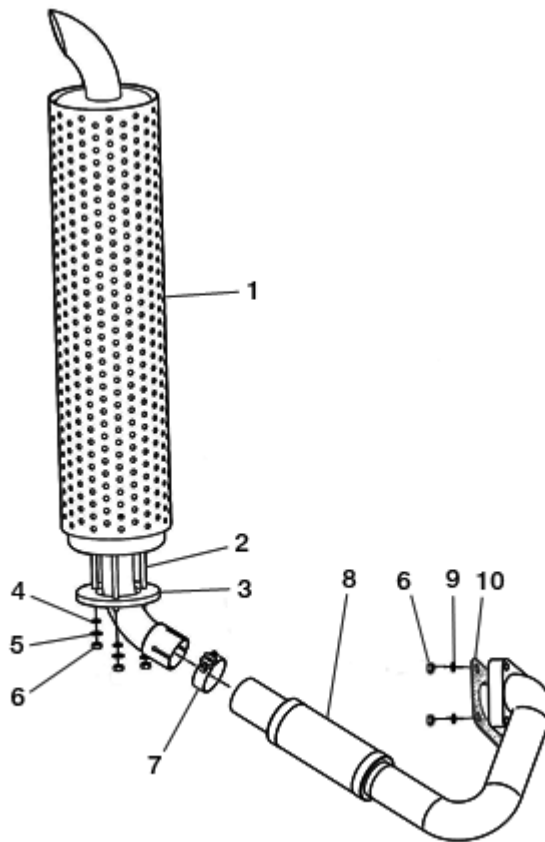


FIGURE	REFERENCE	DENOMINATION	AMOUNT
001	20.02026.01	MUFFLER 1090	1
002	20.02037.00		3
003	20.02020.00	FLANGE	1
004	104.08000.00	WASHER DIN7980 D8	3
005	101.08000.66	WASHER DIN125 D8	3
006	701.08000.66	NUT DIN934 M8x1,25	6
007	936.53000.66	CLAMP DIN 71555 D53	1
008	20.02022.01	EXHAUST MANIFOLD D50X400	1
009	112.08000.66	WASHER DIN9021 D8	3
010	KU1648317110	GASKET	1

ENGINE (KUBOTA V2003-TE)

AIR FILTER

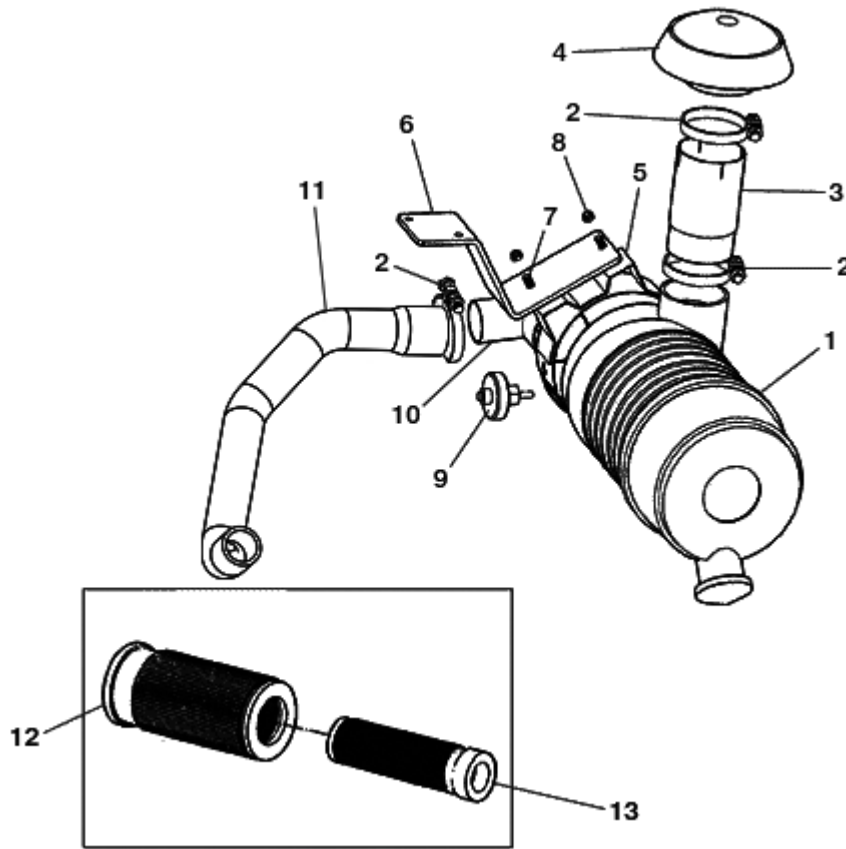


FIGURE	REFERENCE	DENOMINATION	AMOUNT
001	43.01210.00	AIR FILTER	1
002	912.60080.66	CLAMP	3
003	20.02025.00	TUBE	1
004	43.01212.00	GUARD MUFFLER	1
005	43.01211.00	CLAMP	1
006	20.02045.00	AIR FILTER SUPPORT	1
007	603.08025.86	SCREW DIN933 M8x25	2
008	711.08000.66	NUT DIN982 M8	2
009	43.50119.00	INDICATOR	1
010	20.02024.00	TUBE	1
011	20.02049.00	ADMISSION TUBE D40-50X490	1
012	43.01213.00	FILTER ELEMENT 8X140X320 A	1
013	43.01214.00	FILTER ELEMENT 60X80X318 A	1

ENGINE (KUBOTA V2003-TE) ENGINE SUPPORTS

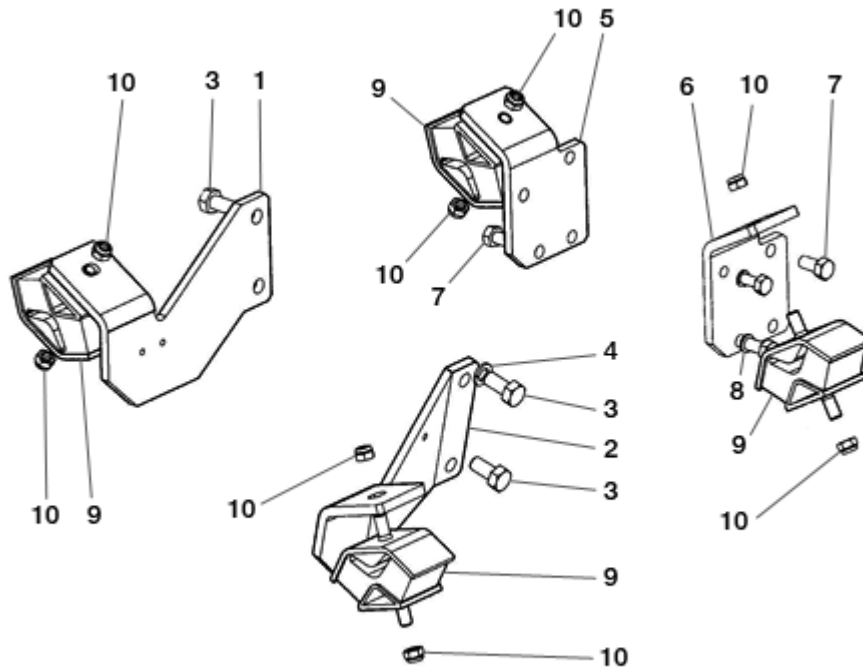


FIGURE	REFERENCE	DENOMINATION	AMOUNT
001	20.02013.00	ENGINE SUPPORT	1
002	20.02014.00	ENGINE SUPPORT	1
003	617.14025.86	SCREW DIN931 M14X25	4
004	104.14000.00	WASHER DIN7980 D14	4
005	20.02015.00	ENGINE SUPPORT	1
006	20.02016.00	ENGINE SUPPORT	1
007	617.12025.86	SCREW DIN933 M12X25x1,25	8
008	104.12000.00	WASHER DIN7980 D12	8
009	15.97770.01	SHOCK ABSORBER 60X120X64 50 A	4
010	720.12000.66	NUT DIN985	8

ENGINE (KUBOTA V2003-TE)

ACCELERATOR PEDAL (PART 1)

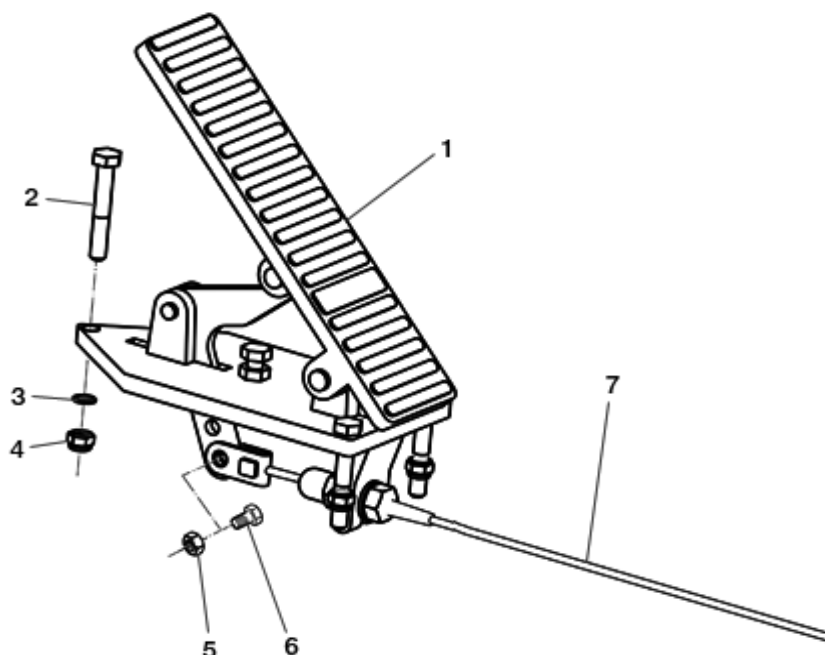


FIGURE	REFERENCE	DENOMINATION	AMOUNT
001	12.02020.00	ACCELERATOR PEDAL VIMOTER	1
002	603.06020.86	SCREW DIN933 M6x20	3
003	104.06000.00	WASHER DIN7980 D6	3
004	701.06000.66	NUT DIN934 M6x1	3
005	711.06000.66	NUT DIN982 M6	1
006	603.06015.86	SCREW DIN933 M6x15	1
007	57.02042.01	ACCELERATOR CABLE D2X1545	1

ENGINE (KUBOTA V2003-TE) ACCELERATOR PEDAL (PART 2)

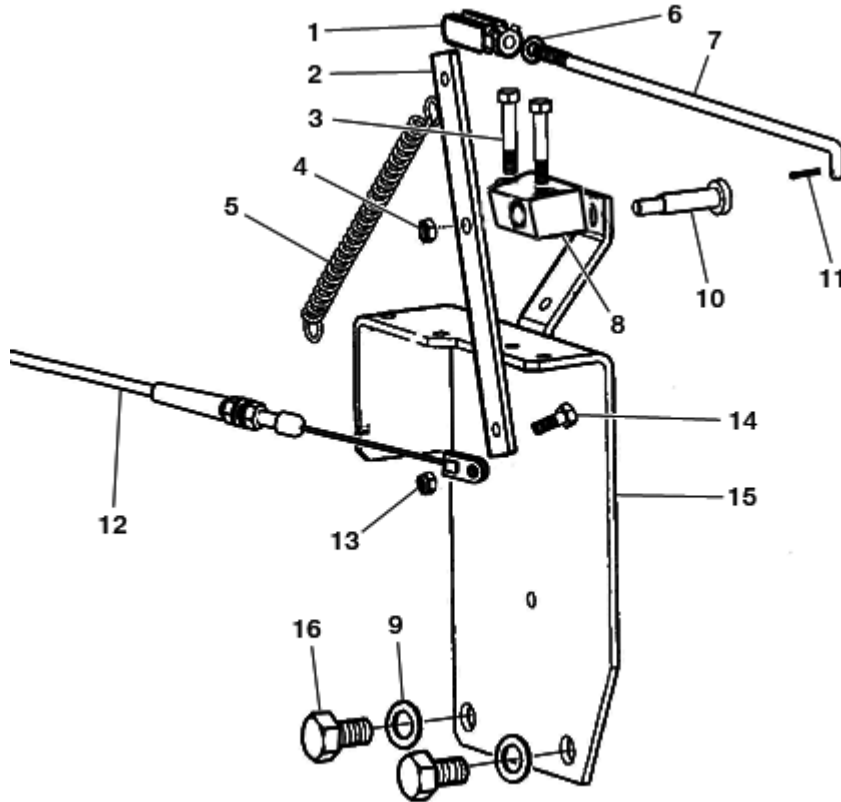


FIGURE	REFERENCE	DENOMINATION	AMOUNT
001	10.16348.00	ACC. FORK	1
002	57.02043.00	LEVER FORWARDS	1
003	604.06035.86	SCREW DIN931	2
004	701.07000.66	NUT DIN934	1
005	45.00139.00	SPRING TENSION (HATZ)	1
006	104.07000.00	WASHER DIN7980 D7	1
007	37.00127.20	ROD FORL6 285 @-@	1
008	01.00126.02	AXLE SUPPORT	1
009	104.12000.00	WASHER DIN7980 D12	2
010	00.01366.01	AXLE CIL/ROS	1
011	401.02025.60	PIN	1
012	57.02042.01	ACCELERATOR CABLE D2X1545	1
013	711.06000.66	NUT DIN982 M6	1
014	603.06020.86	SCREW DIN933 M6x20	1
015	57.02044.00	SUPPORT	1
016	603.08025.86	SCREW DIN933 M8x25	2

ENGINE (KUBOTA V2003-TE) FUEL TANK (PART 1)

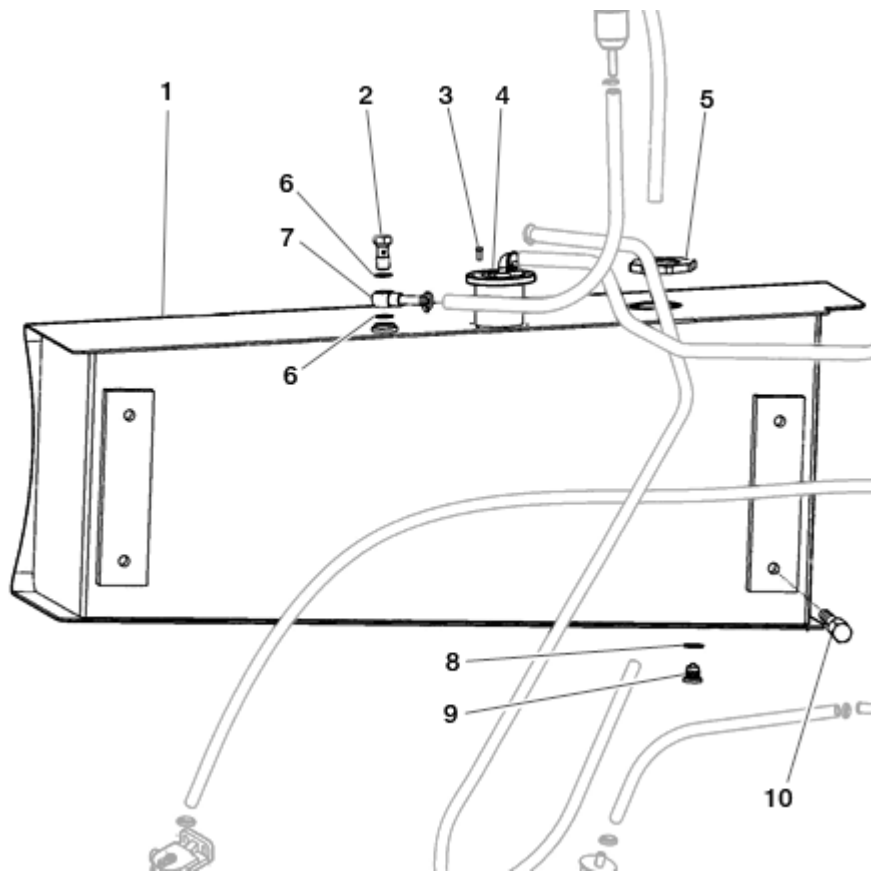


FIGURE	REFERENCE	DENOMINATION	AMOUNT
001	20.02040.01	FUEL TANK 50 L	1
002	28.00340.00	NIPPLE SCREW SIM.	1
003	615.04020.66	SCREW DIN84	4
004	10.14287.00	LEVEL	1
005	15.01524.01	CAP WITH LOCK 40X72	1
006	28.00341.00	METAL BUNA GASKET D1/4'	2
007	45.04106.00	NIPPLE O/TB	1
008	107.14000.10	WASHER AL. 14x20x1,5	1
009	10.00921.00	CAP	1
010	603.12020.86	SCREW DIN933	2

ENGINE (KUBOTA V2003-TE) FUEL TANK (PART 2)

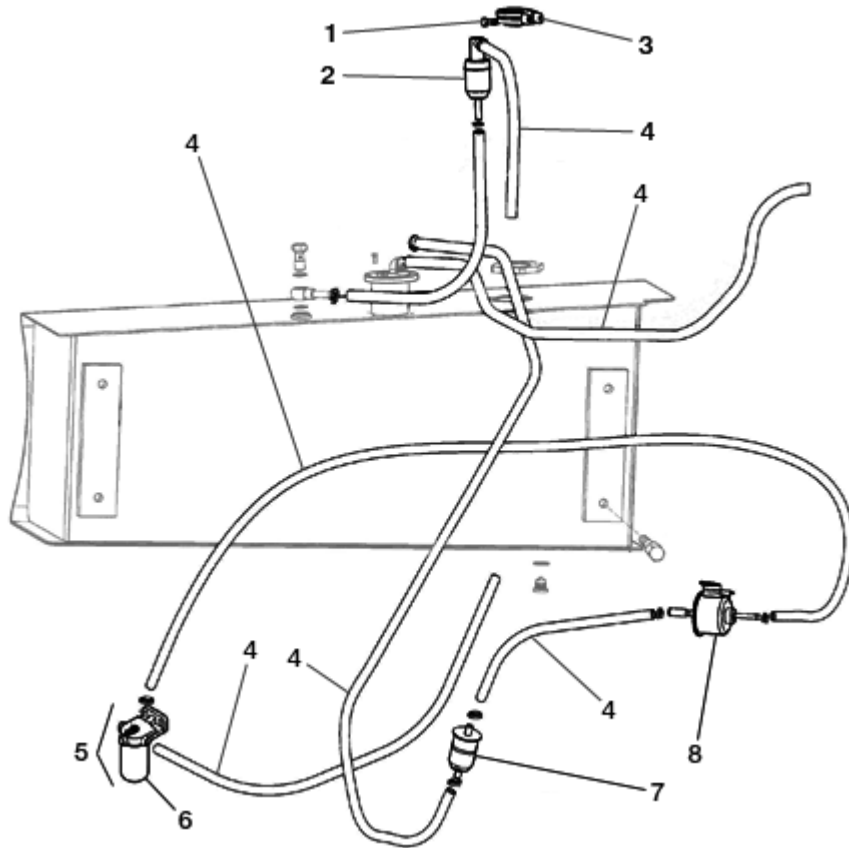


FIGURE	REFERENCE	DENOMINATION	AMOUNT
001	603.06015.86	SCREW DIN933 M6x15	2
002	45.01526.00	FILTER FUEL	2
003	830.03006.00	CLAMP LOOP	2
004	469.03014.00	HOSE L/P MAT. 8X14	1
005	KU1560143010	FUEL FILTER ASSY	1
006	KU.10005.00	FUEL FILTER CARTRIDGE	1
007	KU.10034.00	PRE-FILTER	1
008	KU.10033.00	ELECTRICAL FUEL PUMP	1

ENGINE (KUBOTA V2003-TE)

FUEL TANK (PART 3)

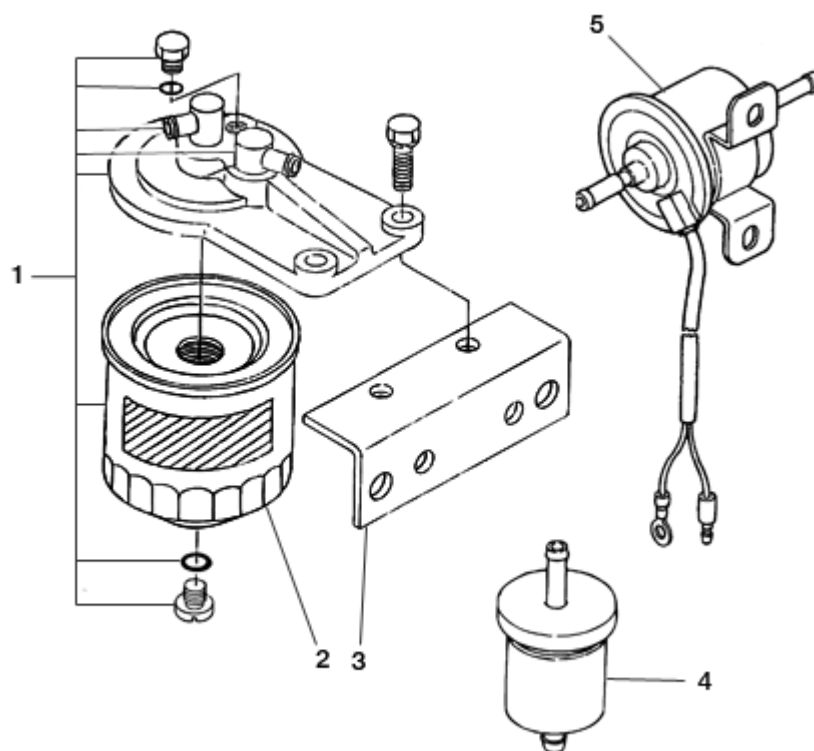


FIGURE	REFERENCE	DENOMINATION	AMOUNT
001	KU1560143010	FUEL FILTER ASSY	1
002	KU.10005.00	FUEL FILTER CARTRIDGE	1
003	KU1941643433	FUEL FILTER SUPPORT	1
004	KU.10034.00	PRE-FILTER	1
005	KU.10033.00	ELECTRICAL FUEL PUMP	1

ENGINE (KUBOTA V2003-TE) RADIATOR (PART 1)

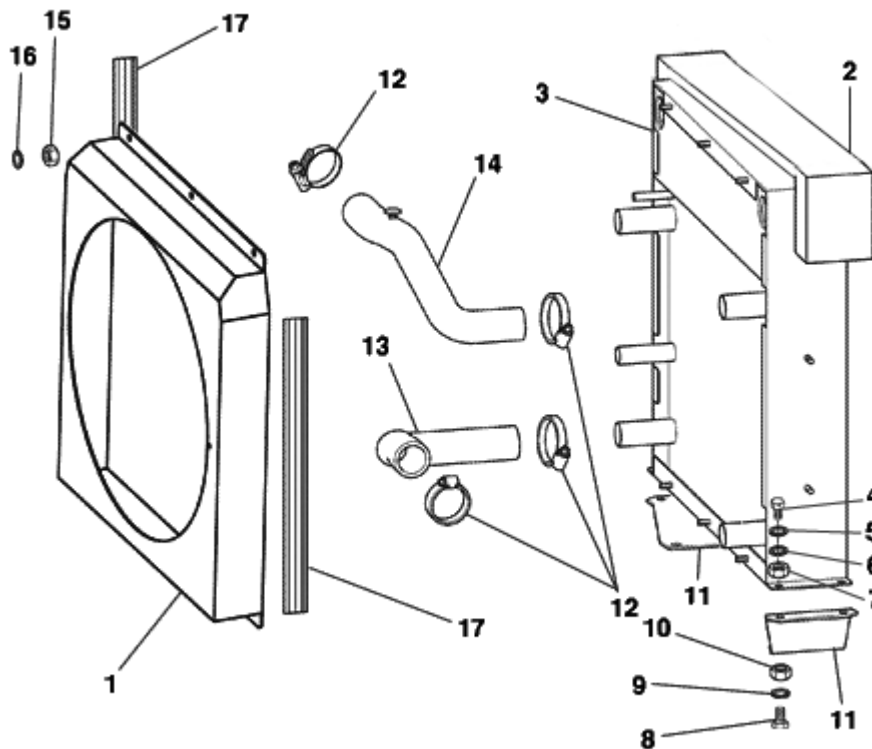


FIGURE	REFERENCE	DENOMINATION	AMOUNT
001	20.02053.02	RADIATOR PROTECTOR 65X450X499	1
002	20.02072.01	RADIATOR PROTECTION	1
003	20.02051.01	RADIATOR	1
004	603.08020.86	SCREW DIN933 M8x20	4
005	101.08000.66	WASHER DIN125 D8	4
006	104.08000.00	WASHER DIN7980 D8	4
007	701.08000.66	NUT DIN934 M8x1,25	4
008	603.10040.86	SCREW DIN933	4
009	101.10000.66	WASHER DIN125 D10	4
010	711.10000.66	NUT DIN982 M10x1,5	4
011	57.02053.00	SUPPORT	2
012	912.30045.00	CLAMP	4
013	20.02054.00	TUBE B/P D30XD34	1
014	20.02055.00	TUBE	1
015	701.06000.66	NUT DIN934 M6x1	6
016	104.06000.00	WASHER DIN7980 D6	6
017	472.00411.00	RUBBER PROFILE MAT.	2

ENGINE (KUBOTA V2003-TE) RADIATOR (PART 2)

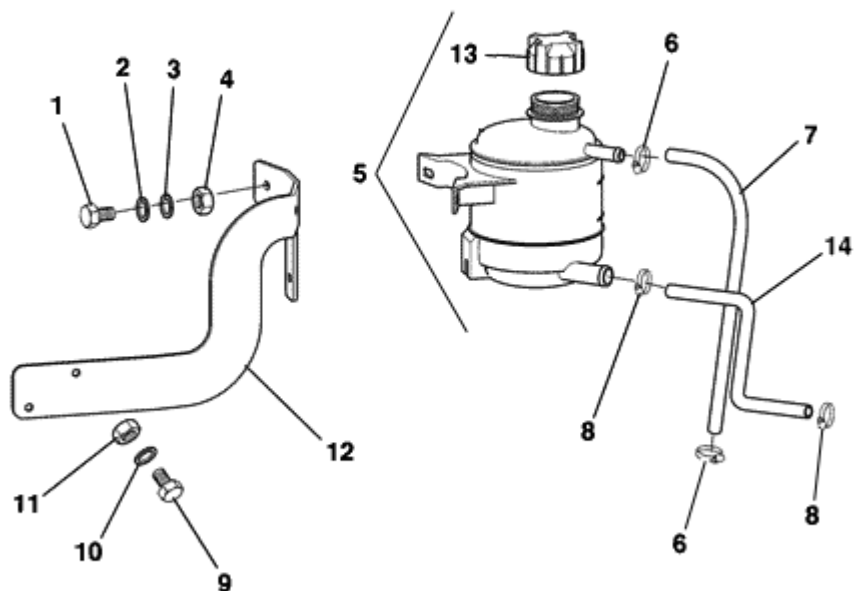


FIGURE	REFERENCE	DENOMINATION	AMOUNT
001	603.06020.86	SCREW DIN933 M6x20	3
002	101.06000.66	WASHER DIN125 D6	3
003	104.06000.00	WASHER DIN7980 D6	3
004	701.06000.66	NUT DIN934 M6x1	3
005	46.00171.01	EXPANSION TANK	1
006	912.08016.66	CLAMP	2
007	469.01017.00	TUBE B/P 10X17	1
008	912.20032.00	CLAMP	2
009	603.06015.86	SCREW DIN933 M6x15	2
010	104.06000.00	WASHER DIN7980 D6	2
011	701.06000.66	NUT DIN934 M6x1	2
012	57.02059.00	SUPPORT	1
013	09.00172.02	TANK CAP 1 BAR	1
014	464.03024.00	TUBE MAT.	1

TRANSMISSION INCHING PEDAL

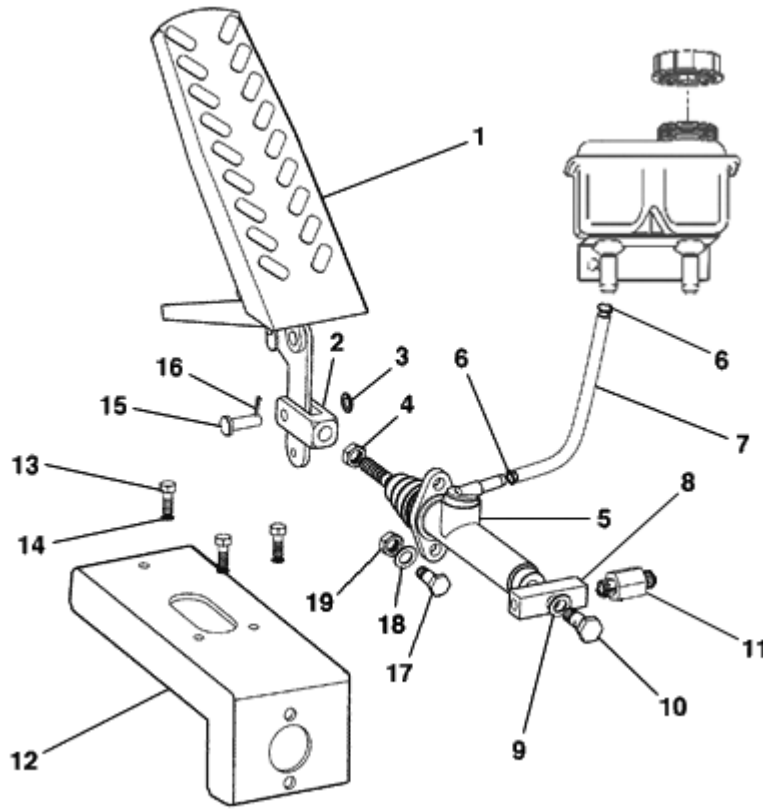


FIGURE	REFERENCE	DENOMINATION	AMOUNT
001	43.80250.01	REDUCER BOX	1
002	20.05040.00	FORK	1
003	101.08000.66	WASHER DIN125 D8	1
004	701.10000.66	NUT DIN934 M10x1,5	1
005	20.03070.00	BRAKE PUMP	1
006	912.08000.66	CLAMP D8-8	2
007	20.05004.00	TUBE	1
008	20.03075.00	CONNECTOR	1
009	106.10000.20	WASHER CU 10x15x1,5	2
010	46.01065.01	NIPPLE SCREW SIM.	1
011	20.03072.00	PRESSURE SWITCH	1
012	20.03073.00	BRAKE PUMP SUPPORT	1
013	603.06025.86	SCREW DIN933 M6x25	3
014	104.06000.00	WASHER DIN7980 D6	3
015	01.00514.01	AXLE CIL/CPA	1
016	401.02020.66	SPLIT PIN DIN94	1
017	603.08025.86	SCREW DIN933 M8x25	2
018	104.08000.00	WASHER DIN7980 D8	2

**TRANSMISSION
INCHING PEDAL**

FIGURE	REFERENCE	DENOMINATION	AMOUNT
019	701.08000.66	NUT DIN934 M8x1,25	2

TRANSMISSION REDUCTION BOX

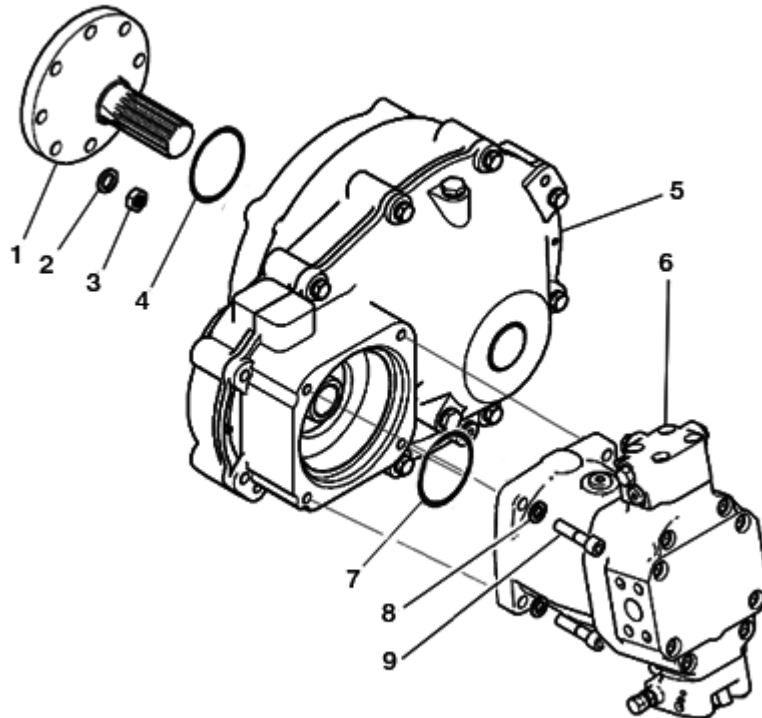


FIGURE	REFERENCE	DENOMINATION	AMOUNT
001	57.03102.00	CYLINDER AXLE	1
002	106.10000.20	WASHER CU 10x15x1,5	1
003	720.10000.66	NUT DIN985	8
004	201.25435.50	GASKET	1
005	20.03140.00		1
006	57.03260.00	HYDROSTATIC MOTOR 80CC.	1
007	201.10025.50	O-RING DIN3770	1
008	104.12000.00	WASHER DIN7980 D12	4
009	601.12045.86	SCREW DIN912	4