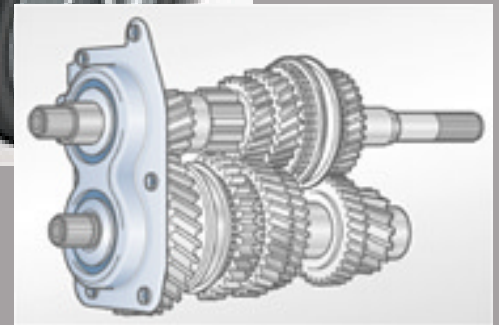


Service.



## AUDI A2 - Engine and Gearbox

Design and Function

Self-study programme 247





	Page
<b>Overview</b>	
Engine .....	4
1.4 I - TDI (55 kW) AMF .....	4
1.4 I - 16 V (55 kW) AUA .....	5
Gearbox .....	6
<b>Engine</b>	
Design and function of the 1.4 I - 16 V engine .....	7
System overview .....	16
Lambda control of the Euro-On-Board Diagnosis .....	21
Functional overview .....	24
<b>Gearbox</b>	
Overview .....	26
Housing .....	28
Gearbox design .....	30
Double synchronisation .....	35
Gear shifting .....	39
Actuators and sensors .....	42

The self-study programme will provide you with information on design and functions.

**It is not intended as a workshop manual!**

For maintenance and repairs please refer to the current technical literature.

**New**



**Attention  
Note**



# Overview

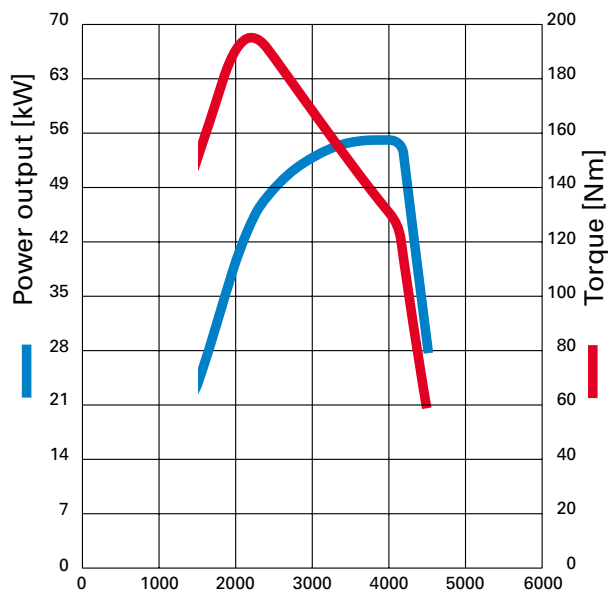


## Engine

### 1.4 I - TDI (55 kW) AMF



SSP247\_071



SSP247\_072

### Technical data

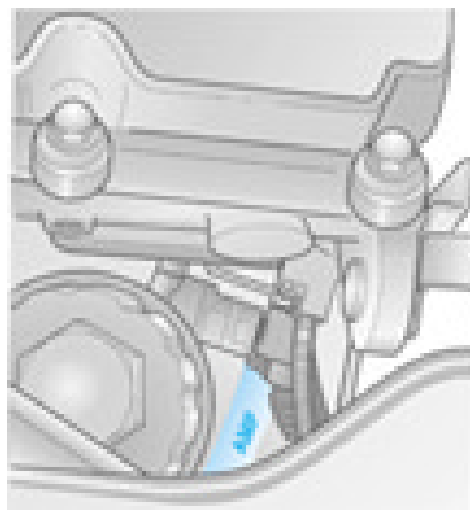
Engine code:	AMF
Design:	Turbocharged three-cylinder in-line engine
Capacity:	1422 cm <sup>3</sup>
Power output:	55 kW (75 PS) at 4000 rpm
Torque:	195 Nm at 2200 rpm
Bore:	79.5 mm
Stroke:	95.5 mm
Compression:	19.5 : 1
Weight:	130 kg

Firing order:	1 - 2 - 3
Mixture induction:	Direct injection with pump-nozzle unit
Turbocharger:	Garrett GT 12 turbocharger with wastegate
Exhaust emissions control:	Oxidising catalytic converter and exhaust gas recirculation
Exhaust emissions standard:	EU 3
Fuel:	Diesel, cetane rating at least 49 CN, RME



Please refer to SSP 223 for the design and function of the 1.4 I TDI pump-nozzle engine.

The engine code and engine number are located on the front engine/gearbox flange.



SSP247\_026