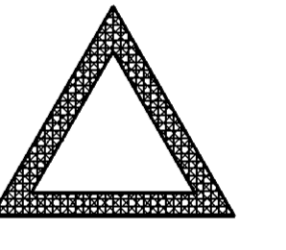


Be very careful when strapping and lifting the rig!
The lift must be done through the centre of gravity
so the rig is balanced during lifting.

Strapping and lifting must be done under
the following conditions:

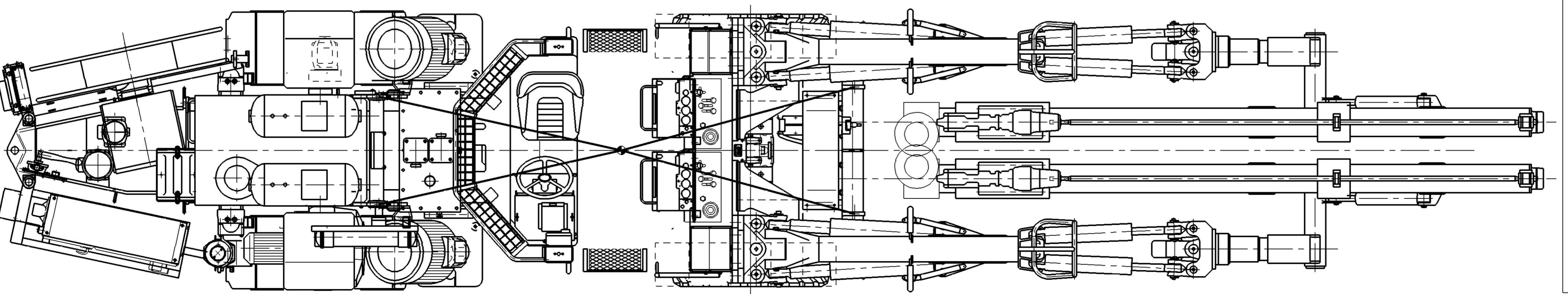
- Rock drill and feed placed in rear position
and the feed adjusted parallel to the bom.
- When lifting the unit and transporting it on
another vehicle the articulated joint must be
locked with the lock bar and lock pins
supplied with the unit.
- Attach the straps to the eyelets
acc. to the figure!
Check that the lift is done through
the centre of gravity!
- Lift carefully! Make sure that unit is stable
and that the straps do not slip!



Iakttag stor försiktighet vid stroppning
och lyftning av rigg. Lyftet ska ske i
tyngdpunkten så att riggen balanseras.

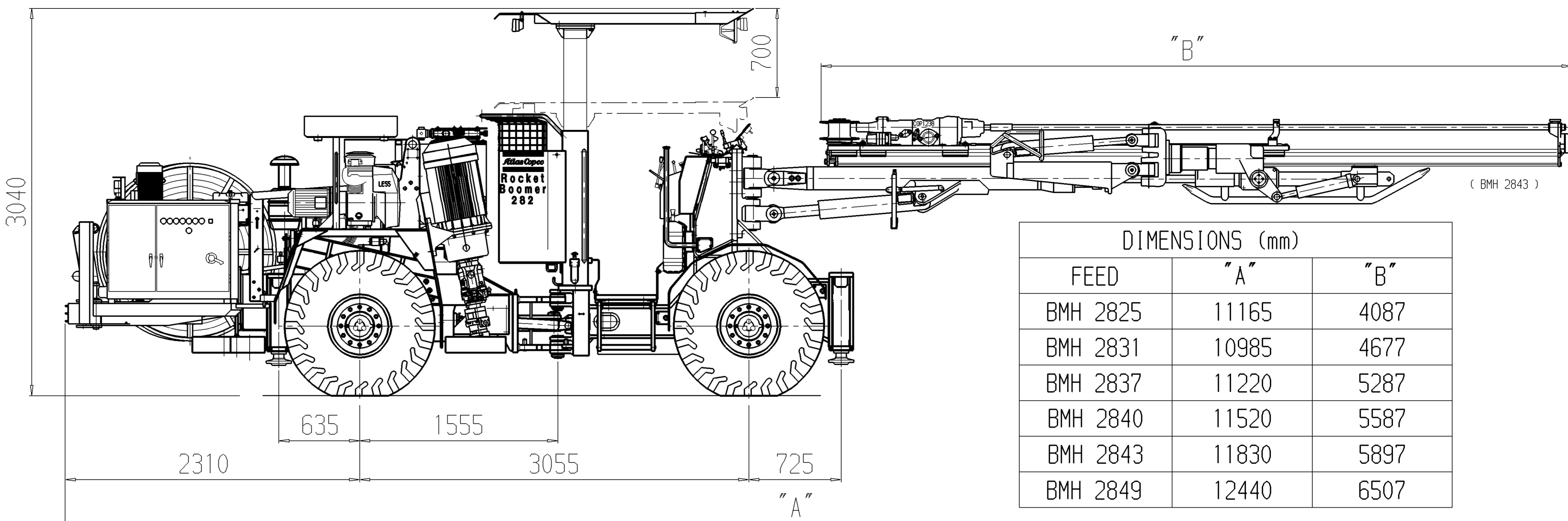
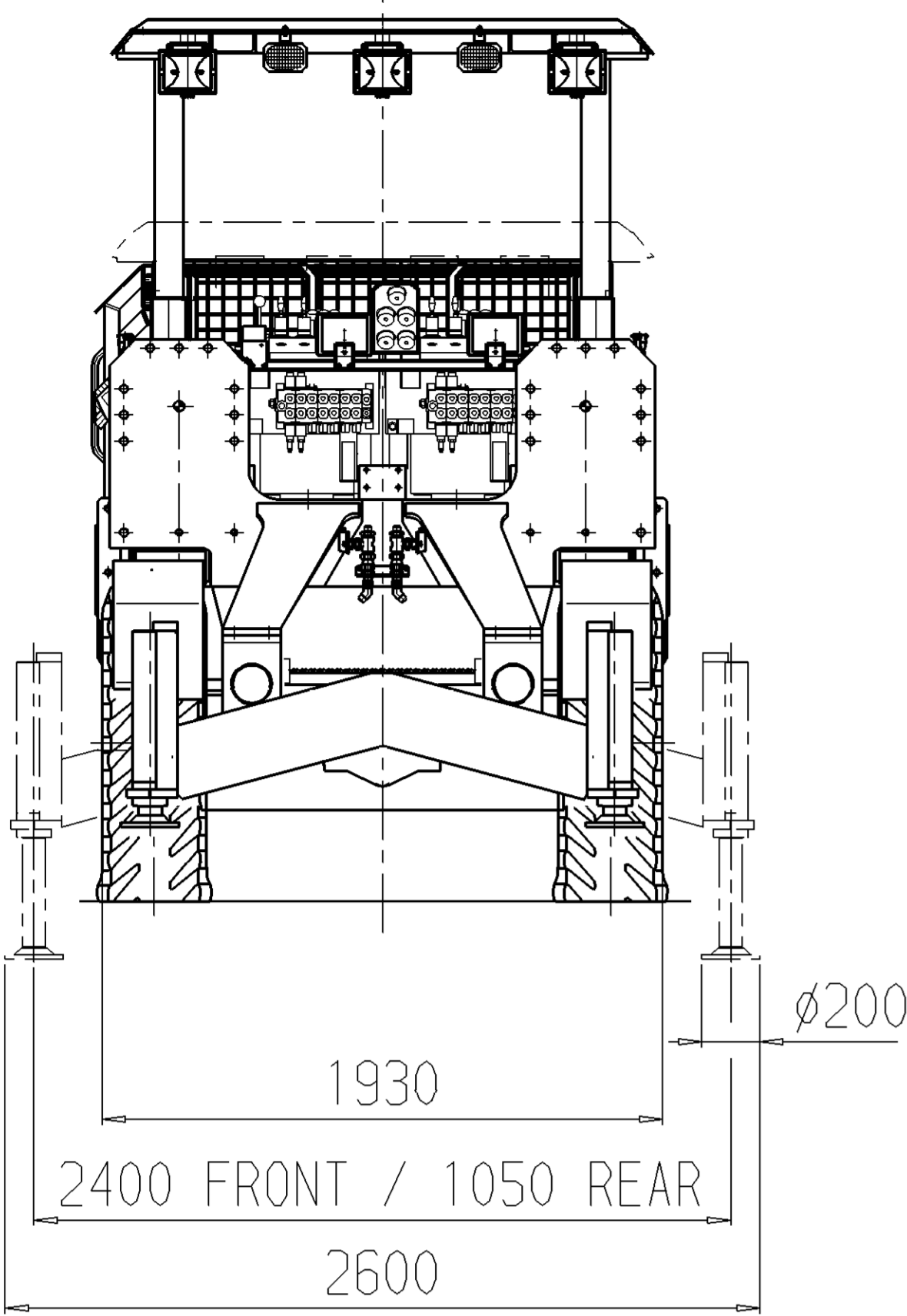
Stroppning och lyftning ska ske enligt följande:

- Bergbormaskin och matare ska vara körda till
sina bakre lägen, och mataren ska vara ställd
parallellt med bomkroppen.
- Vid lyftning av aggregatet, och vid transport
av detta på annat fordon, ska ramleden vara låst
med låsstaget säkrad med tillhörande låssprintar.
- Fäst stropparna i öglorna enligt bilden.
Kontrollera att lyftet sker över tyngdpunkten.
- Lyft försiktigt. Se till att riggen inte kommer
i svängning och att stropparna inte glider.

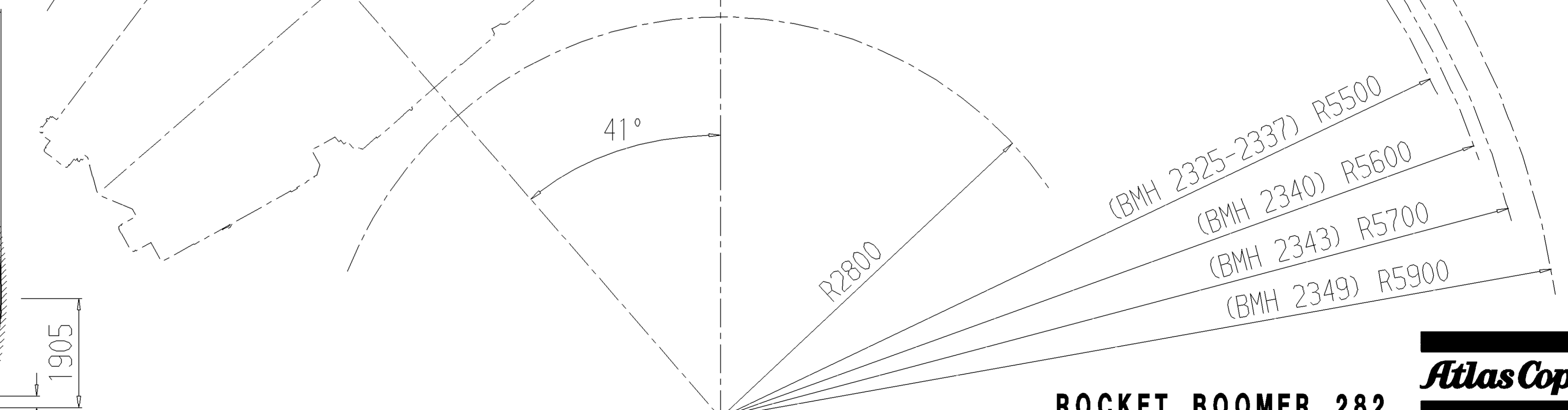
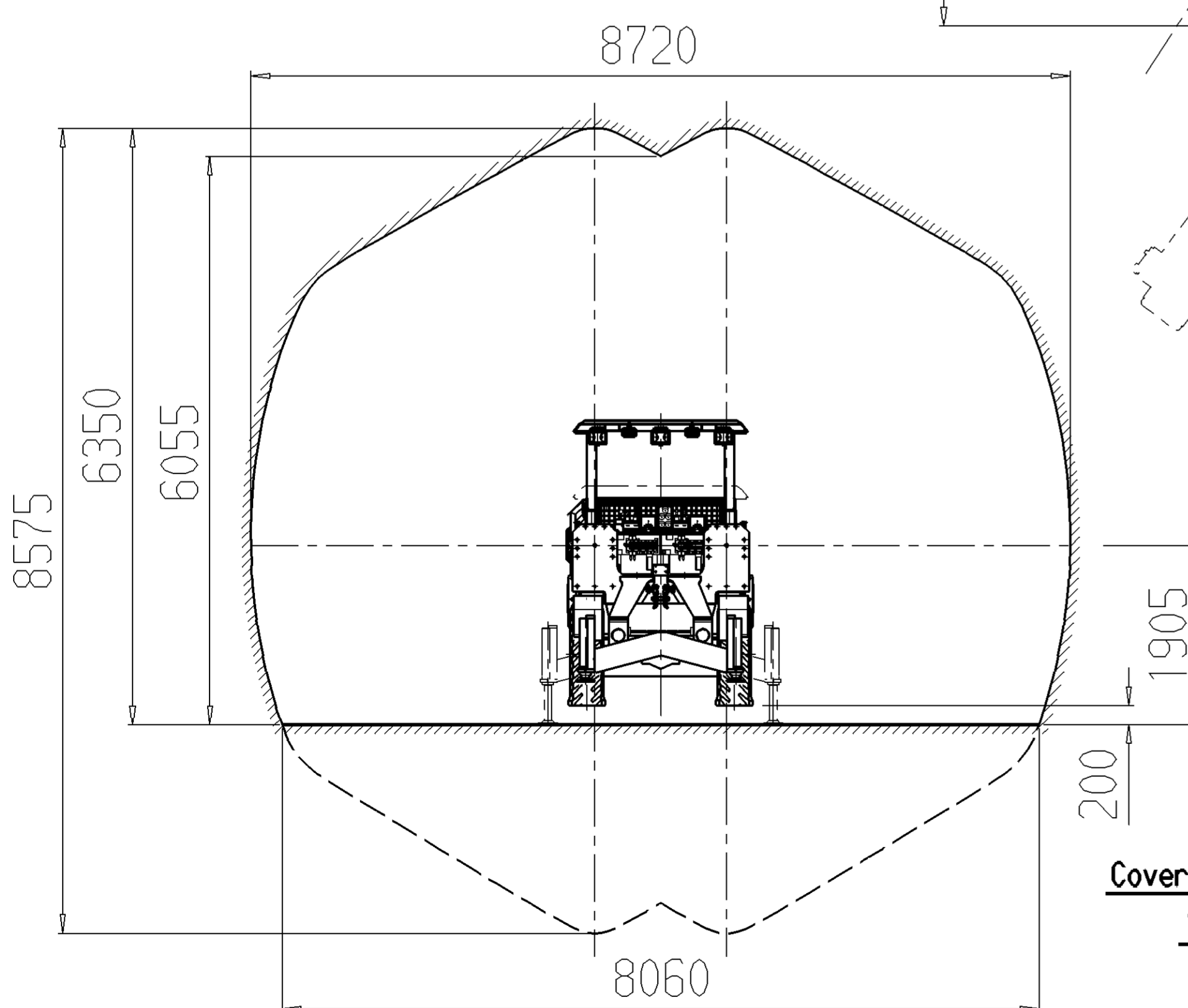
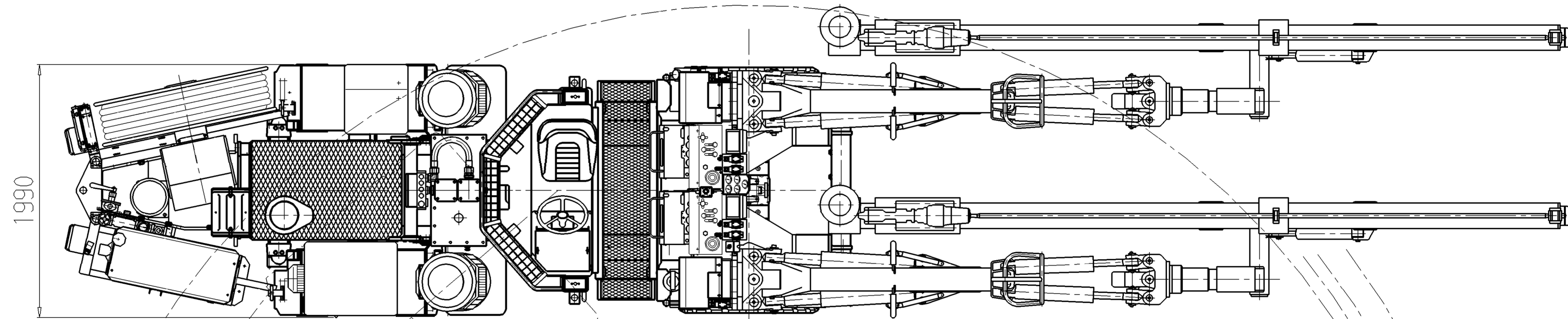


| Pos. | Designation | Number | Name | Material |
|---|-------------|----------|----------|---------------|
| Tolerances, if not indicated, according to: ATLAS COPCO STANDARD / Class | | | | |
| | | 1350 K / | | |
| Name: STROPPANVISNING / STRAPPING DESCRIPTION | | | | Secrecy class |
| Material: BOOMER 282 | | | | 1102 K / |
| | | | | CAD |
| Scale | 1:20 | File | Compare | Drawn |
| MB | | Blank | Replaces | TMG |
| Blk.wt. | | kg | Fin.wt. | |
| Transferred from | | | | Designation |
| | | | | 9110 9378 03 |
| Appr. TUG/GJ | | | | Date 98-04-28 |

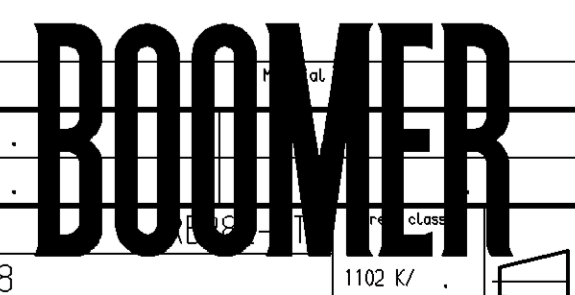
This document is for private use only. It is not to be used for reproduction or distribution. If you are a manufacturer or distributor, you must obtain permission from the copyright owner.



| DIMENSIONS (mm) | | |
|-----------------|-------|------|
| FEED | "A" | "B" |
| BMH 2825 | 11165 | 4087 |
| BMH 2831 | 10985 | 4677 |
| BMH 2837 | 11220 | 5287 |
| BMH 2840 | 11520 | 5587 |
| BMH 2843 | 11830 | 5897 |
| BMH 2849 | 12440 | 6507 |



ROCKET BOOMER 282



| | | | |
|--|-------------|-------------------------|---------------|
| Pos. | Designation | Number | Rev. |
| 01 | 282 | | |
| Referenced to max. incline according to: | | Machined surfaces | |
| ATLAS COPCO STANDARD / CLASS | | 1350 K / | |
| Scale: 2x COP 1838 / DIM. DRWG. | | | |
| Material: | | 1102 K / | |
| 2x COP 1838 | | 2x BMH 2800-2x COP 1838 | |
| Scale: | Fin. wt. | Replaces: | TMG |
| 2x COP 1838 | | | |
| Transferred from: | | Appr. UF | Date 99-05-25 |
| Appearance drawings and documents | | 9119 2270 28 | |

Coverage Area
1:50

This document is for private use only. It is not to be used for reproduction or distribution. All rights reserved. Atlas Copco AB, 1102 K, Stockholm, Sweden.