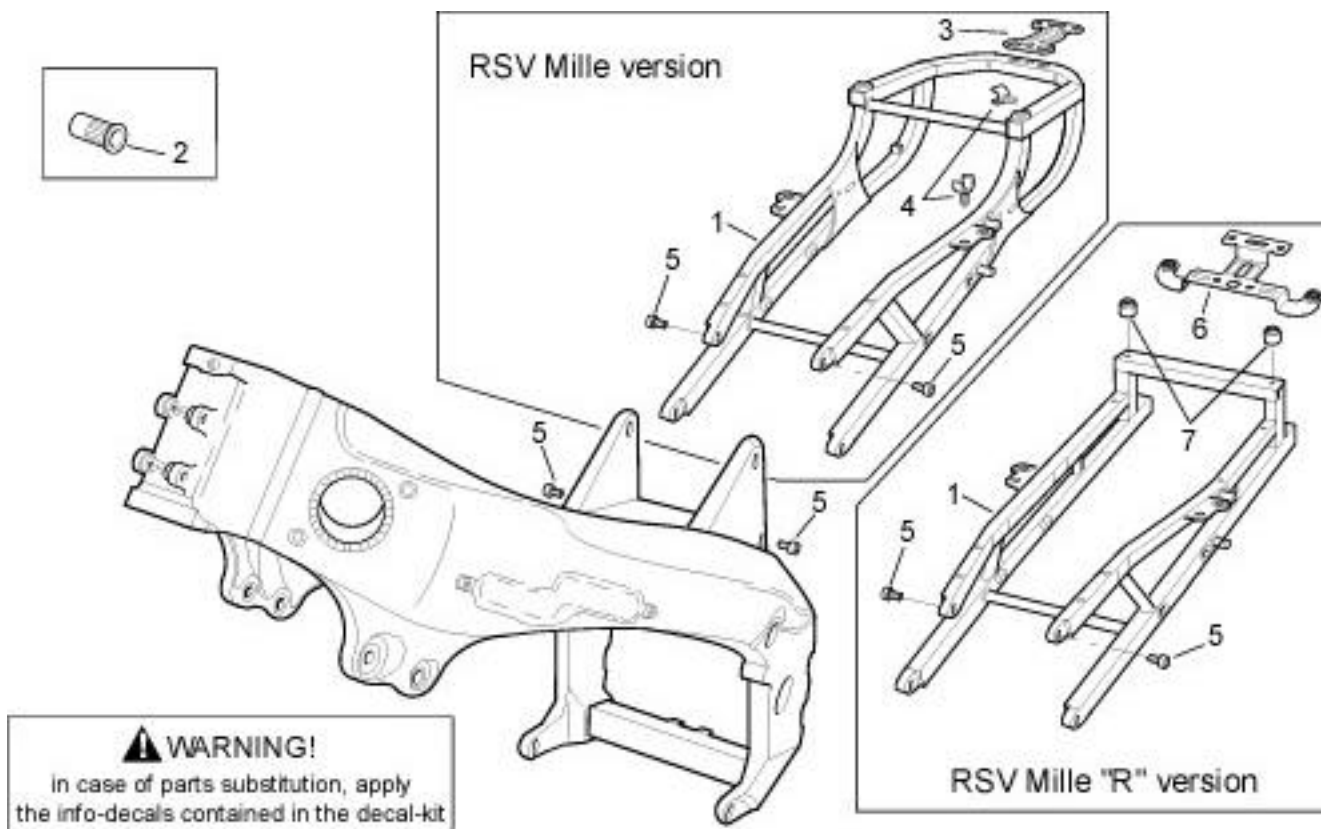


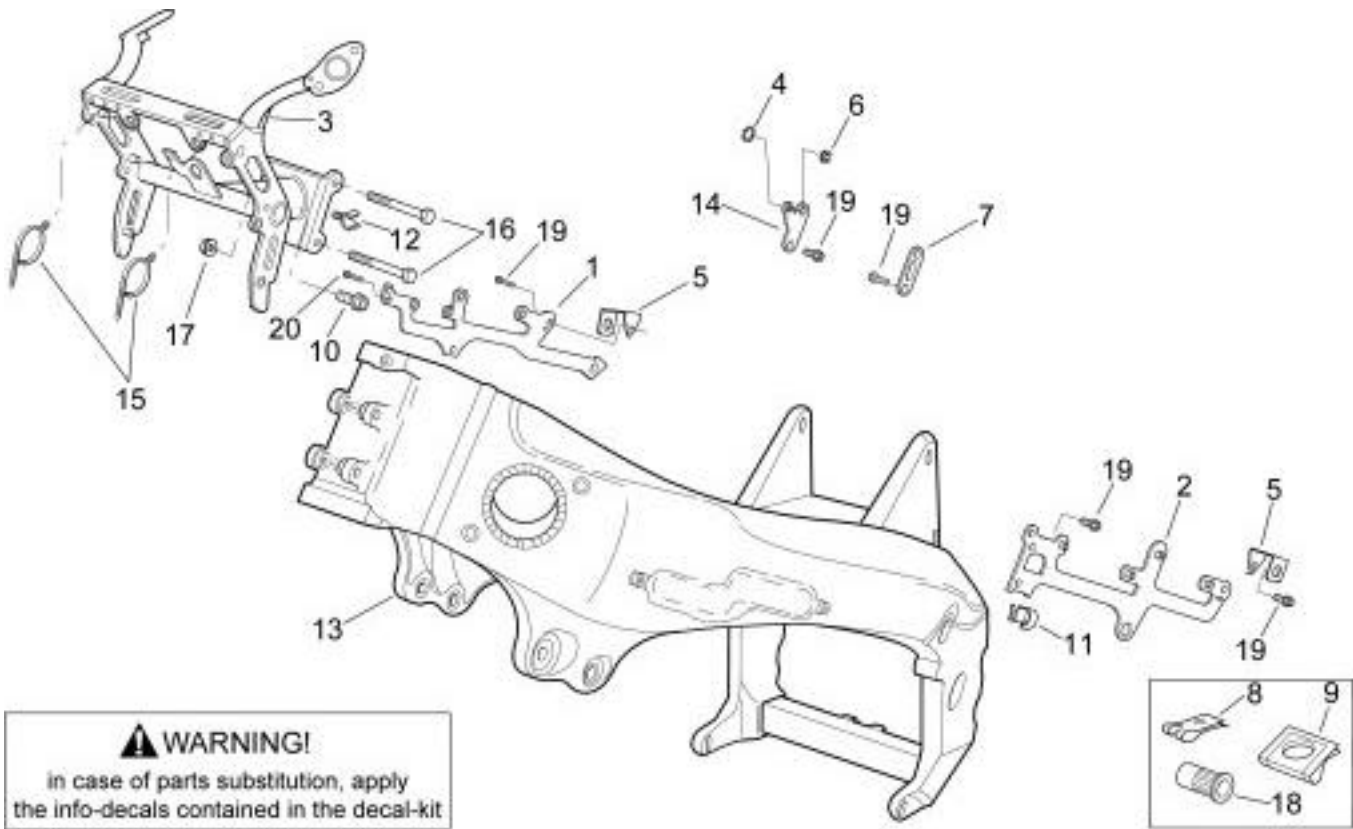
Aprilia Rsv Mille Parts List

Full download: <http://manualplace.com/download/aprilia-rsv-mille-parts-list/>



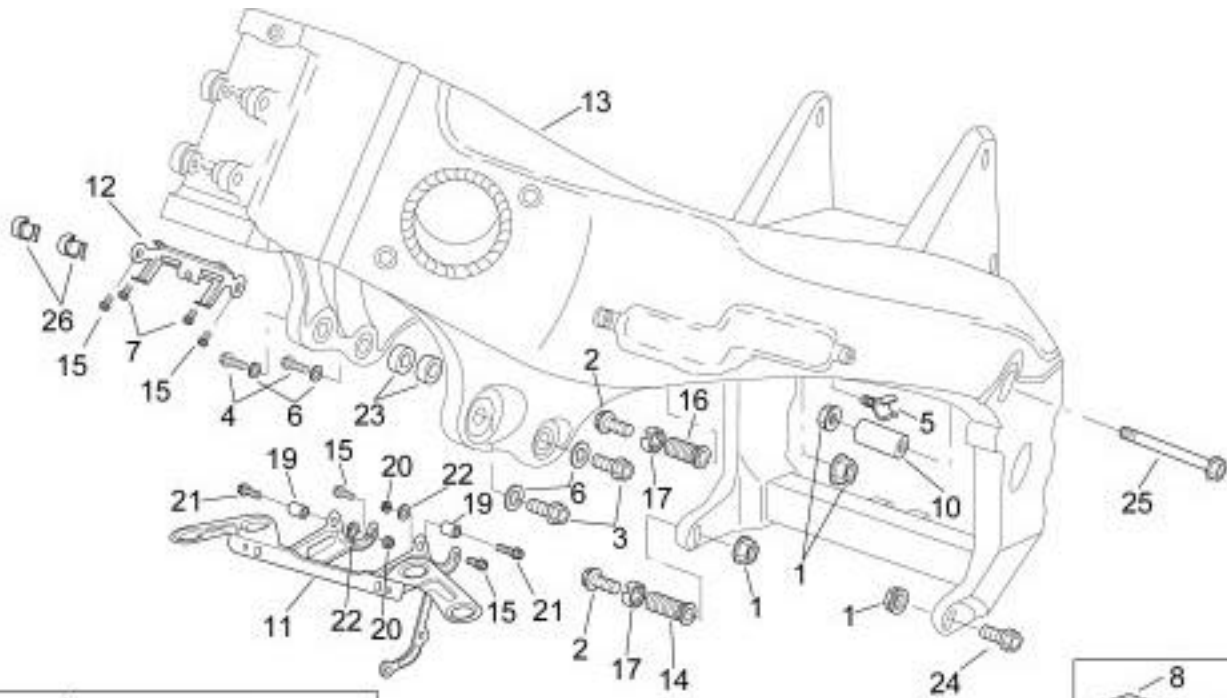
• [frame I](#)

REF. TAV.	DESCR.	DETAIL	VERSION	VERSION 1	COUNTRY	MODEL
1	Saddel support		R	-	-	RSV Mille 2000 + "R"
1	Saddel support		STD	-	-	RSV Mille 2000 + "R"
2	Threaded and rivet		-	-	-	RSV Mille 2000 + "R"
3	Rear fairing support		STD	-	-	RSV Mille 2000 + "R"
4	Cable-guide		-	-	-	RSV Mille 2000 + "R"
5	Hex socket screw	m10x30	-	-	-	RSV Mille 2000 + "R"
6	Pass.saddle connecting plate		R	-	-	RSV Mille 2000 + "R"
7	Spacer		R	-	-	RSV Mille 2000 + "R"



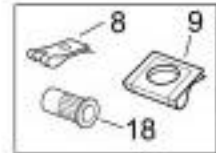
• [frame II](#)

REF. TAV.	DESCR.	DETAIL	VERSION	VERSION 1	COUNTRY	MODEL
1	Coil support, RH		-	-	-	RSV Mille 2000 + "R"
2	Coil support, LH		-	-	-	RSV Mille 2000 + "R"
3	Instrum.holder frame		-	-	-	RSV Mille 2000 + "R"
4	Circlip	d8	-	-	-	RSV Mille 2000 + "R"
5	Fairing connecting plate		-	-	-	RSV Mille 2000 + "R"
6	Snap ring		-	-	-	RSV Mille 2000 + "R"
7	Fairing fixing plate		-	-	-	RSV Mille 2000 + "R"
8	Clip	M5*	-	-	-	RSV Mille 2000 + "R"
9	Clip	M6*	-	-	-	RSV Mille 2000 + "R"
10	Screw w/ flange	M5x12*	-	-	-	RSV Mille 2000 + "R"
11	Black cable guide		-	-	-	RSV Mille 2000 + "R"
12	Cable-guide		-	-	-	RSV Mille 2000 + "R"
13	Frame		-	-	I-A-AUS-B-CH-D-DK-E- F-GR-J-NL-P-UK	RSV Mille 2000 + "R"
13	Frame		-	-	USA	RSV Mille 2000 + "R"
14	Min.eng.spd.cable plate		-	-	-	RSV Mille 2000 + "R"
15	Hose clamp		-	-	-	RSV Mille 2000 + "R"
16	Screw	m6x70*	-	-	-	RSV Mille 2000 + "R"
17	Self-locking nut	M6*	-	-	-	RSV Mille 2000 + "R"
18	Threaded and rivet		-	-	-	RSV Mille 2000 + "R"
19	Screw w/ flange	M6x16*	-	-	-	RSV Mille 2000 + "R"
20	Screw w/ flange	M6x20*	-	-	-	RSV Mille 2000 + "R"



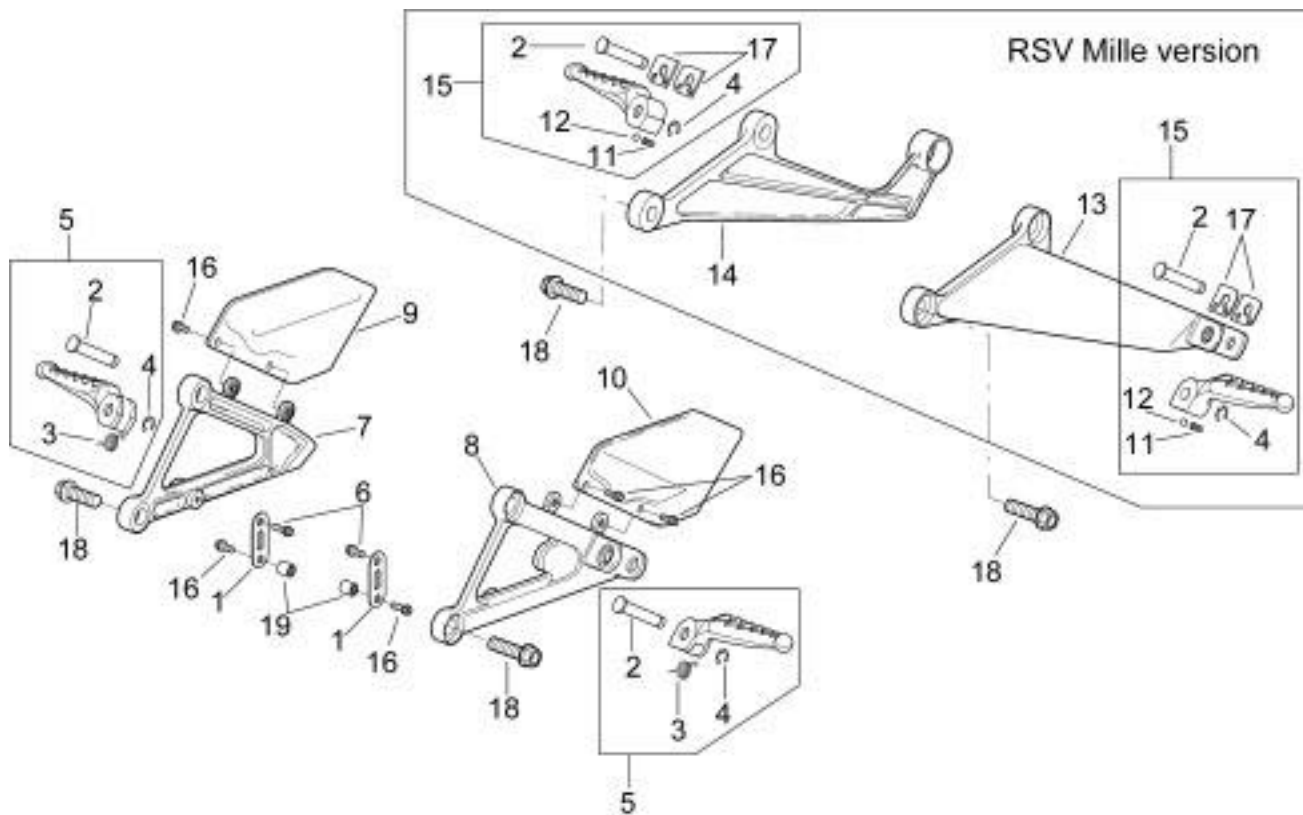
⚠ WARNING!

in case of parts substitution, apply the info-decals contained in the decal-kit



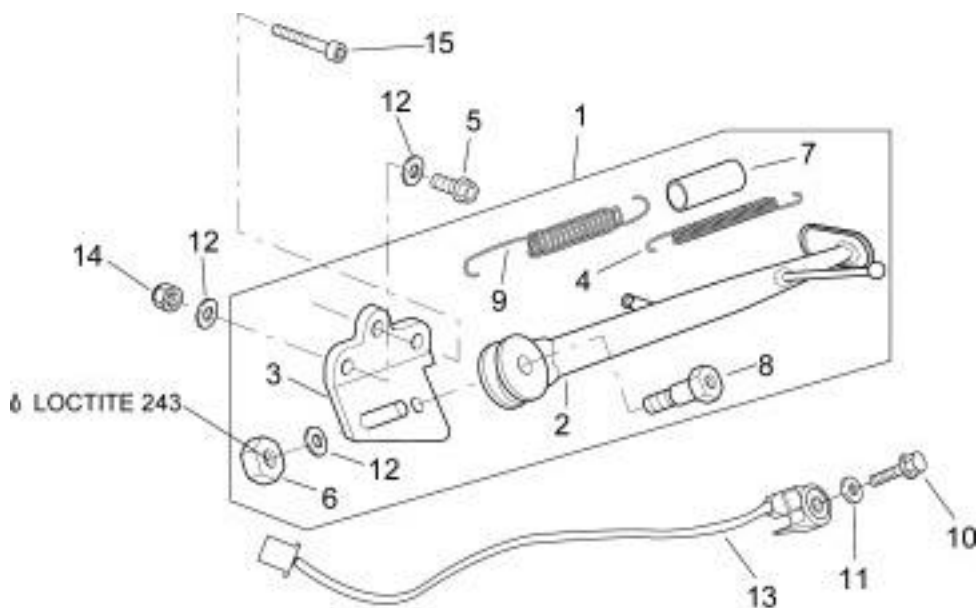
• [frame III](#)

REF. TAV.	DESCR.	DETAIL	VERSION	VERSION 1	COUNTRY	MODEL
1	Self-locking nut	M10*	-	-	-	RSV Mille 2000 + "R"
2	Screw w/ flange	m10x100	-	-	-	RSV Mille 2000 + "R"
3	Screw w/ flange	M10X35	-	-	-	RSV Mille 2000 + "R"
4	Screw w/ flange	m10x40	-	-	-	RSV Mille 2000 + "R"
5	Cable-guide		-	-	USA	RSV Mille 2000 + "R"
5	Cable-guide		-	-	I-A-AUS-B-CH-D-DK-E-F-GR-J-NL-P-UK	RSV Mille 2000 + "R"
6	Curved spring washer	*	-	-	-	RSV Mille 2000 + "R"
7	Screw w/ flange	M6x16*	-	-	-	RSV Mille 2000 + "R"
8	Clip	M5*	-	-	-	RSV Mille 2000 + "R"
9	Clip	M6*	-	-	-	RSV Mille 2000 + "R"
10	Upper engine spacer		-	-	-	RSV Mille 2000 + "R"
11	Lower water cooler support		-	-	-	RSV Mille 2000 + "R"
12	Water cooler upper support		-	-	-	RSV Mille 2000 + "R"
13	Frame		-	-	I-A-AUS-B-CH-D-DK-E-F-GR-J-NL-P-UK	RSV Mille 2000 + "R"
13	Frame		-	-	USA	RSV Mille 2000 + "R"
14	Lower adjustment bush		-	-	-	RSV Mille 2000 + "R"
15	Screw w/ flange	M6x16*	-	-	-	RSV Mille 2000 + "R"
16	Upper adjustment bush		-	-	-	RSV Mille 2000 + "R"
17	Eng.connect.elem.ring nut		-	-	-	RSV Mille 2000 + "R"
18	Threaded and rivet		-	-	-	RSV Mille 2000 + "R"
19	Conical bush		-	-	-	RSV Mille 2000 + "R"
20	Low self-locking nut	M6*	-	-	-	RSV Mille 2000 + "R"
21	Screw w/ flange	M6x30*	-	-	-	RSV Mille 2000 + "R"
22	Washer		-	-	-	RSV Mille 2000 + "R"
23	LH front engine spacer		-	-	-	RSV Mille 2000 + "R"
24	Screw w/ flange	m10x75	-	-	-	RSV Mille 2000 + "R"
25	Screw w/ flange	m10x110	-	-	-	RSV Mille 2000 + "R"
26	Black cable guide		-	-	-	RSV Mille 2000 + "R"



• foot rests

REF. TAV.	DESCR.	DETAIL	VERSION	VERSION_1	COUNTRY	MODEL
1	Fairing fixing plate		-	-	-	RSV Mille 2000 + "R"
2	Footrest pin		-	-	-	RSV Mille 2000 + "R"
3	Footrest return spring		-	-	-	RSV Mille 2000 + "R"
4	Stop ring		-	-	-	RSV Mille 2000 + "R"
5	Front footrest, pair		-	-	-	RSV Mille 2000 + "R"
6	Screw w/ flange	M6x16*	-	-	-	RSV Mille 2000 + "R"
7	RH front footrest bracket		-	-	-	RSV Mille 2000 + "R"
8	LH front footrest bracket		-	-	-	RSV Mille 2000 + "R"
9	RH front footrest guard		-	-	-	RSV Mille 2000 + "R"
10	LH front footrest guard		-	-	-	RSV Mille 2000 + "R"
11	Coil compress. spring	*	STD	-	-	RSV Mille 2000 + "R"
12	Ball	D6,35	STD	-	-	RSV Mille 2000 + "R"
13	LH footrest support		STD	-	-	RSV Mille 2000 + "R"
14	RH footrest support		STD	-	-	RSV Mille 2000 + "R"
15	Rear footrests, pair		STD	-	-	RSV Mille 2000 + "R"
16	Screw w/ flange	M6x12*	-	-	-	RSV Mille 2000 + "R"
17	Footrest plate		STD	-	-	RSV Mille 2000 + "R"
18	Screw w/ flange	M8x30*	-	-	-	RSV Mille 2000 + "R"
19	Threaded and rivet		-	-	-	RSV Mille 2000 + "R"

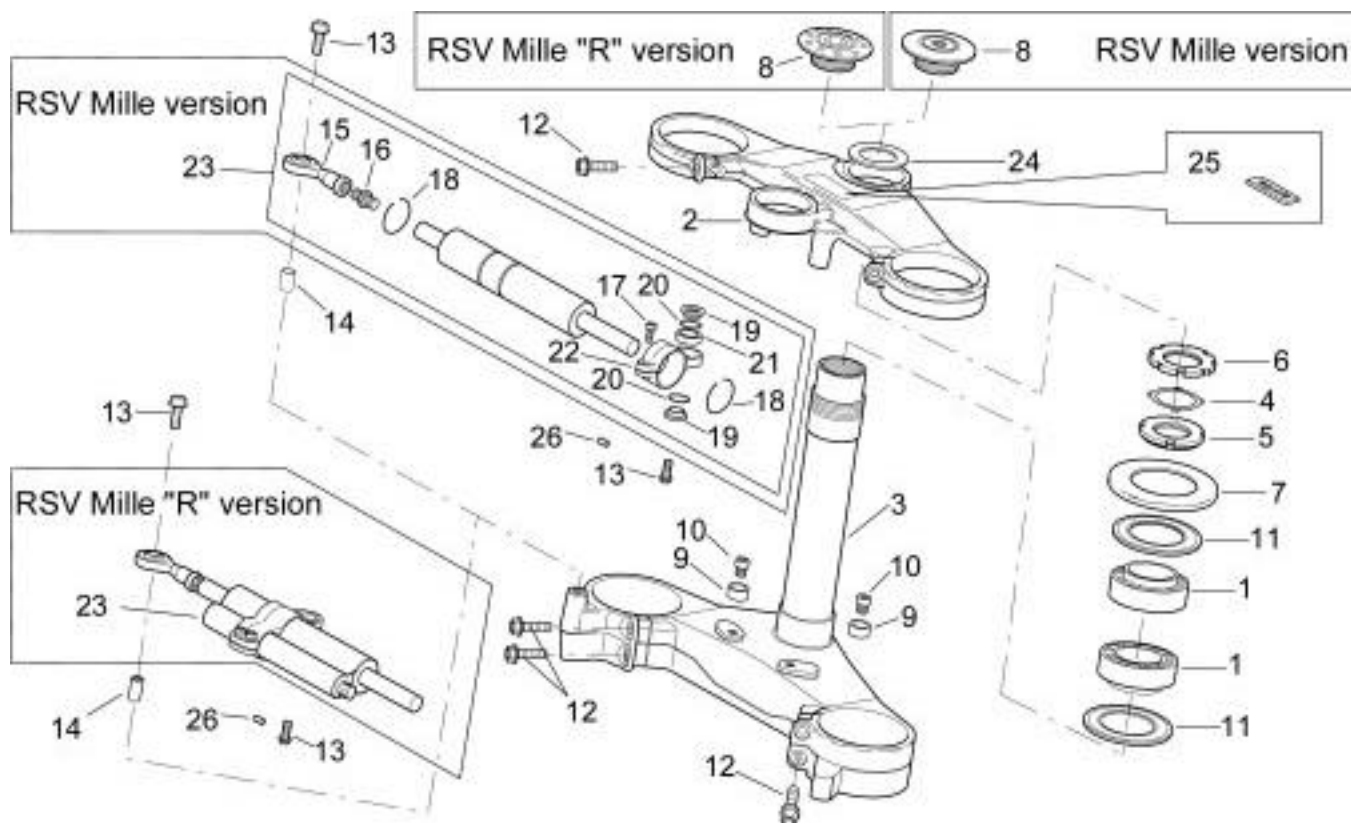


• central stand

REF. TAV.	DESCR.	DETAIL	VERSION	VERSION 1	COUNTRY	MODEL
1	Cavalletto cpl.		-	-	I-A-AUS-B-CH-D-DK-E-F-GR-J-NL-P-UK	RSV Mille 2000 + "R"
1	Cavalletto cpl.		-	-	USA	RSV Mille 2000 + "R"
2	Cavalletto cpl.		-	-	USA	RSV Mille 2000 + "R"
2	Cavalletto laterale		-	-	I-A-AUS-B-CH-D-DK-E-F-GR-J-NL-P-UK	RSV Mille 2000 + "R"
3	Piastra cavalletto		-	-	I-A-AUS-B-CH-D-DK-E-F-GR-J-NL-P-UK	RSV Mille 2000 + "R"
3	Piastra cavalletto		-	-	USA	RSV Mille 2000 + "R"
4	Molla elica cilind.trazione	*	-	-	-	RSV Mille 2000 + "R"
5	Vite TE flangiata	m10x30	-	-	I-A-AUS-B-CH-D-DK-E-F-GR-J-NL-P-UK	RSV Mille 2000 + "R"
5	Vite TCEI	m10x45	-	-	USA	RSV Mille 2000 + "R"
6	Dado basso	M10x1,25*	-	-	-	RSV Mille 2000 + "R"
7	Protezione molla cavalletto		-	-	-	RSV Mille 2000 + "R"
8	Vite cavalletto		-	-	I-A-AUS-B-CH-D-DK-E-F-GR-J-NL-P-UK	RSV Mille 2000 + "R"
8	Vite cavalletto		-	-	USA	RSV Mille 2000 + "R"
9	Molla ritorno cavalletto		-	-	-	RSV Mille 2000 + "R"
10	Vite TE flangiata	M6x20*	-	-	-	RSV Mille 2000 + "R"
11	Rosetta	6,6x18x1,6*	-	-	-	RSV Mille 2000 + "R"
12	Rosetta elastica curva	*	-	-	-	RSV Mille 2000 + "R"
13	Interruttore rotativo		-	-	-	RSV Mille 2000 + "R"
14	Dado autobloc.basso	M10*	-	-	USA	RSV Mille 2000 + "R"
15	Vite TCEI	M10x95*	-	-	USA	RSV Mille 2000 + "R"

Aprilia Rsv Mille Parts List

Full download: <http://manualplace.com/download/aprilia-rsv-mille-parts-list/>



• steering

REF. TAV.	DESCR.	DETAIL	VERSION	VERSION_1	COUNTRY	MODEL
1	Axial ball bearing		-	-	-	RSV Mille 2000 + "R"
2	Fork upper plate		STD	-	-	RSV Mille 2000 + "R"
2	Fork upper plate		R	-	-	RSV Mille 2000 + "R"
3	Stem base		R	-	-	RSV Mille 2000 + "R"
3	Stem base		STD	-	-	RSV Mille 2000 + "R"
4	Steering security plate		-	-	-	RSV Mille 2000 + "R"
5	Ring nut		-	-	-	RSV Mille 2000 + "R"
6	Return ring nut		-	-	-	RSV Mille 2000 + "R"
7	Dust cover ring		-	-	-	RSV Mille 2000 + "R"
8	Upper plate fixing bush		STD	-	-	RSV Mille 2000 + "R"
8	Upper plate fixing bush		R	-	-	RSV Mille 2000 + "R"
9	Steering lock bush		-	-	-	RSV Mille 2000 + "R"
10	Hex socket screw	M8x16*	-	-	-	RSV Mille 2000 + "R"
11	Dust cover ring		-	-	-	RSV Mille 2000 + "R"
12	Screw w/ flange	M8x35*	-	-	-	RSV Mille 2000 + "R"
13	Screw w/ flange	M6x30*	-	-	-	RSV Mille 2000 + "R"
14	Spacer	*	-	-	-	RSV Mille 2000 + "R"
15	Articulated head		STD	-	-	RSV Mille 2000 + "R"
16	Steering shockabs.union		STD	-	-	RSV Mille 2000 + "R"
17	Hex socket screw	M6x12*	STD	-	-	RSV Mille 2000 + "R"
18	Circlip		STD	-	-	RSV Mille 2000 + "R"
19	T bush		STD	-	-	RSV Mille 2000 + "R"
20	O-ring	119	STD	-	-	RSV Mille 2000 + "R"
21	Ball joint		STD	-	-	RSV Mille 2000 + "R"
22	Steering shockabs. collar		STD	-	-	RSV Mille 2000 + "R"
23	Steering shock absorber		R	-	-	RSV Mille 2000 + "R"
23	Steering shock absorber		STD	-	-	RSV Mille 2000 + "R"
24	Stem plug washer		-	-	-	RSV Mille 2000 + "R"
25	"Aprilia" dataplate		-	-	-	RSV Mille 2000 + "R"
26	Dowel	m5 l.8	-	-	-	RSV Mille 2000 + "R"