

Service

Service Diesel engine

Service Machine

Maintenance

Trouble shooting

Electronics

Hydraulics

Mechanical Data

Technical Data

Technical data sheet

Hydraulic scheme

Hose plan

Elektronics plan

RW 1504 E / P33/24 HHM

RW 1504 HF/HK/HFK
P33/24 HHMR/HHMC/HHMCR

Diesel engine



Overview

RW 1504 -HF/-HK/-HFK

P 33/24 -HHMC/-HHMR/-HHMCR

Overview components

Technical Description

Fastening torque for
bolted joint

Valve play

Injection valve

Fuel pump

Injection device

Hatz 2G40

- Operating manual
- Technical manual

Injection pump

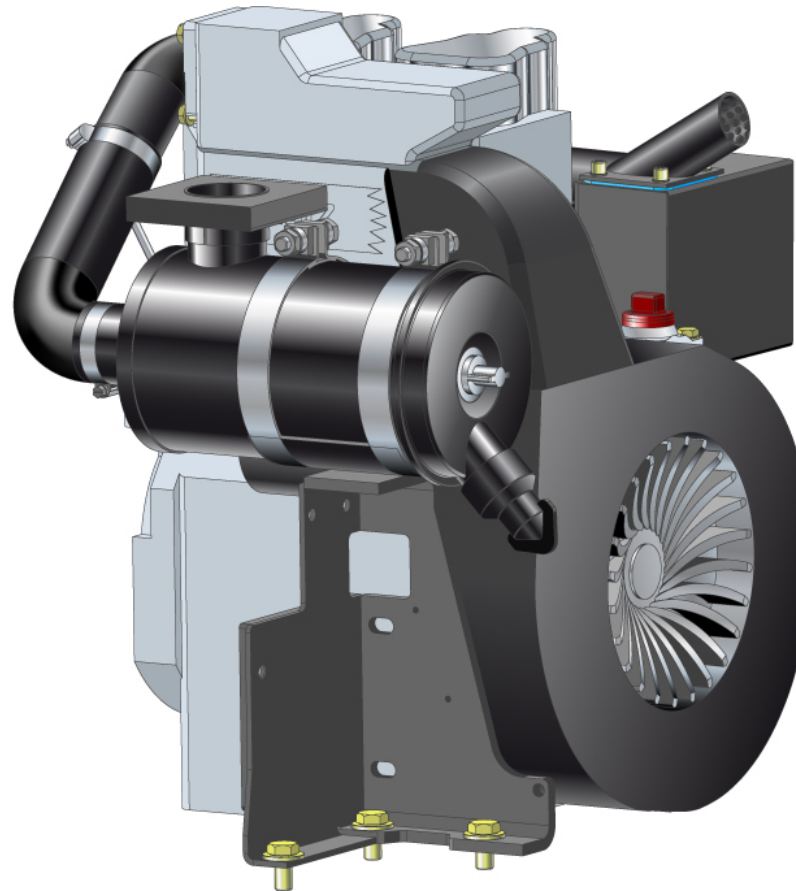
Valve diesel

Oil pressure switch

Air filter

Cylinder head cover

Dismounting of coupling



Overview map – Service – Diesel engine

RW 1504 -HF/-HK/-HFK

P 33/24 -HHMC/-HHMR/-HHMCR

Maintenance scheme

Fuel filter exchange

Air filter exchange

Engine oil exchange

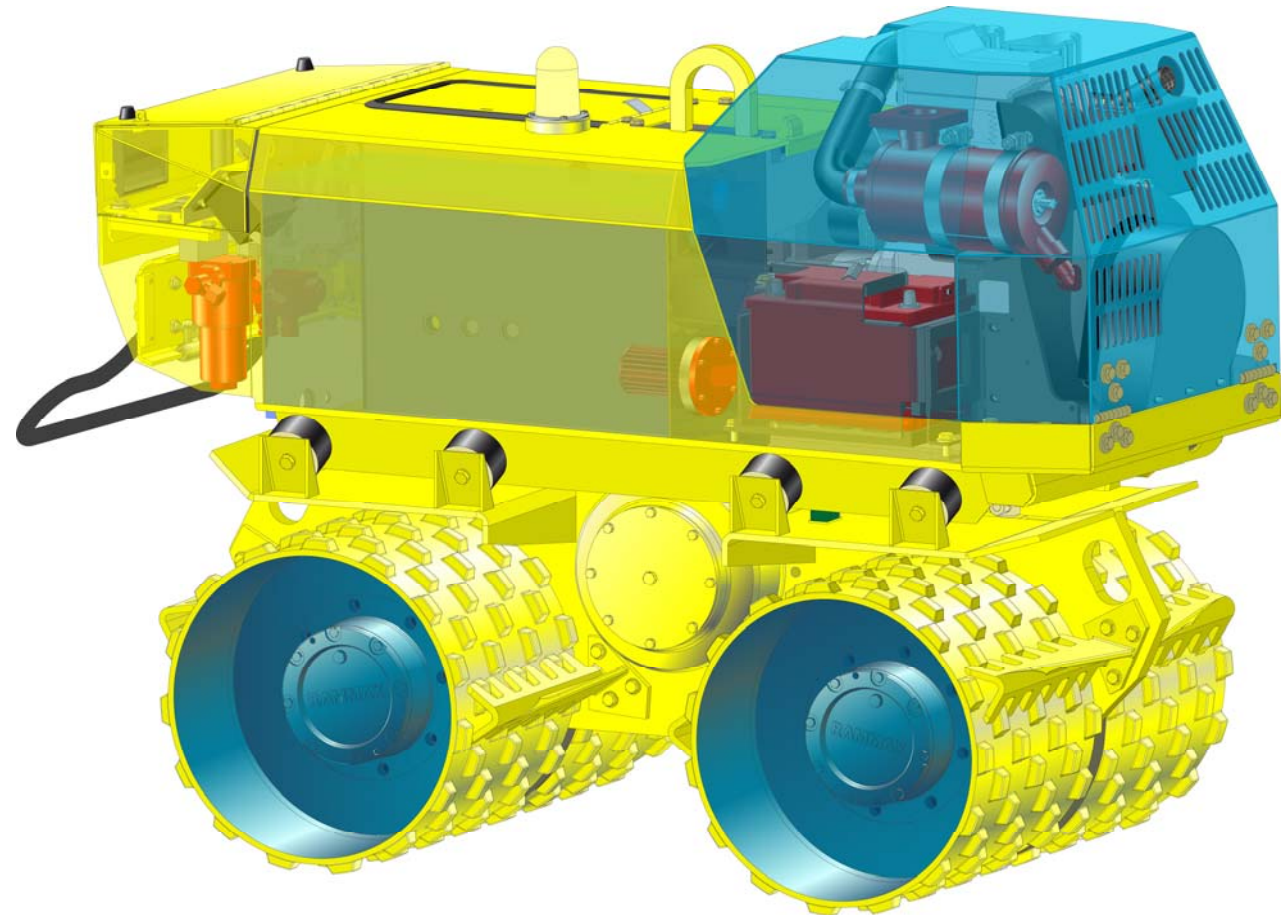
Hydraulic oil exchange

High pressure filter exchange

Suction filter exchange

Check battery acid level

Check that screws are tight



Overview map – Service - Machine

RW 1504 -HF/-HK/-HFK

P 33/24 -HHMC/-HHMR/-HHMCR

Check position of screws:
- Drums

Check position of screws:
- Scrapers

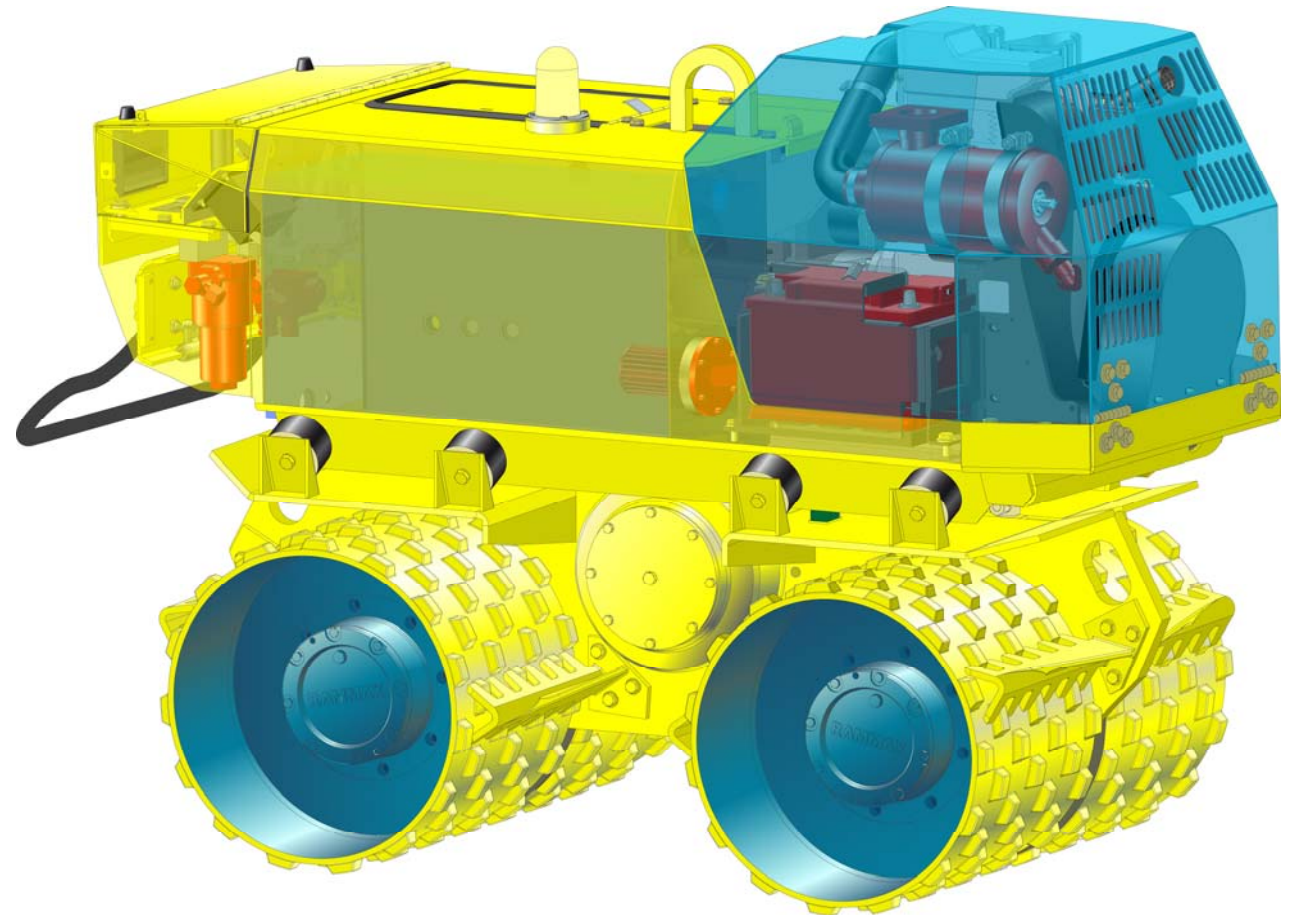
Check position of screws:
- Excentric housing

Check position of screws:
- Frame

Check position of screws:
- Diesel engine

Check position of screws:
- Cover hinge

Check position of screws:
- Muffler



Overview map – Service – Position of screws

RW 1504 -HF/-HK/-HFK

P 33/24 -HHMC/-HHMR/-HHMCR

Service drive motors

Exchange control valve rest

Adjustment of shutdown valve

Control of battery acid level

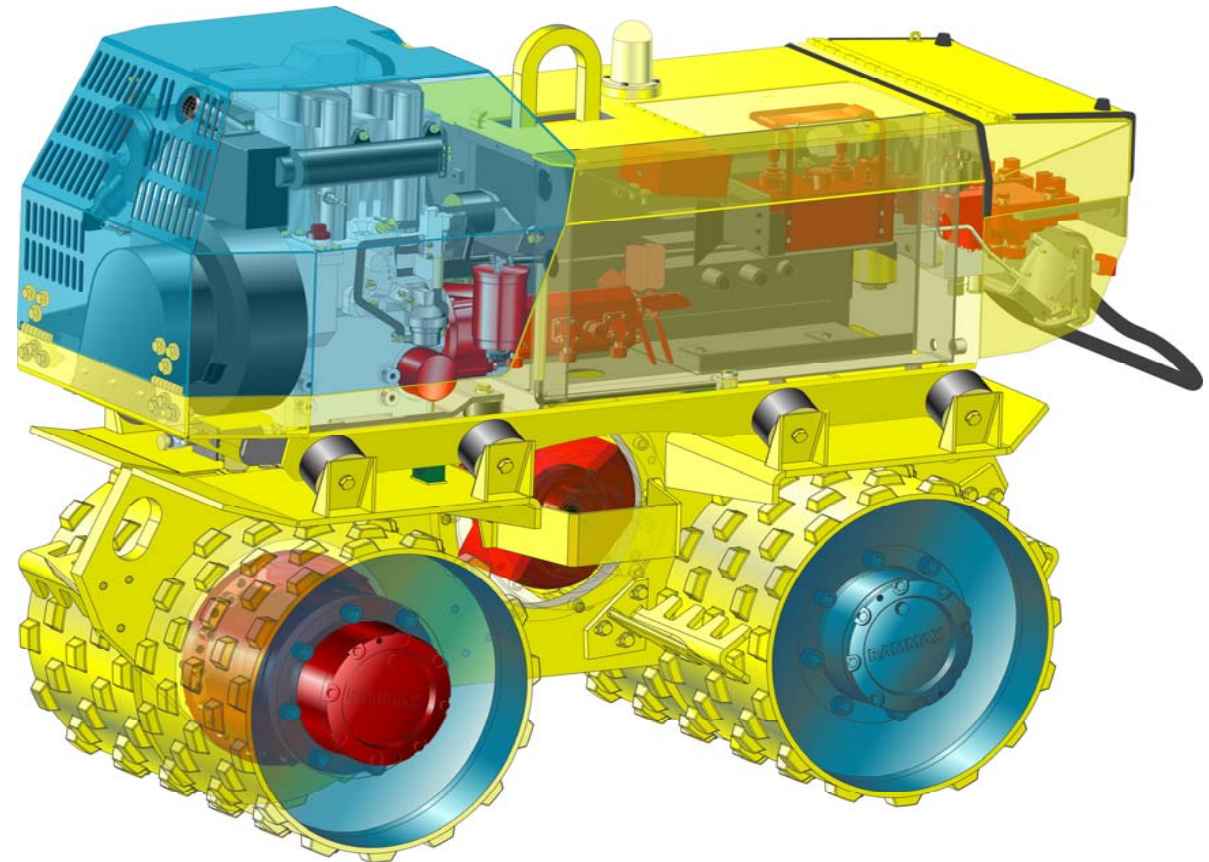
Fuel pump exchange

Checking the alternator

Change of exciter shaft bearings

Change of engine rubber mounts

Service hydraulic pump



Overview maintenance

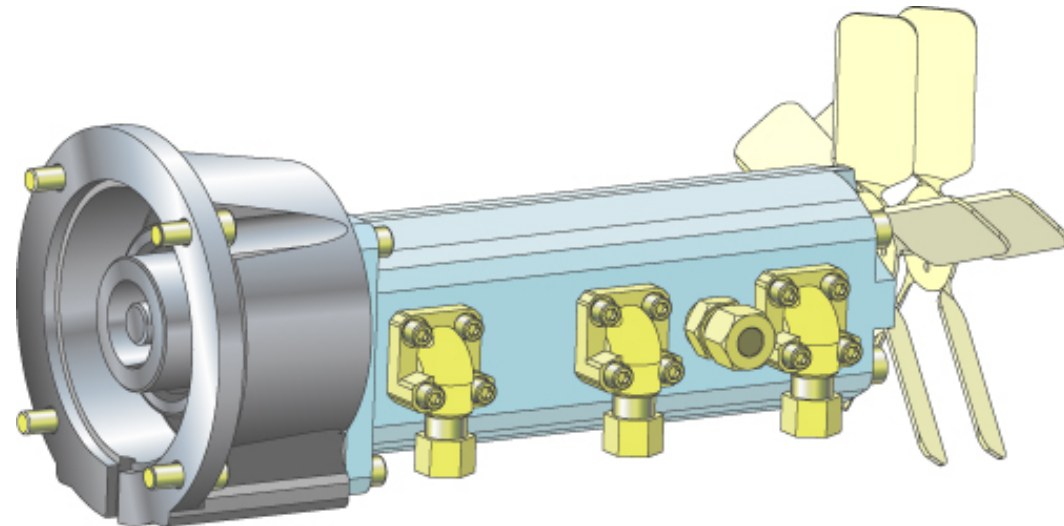
RW 1504 HF/HK/HFK

P33/24 HHM/HHMR/HHMCR

Coupling exchange:
- Flange coupling
- Gear coupling

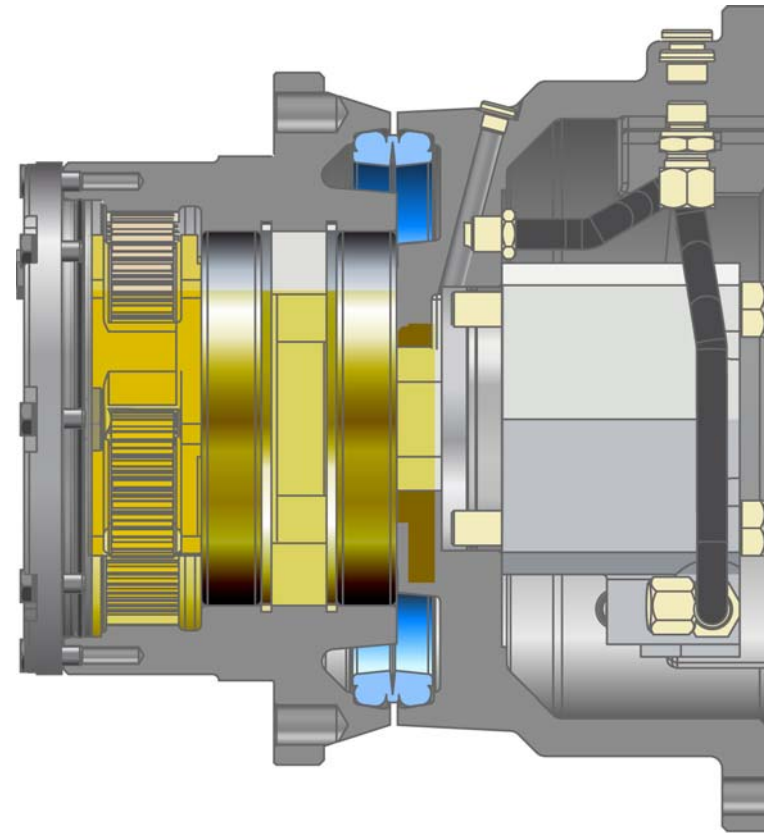
Hydraulic pump:
- Chek pump systems

Hydraulic pump:
- Change of fan blades



- Gear oil exchange

- Exchange drive motor



Overview maintenance

RW 1504 HF/-HK/-HFK

P33/24 HHMC/HHMR/HHMCR

Check position of screws:
- Drums

Check position of screws:
- Scrapers

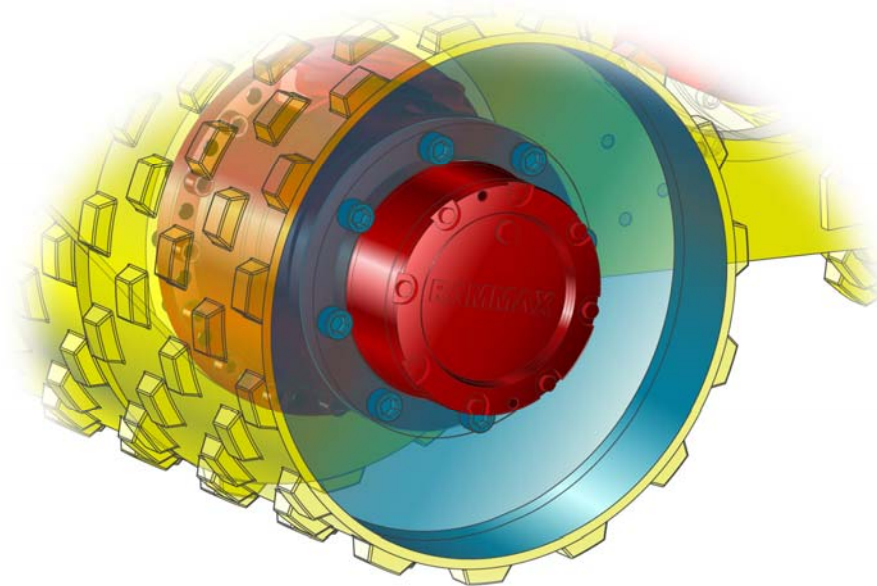
Check position of screws:
- Excentric housing

Check position of screws:
- Frame

Check position of screws:
- Diesel engine

Check position of screws:
- Cover hinge

Check position of screws:
- Muffler



Overview map – Service – Position of screws

Check position of screws:

- Drums

Check position of screws:

- Scrapers

Check position of screws:

- Excentric housing

Check position of screws:

- Frame

Check position of screws:

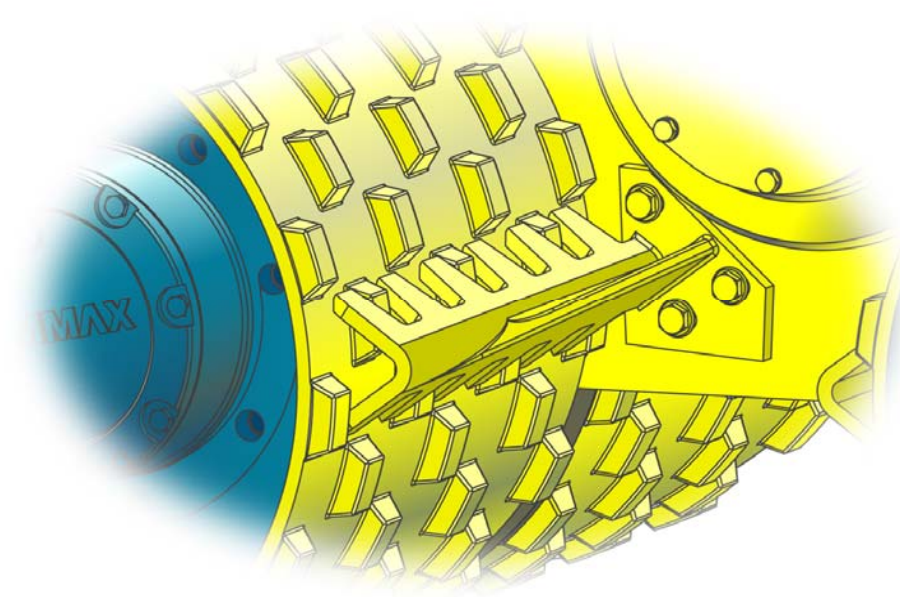
- Diesel engine

Check position of screws:

- Cover hinge

Check position of screws:

- Muffler



Overview map – Service – Position of screws

RW 1504 -HF/-HK/-HFK

P 33/24 -HHMC/-HHMR/-HHMCR

Check position of screws:

- Drums

Check position of screws:

- Scrapers

Check position of screws:

- Excentric housing

Check position of screws:

- Frame

Check position of screws:

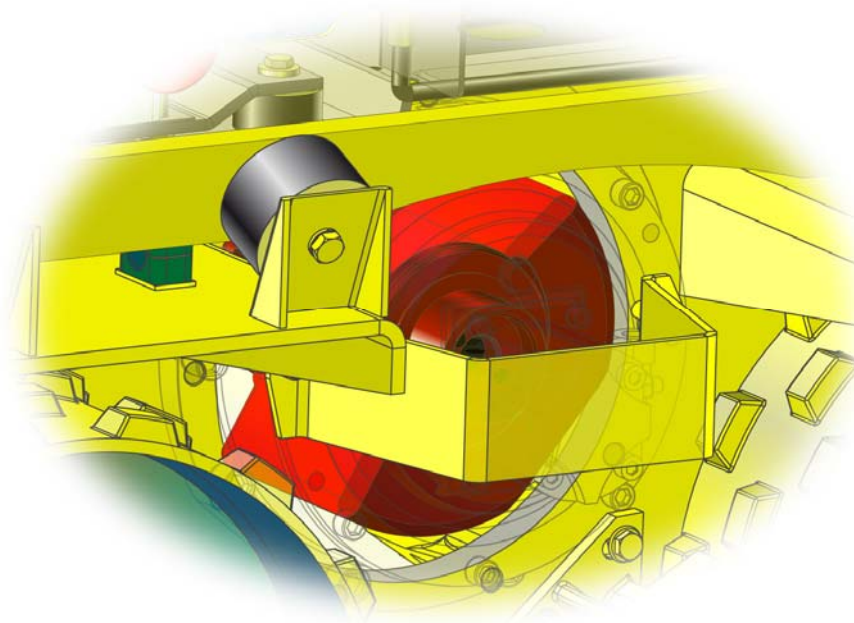
- Diesel engine

Check position of screws:

- Cover hinge

Check position of screws:

- Muffler



Overview map – Service – Position of screws

RW 1504 -HF/-HK/-HFK

P 33/24 -HHMC/-HHMR/-HHMCR