

RAMMAX

company of the Ammann Group

Vibratory trench roller

Spare parts list



RW 1504 /HF/HK/HFK

RAMMAX

Maschinenbau GmbH
Gutenbergstraße 33

72555 Metzingen

Phone: 07123/9223-0

Fax: 07123/9223-50

E-Mail: Service@Rammax.de
Germany

valid as of serial number : 1536704
Technical modifications reserved

Printed in Germany

RW 1504/HF/HK/HFK

Änderungsstand 022

Inhaltsverzeichnis • Table of contents • Table des matières

01 001	Bandage standard Drum standard Bandage norme			18/2 001	Konsole-Cockpit Console-cockpit Console-Cockpit	23/2 001	Komplettahmen, Anbauteile Mounting frame, add-on pieces Cadre complet-pièces à ajouter
02 001	Bandage sonder Drum separate Bandage séparer	11 001	Dieselmotor Diesel engine Diesel moteur	18/3 000	Konsole-Cockpit Console-cockpit Console-Cockpit	23/3 001	Komplettahmen, Anbauteile Mounting frame, add-on pieces Cadre complet-pièces à ajouter
03 001	Hydroantriebe Hydraulic motor Moteur hydraulique	12 002	Motorbefestigung Motor fastening Fixation du moteur	19 001	Abschaltbügel Emergency stop bumper Barre de securité	24/1 001	Senderhalteblech Transmitter holding sheet Rémetteur tôle de support
04 001	Hydroantriebe, Einzelteile Hydraulic motor, pieces Moteur hydraulique, pièces d'etachées	13 000	Schalldämpfer Exhaust silencer Échappement	20/1 002	Ventile Valves Vanne	24/2 001	Empfänger Receiver Récepteur
05 001	Unwucht Vibrator Balourd	14 002	Luftfilter Air cleaner Filtre à air	20/2 002	Ventile Valves Vanne	25 001	Sender Manual control box Boîter manuel
06 001	Unwuchtantrieb Gear motor Moteur du balourd	15 001	Pumpe Pump Pompe	21/1 000	Ventile, Einzelteile Valves, component parts Vanne-pièce détachées	26 001	Batterie Battery Batterie
07 001	Mittelsteg Mounting frame Chassis central	16 002	Luftansaugung Air intake Aspiration d'air	21/2 001	Ventile, Einzelteile HF Valves, component parts HF Vanne-pièce détachées HF		
08 001	Motorschutz Engine cover Tôle de protection	17 001	Dieselleitungen Diesel lines Tyaux Diesel	22 001	Gaszug Throttle cable Mannette de gaz		
09 001	Schalldämmplatten Insulating board. Panneau isolant	18/1 001	Konsole-Cockpit Console-cockpit Console-Cockpit	23/1 001	Komplettahmen, Anbauteile Mounting frame, add-on pieces Cadre complet-pièces à ajouter	30 000	HD-Schlauch HD-hose HD-Tuyeau flexible

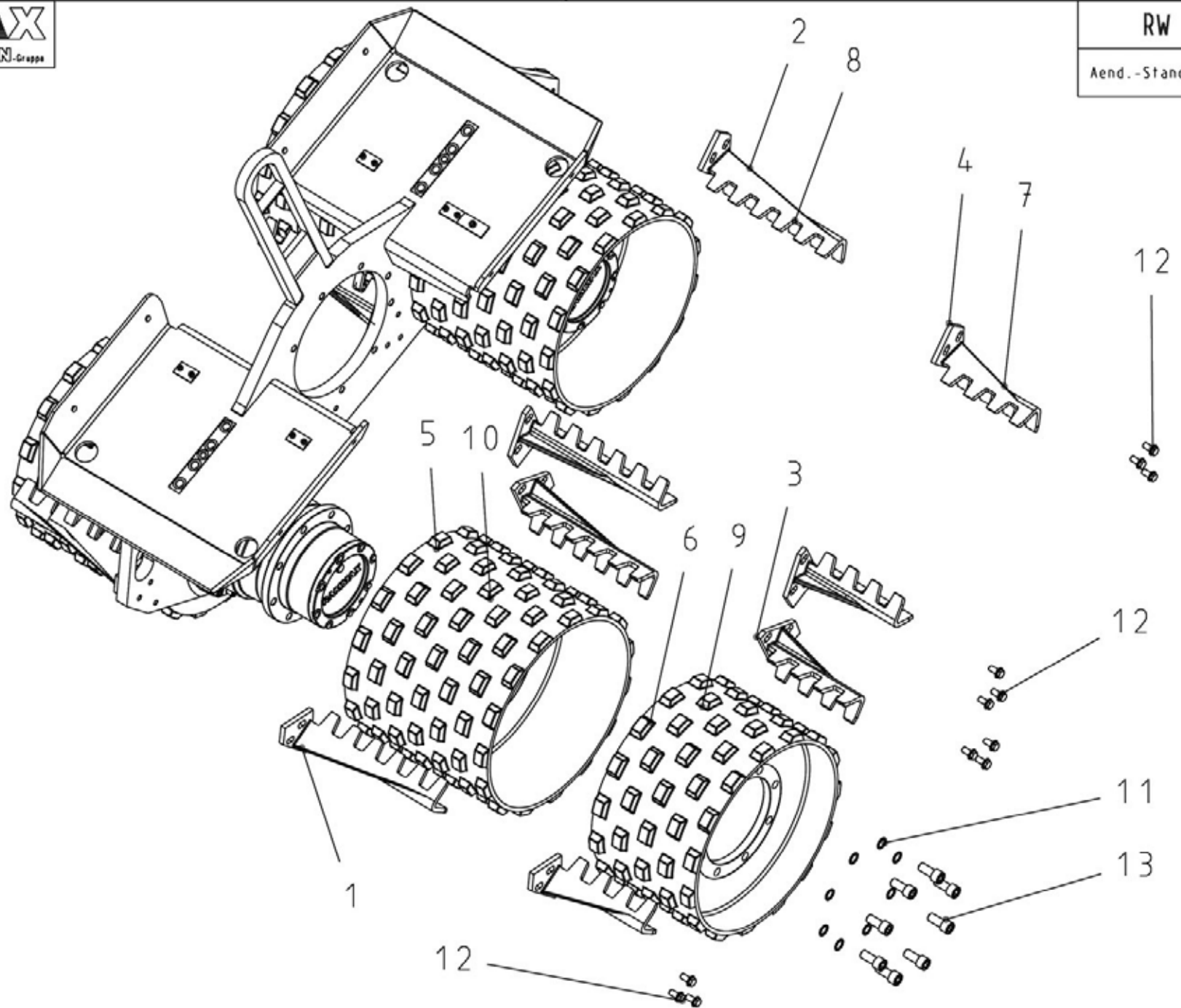
RAMMAX

Ein Unternehmen der AMMANN-Gruppe

RW 1504

Aend.-Stand: 001

01



<u>Pos</u>	<u>Pc.</u>	<u>indication</u>	<u>parts number</u>	<u>detailed information</u>	<u>dimension</u>	<u>DIN indication</u>
01	4	scraper	3-00288			
02	4	scraper	3-00289			
03	4	scraper	3-00290			
04	4	scraper	3-00291			
05	4	drum	3-00422			
06	4	drum	3-00423			
07	1	set of scrapers	3-90206		630mm Standard	
08	1	set of scrapers	3-90204		850mm Standard	
09	1	set of drums	3-90202		630mm Standard	
10	1	set of drums	3-90200		850mm Standard	
11	32	retaining washer	3-58333		S-18	
12	24	hex bolt	3-55946		M12 x 25	Verbus-Tensilock
13	32	allen head cap screw	3-54153		M18 x 40	DIN 912-10.9 verz.

serial number 1534189 -

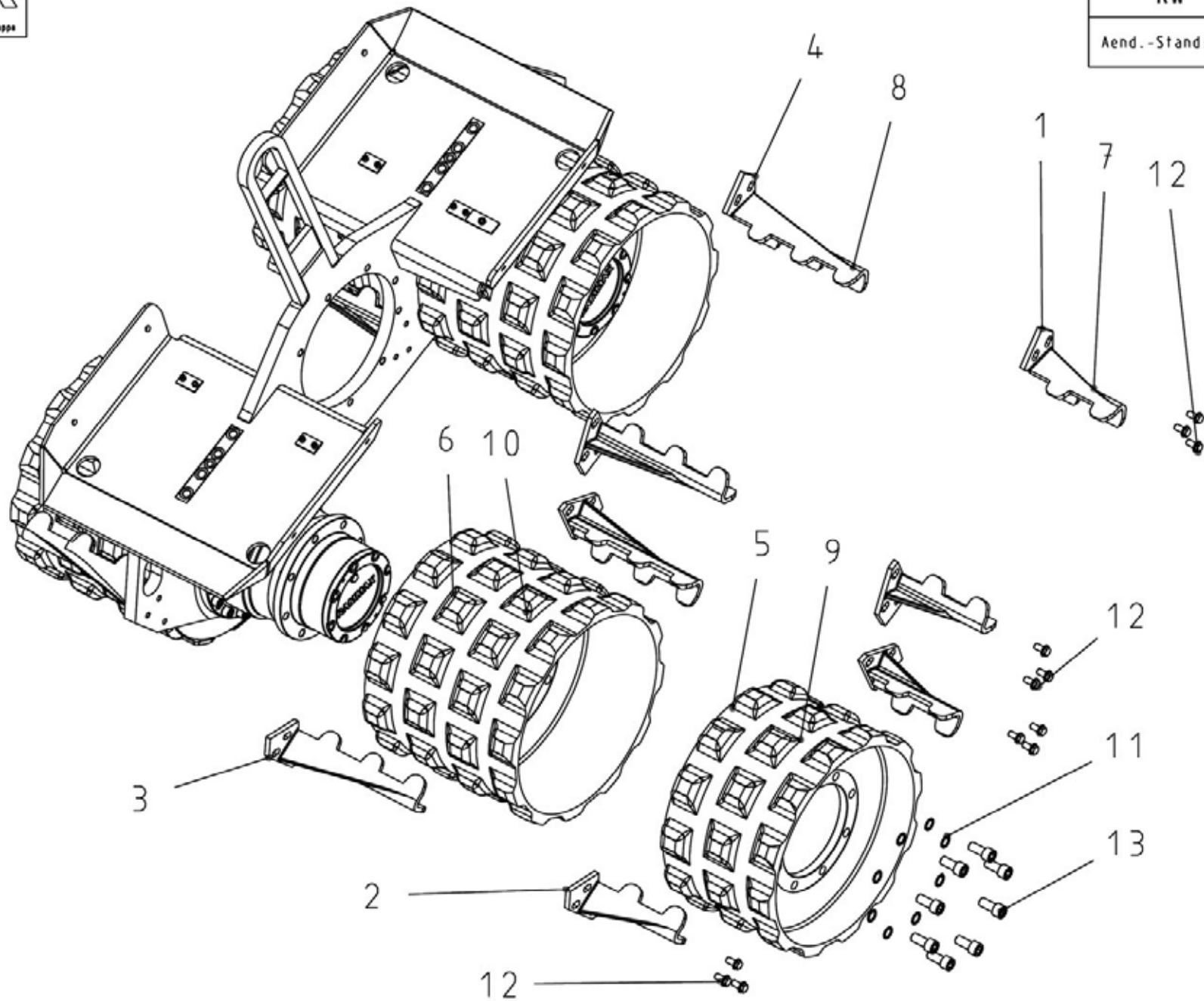
revision state 001

Drum-standard

RAMMAX
company of the Ammann Group

RW_1504

page
01



<u>Pos</u>	<u>Pc.</u>	<u>indication</u>	<u>parts number</u>	<u>detailed information</u>	<u>dimension</u>	<u>DIN indication</u>
01	4	scraper	3-00342			
02	4	scraper	3-00343			
03	4	scraper	3-00344			
04	4	scraper	3-00345			
05	4	drum	3-00300			
06	4	drum	3-00400			
07	1	set of scrapers	3-90207		630mm Sonder	
08	1	set of scrapers	3-90205		850mm Sonder	
09	1	set of drums	3-90203		630mm Sonder	
10	1	set of drums	3-90201		850mm Sonder	
11	32	retaining washer	3-58333		S-18	
12	24	hex bolt	3-55946		M12 x 25	Verbus-Tensilock
13	32	allen head cap screw	3-54153		M18 x 40	DIN 912-10.9 verz.

serial number 1534189 -

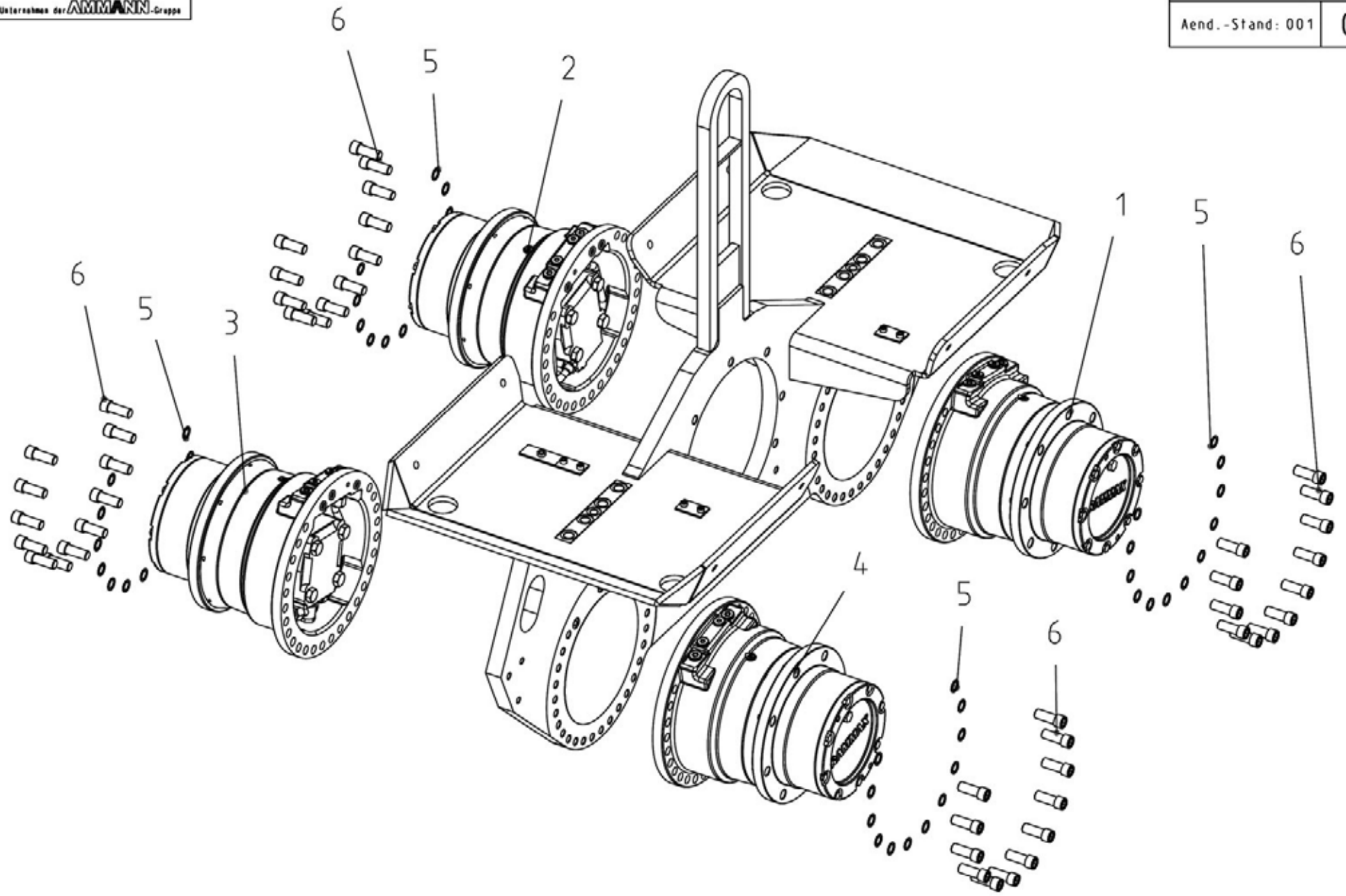
revision state 001

Drum-separate

RAMMAX
company of the Ammann Group

RW_1504

page
02



<u>Pos</u>	<u>Pc.</u>	<u>indication</u>	<u>parts number</u>	<u>detailed information</u>	<u>dimension</u>	<u>DIN indication</u>
01	1	hydraulik motor	3-45010			
02	1	hydraulik motor	3-45011			
03	1	hydraulik motor	3-45012			
04	1	hydraulik motor	3-45013			
05	48	retaining washer	3-58329		S-14	verzinkt
06	48	allen head cap screw	3-54660		M14 x 40	DIN 912-8.8 verz.

serial number

revision state 001

Hydraulic drive motor

RAMMAX
company of the Ammann Group

RW_1504

page
03

