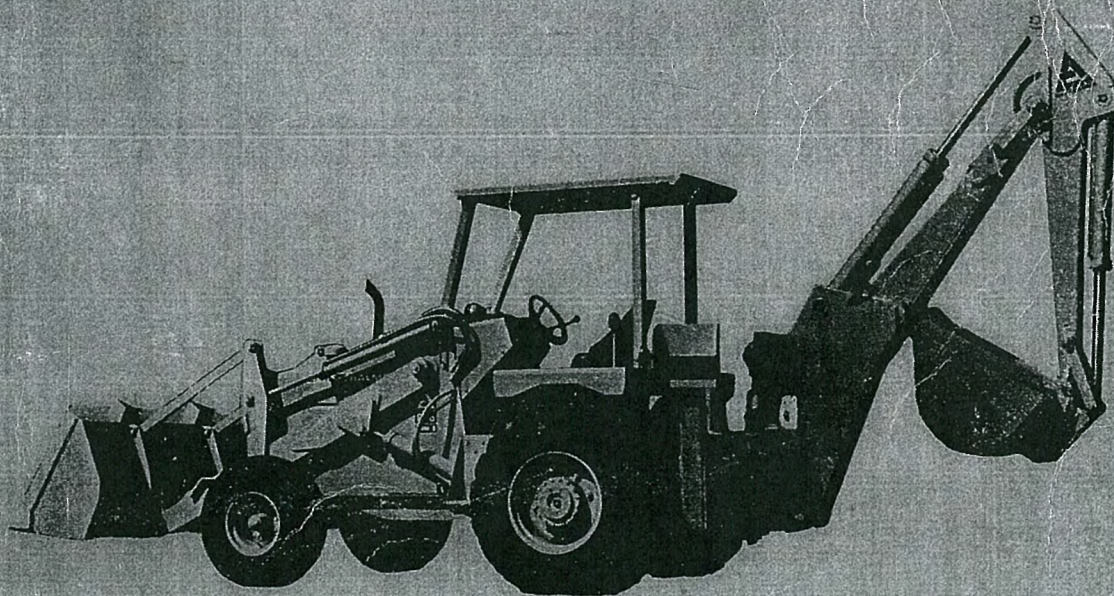




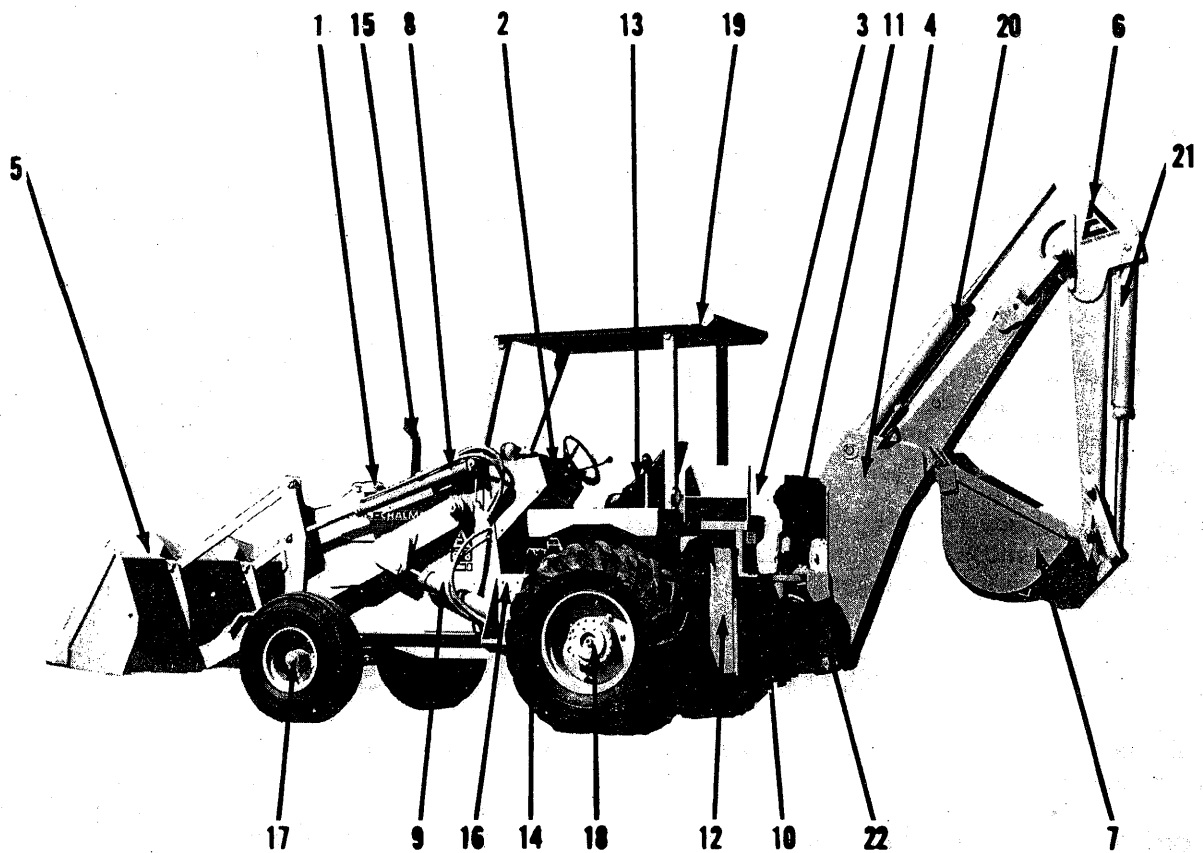
15,500
LBS
SHIP WT

PARTS CATALOG
816 & 816B
LOADER - BACKHOE
(REVISED EDITION)

2



GENERAL DESCRIPTION



- | | |
|---------------------------|-------------------------------------|
| 1. AIR CLEANER (INTAKE) | 12. STABILIZER |
| 2. CONTROL PANEL | 13. SEAT |
| 3. CONTROLS (BACKHOE) | 14. PEDAL CONTROLS |
| 4. BACKHOE BOOM | 15. MUFFLER |
| 5. LOADER BUCKET | 16. BATTERY LOCATION (BEHIND FRAME) |
| 6. BACKHOE DIPPERSTICK | 17. FRONT AXLE AND TIRE |
| 7. BACKHOE BUCKET | 18. REAR AXLE AND TIRE |
| 8. DUMP CYLINDER (LOADER) | 19. R.O.P.S. CANOPY |
| 9. LOADER CYLINDER | 20. DIPPERSTICK CYLINDER |
| 10. SWING CYLINDER | 21. BUCKET CYLINDER |
| 11. STABILIZER CYLINDER | 22. SWING FRAME |

L. H. & R. H. SIDE OF LOADER AND BACKHOE

THE L. H. & R. H. SIDE OF THIS EQUIPMENT IS DESIGNATED BY THE OPERATOR SITTING IN THE OPERATOR'S SEAT, FACING THE DIRECTION OF FORWARD TRAVEL.

FOREWORD

The parts in this catalog are listed in alphabetical order and are located at the front of this catalog.

Except for some common hardware all parts are identified with an item number. Common hardware not identified such as bolts, nuts, cotter pins and lubrication fittings, are listed in the text under the part which they attach or fit into. Note particularly that the quantity of hardware listed is always the quantity required for one part.

Common attaching hardware listed under a part is not included in the assembly or included with the part unless specified. Example: (Incl. Bolt, Lock-washer and Nut).

"Assembly or Packaged Parts" indicates if an individual part is one of many in a large assembly or one of several kinds in a package.

All numbers are listed in the second last section of this catalog showing the quantity and description of the various parts that make up the assembly or package.

The last section of this catalog contains a part number index to indicate on which page or pages a part number appears.

All illustrations will be found to follow the text of each group or section of which it is a part.

For any additional copies of this catalog there will be a supplementing service charge of three dollars. Refer any requests to your Branch House or office under which you operate.

HOW TO ORDER PARTS

Order all parts for this machine from your local ALLIS-CHALMERS Dealer.

When ordering parts for this unit, supply the following information:

1. The tractor and engine serial numbers.
2. The model or name of the unit and its serial number.
3. State the common name of the part you wish to order, or a description of the part and its location on the unit, or bring in old part.

4. Always print your name and post office address, where parts are to be shipped; also specify whether material is to be shipped by freight, express or parcel post.

5. When ordering parts always determine right hand and left hand from a position in the operators seat facing the direction of forward travel. On Backhoe Units Right and Left is determined by facing the Backhoe from the operator seat.

IMPORTANT

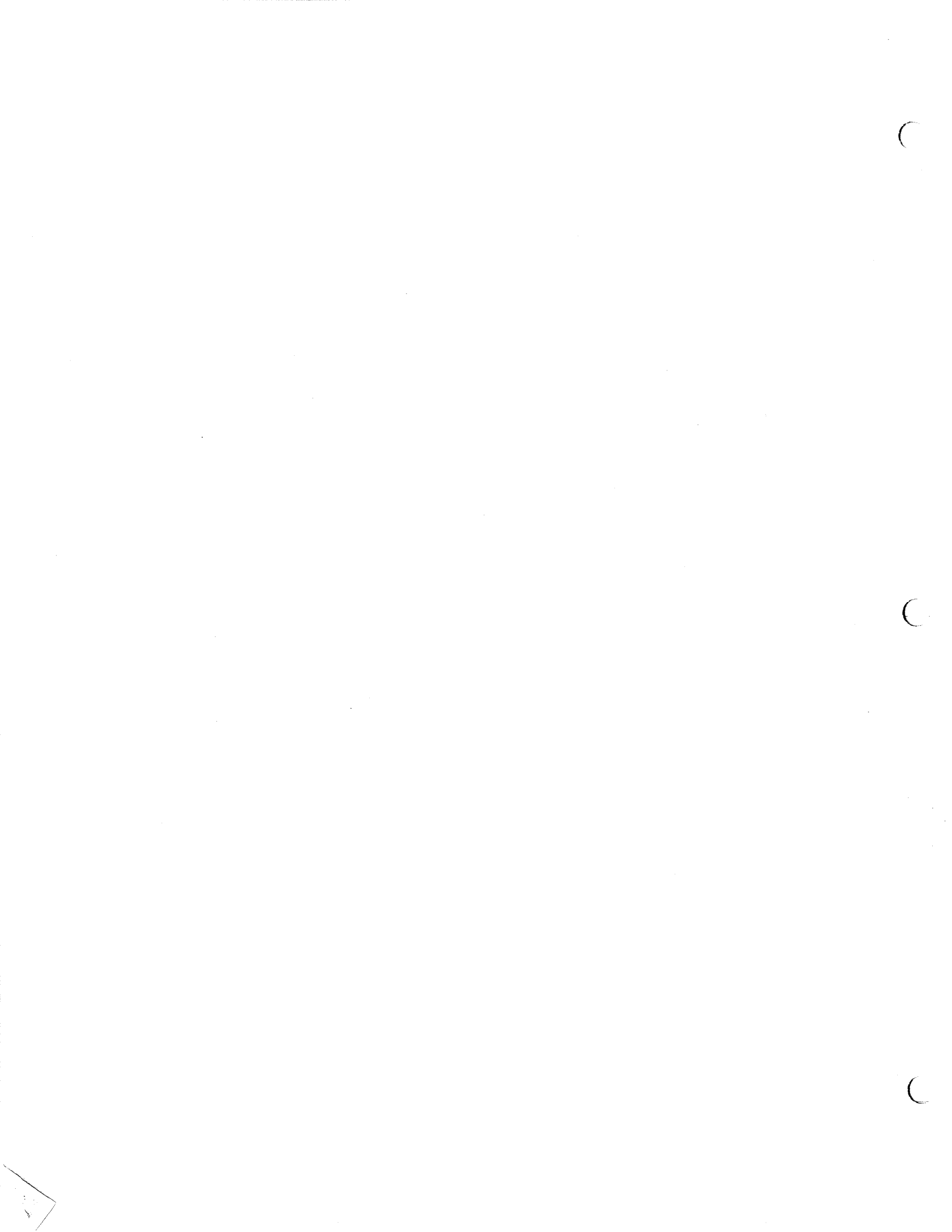
Unless claims for shortages or errors are made immediately upon receipt of goods, they will not be considered.

When broken goods are received, a full description of the damage should be made by the carrier present on the freight bill. If this description is insisted upon full damage can always be collected from the transportation company.

No responsibility is assumed for delay or damage to merchandise while in transit. Our responsibility

ceases upon delivery of shipment to the transportation company, from whom a receipt is received showing that shipment was in good condition when delivered to them; therefore claims (if any) should be filed with the transportation company and not with Allis-Chalmers Manufacturing Company.

The right is reserved to change the construction or material of any parts where it seems desirable to do so, without incurring the obligation of installing such changes on units already delivered.



816 & 816B TRACTORS

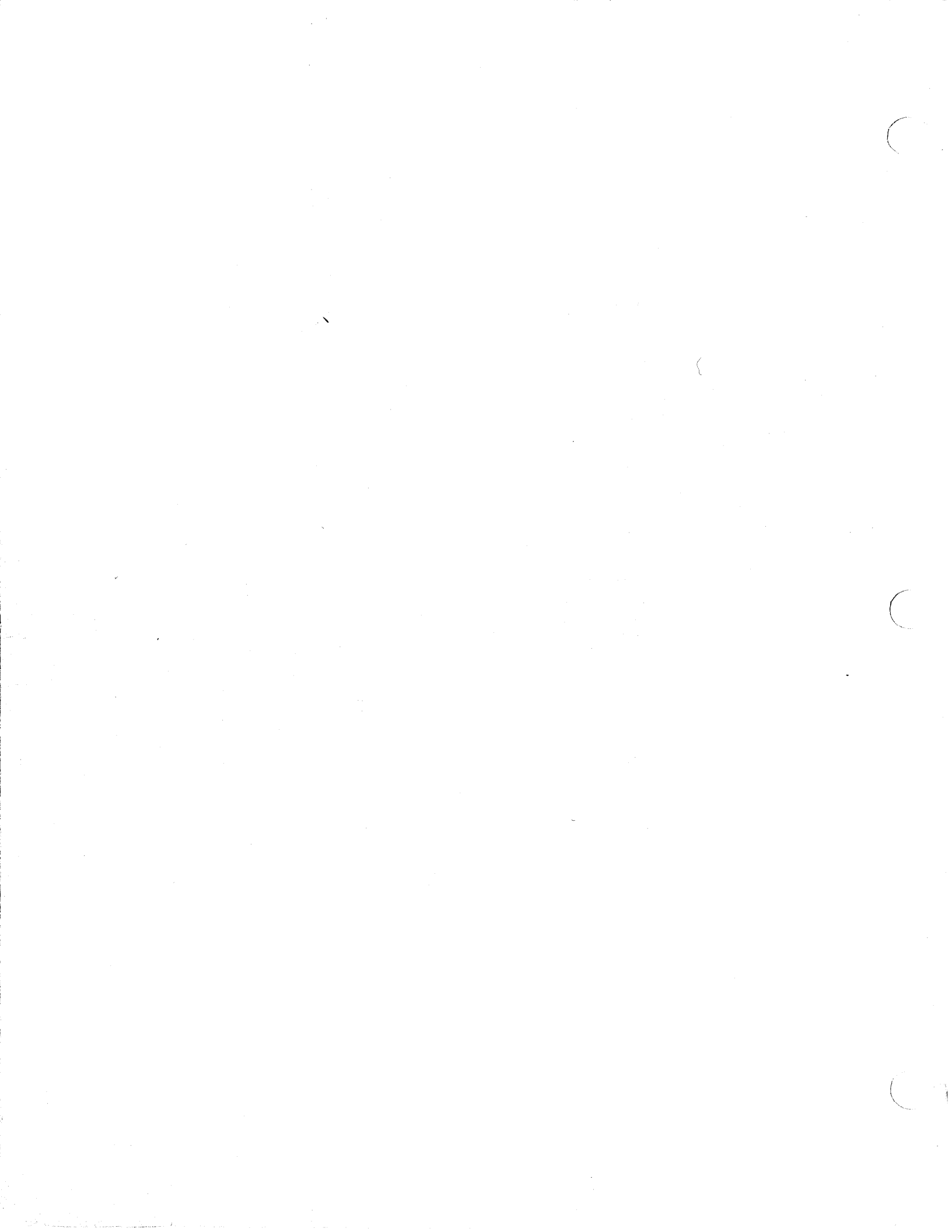
AIR INTAKE & EXHAUST SYSTEM	
Air Cleaner Group	43
Air Cleaner Indicator	45
Air Intake & Exhaust	
Air Cleaner	43
Muffler	45
Manifolds	
Exhaust	41
Intake	41
ATTACHMENTS	
Assembly Tool Kit	267
Buckets	
Backhoe	253
4-In-1	261
Loader	255
CM Yellow Paint	267
Ether Starting Aid	263
4-In-1 Backhoe Controls	
Case Pattern	259
Ford Pattern	257
Outside Mirror	261
Steering Brakes	
Optional	265
Transport Chain	269
AXLE, STEERING & WHEELS	
Axles	
Axle & Housing	
PR65H X 1	143
PR65H X 11	153
PR65H X 37	159
Brake Parts	
PR65H X 1	149
PR65H X 11	149
PR65H X 37	149
Differential	
PR65H X 1	145
PR65H X 11	153
PR65H X 37	161
Shaft & Hub	
PR65H X 1	147
PR65H X 11	157
PR65H X 37	163
Wheel Cylinder Asy.	
PR65H X 1	151
PR65H X 11	151
PR65H X 37	151
Cylinder, Power Steering	171
Front Axle	169
Mounting	169
Power Cylinder	175
Power Steering	167
Steering Column Asy.	173
Tie Rod Asy.	171
Tire & Wheel — Rear	165
Valve, Steering	173
Wheel Asy. — Front	169
Wheel Group, Special	165
BACKHOE	
Backhoe Controls	231
Boom & Hydraulics	227
Cylinder Asy. (Refer to HYDRAULICS)	
Dipperstick & Hydraulics	229
Stabilizer Pad & Stabilizer Cylinder	223
Stabilizer Street Pad	223
Swing Frame & Cylinders	225
Valve Asy. (Refer to HYDRAULICS)	



INDEX

MC + Pow. Cyl 173-175

BRAKE SYSTEM	
Brake Lines	139
Cylinder	139
Pedal Asy.	
Brake	141
CAB	
Air Heater & Blower	245
Cab Asy.	
Full Vision	237
Sims	241
Heater Asy.	249
Space Heater	251
Wiper Motor	249
COOLING SYSTEM	
Filter	51
Oil Cooler, Transmission	51
Pump, Water	47
Belt, Fan	47
Blade Asy., Fan	47
Hub, Pulley	47
Radiator	51
Water Outlet	49
Thermostat	49
DRIVE TRAIN	
Axle Asy. (Refer to AXLE, STEERING & WHEELS)	
Clutch Pedal & Linkage	141
Controls, Forward & Reverse	137
Controls, Parking Brake	135
Differential Lock	131
Main Drive Shaft	131
Mounting, Engine & Transmission	111
Pump Drive Shaft	133
Torque Converter	115
Transmission Asy., Forward & Reverse	113
Disk Asy., Forward & Reverse	117
Forward & Reverse Transmission	121
4-Speed	
Case & Parking Brake	123
Control Cover	127
Control Linkage	131
Countershaft	129
Main Shaft	125
Torque Converter & Pump Asy.	115
Valve Asy., Transmission	119



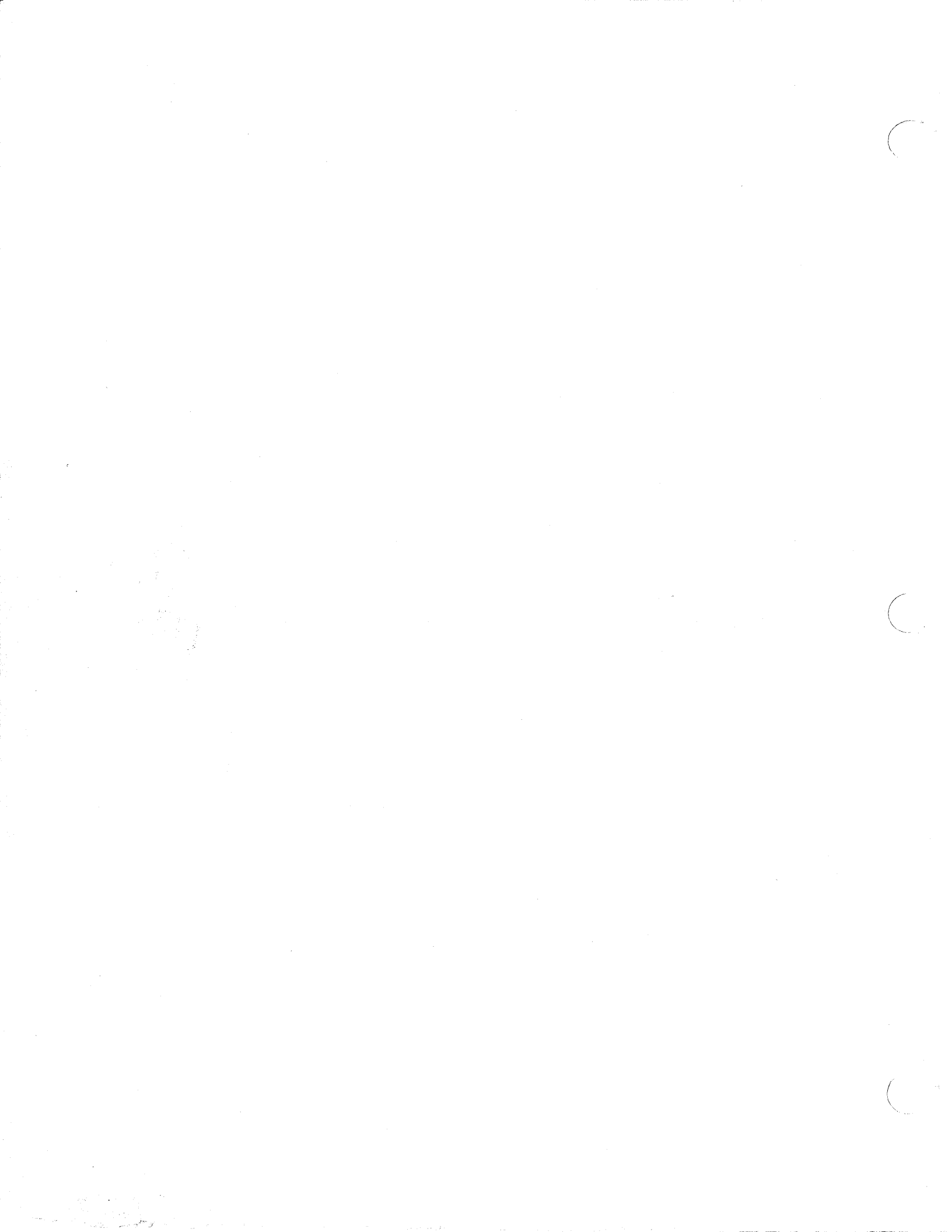
ELECTRICAL & INSTRUMENTS	
Alternator Asy.	93
Electrical Group	87
Battery	87
Fan, Alternator	87
Horn	87
Pulley, Alternator	87
Sending Units	87
Switches	87
Hourmeter	87
Oil Pressure	87
Wiring & Battery	87
Instrument Panel (Gauges)	91
Cover, Panel	91
Fuse Holder	91
Gauges	
Fuel & Voltage	91
Warning Lights	91
Water & Oil Temperature	91
Wire Harness	91
Wiring	91
Lamp Asy., Flood Light	99
Lamp Asy., Road Light	97
Lamp Asy., Warning	97
Starting Motor Asy.	95
ENGINE	
Camshaft	35
Cover, Cylinder Head	33
Crankshaft	35
Cylinder Block	21
Cylinder Head	25
Engine Replacement	21
Exhaust Valve	25
Flywheel & Starting Ring	27
Housing	29
Gasket Sets	
Bottom Overhaul	23
Top Overhaul	23
Gear, Camshaft	35
Gear, Crankshaft	27
Indicator, Oil Level	37
Intake Valve	25
Lubricating System	
Oil Pan	37
Oil Pump	37
Oil Filter	39
Piston & Connecting Rod	31
Pulley, Crankshaft	27
Push Rod, Valve	33
Shaft, Rocker Arm	33
Short Block	23
Sleeve, Cylinder	21
Tappet, Valve	33
Timing Gear Cover	35
Valve Operating Mechanism	33

21

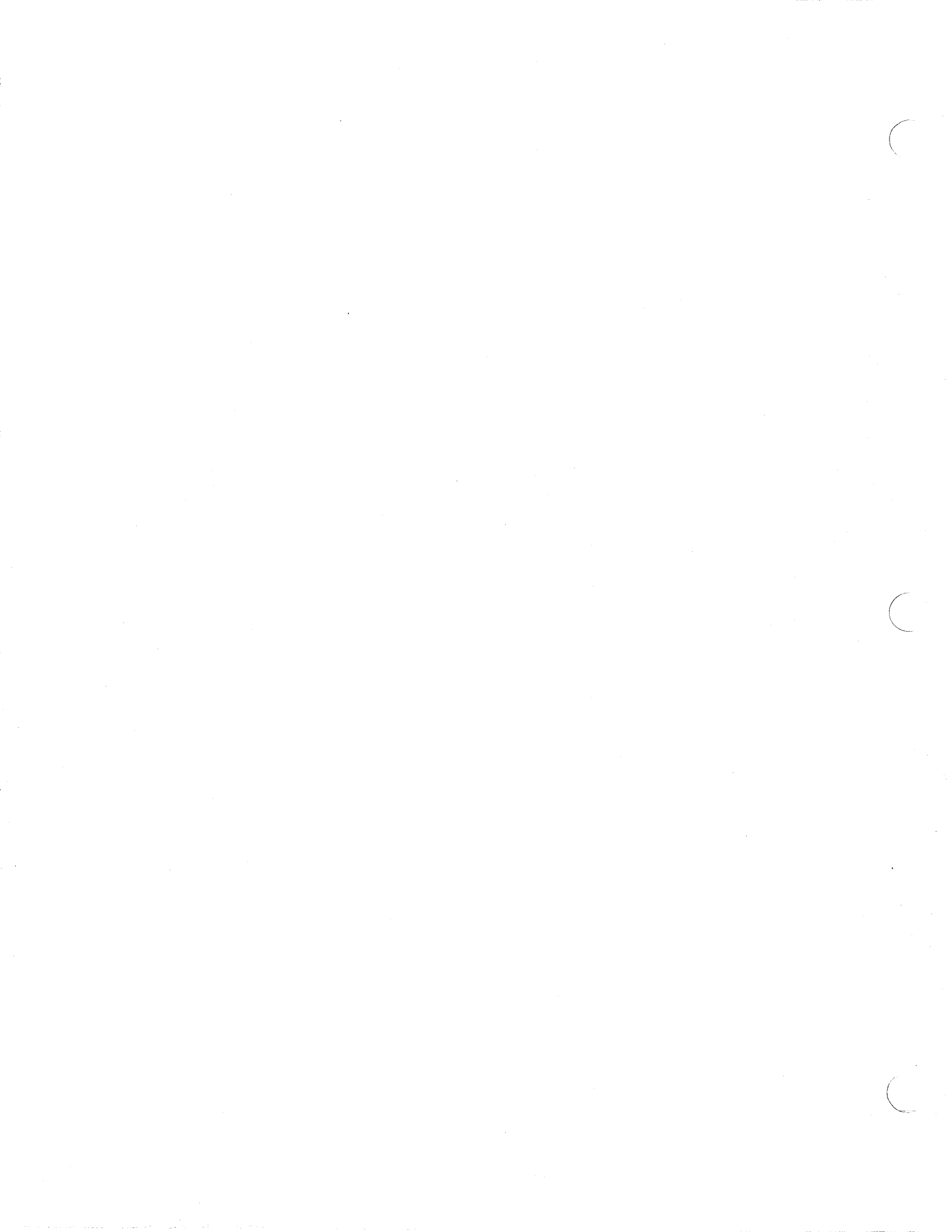
INDEX

FUEL SYSTEM	
Cable, Fuel Shut-off	83
Cable, Throttle	83
Fuel Control, Engine	83
Fuel Filter Asy.	81
Fuel Filters & Lines	75
Fuel Pump, Lift	71
Fuel Tank & Lines	69
Injection Lines, Fuel	63
Injection Pump Components	
Housing & Drive	57
Transfer Pump, Head & Rotor	61
Injection Pump & Drive, Fuel	55
Nozzle Holder Asy.	63
HYDRAULICS	
Auxiliary Backhoe Valve Group	
Foot Operated	221
Backhoe	
Control Valve	
Backhoe	209
Swing	213
Cylinders	
Boom	197
Bucket	199
Dipperstick	197
Stabilizer	201
Swing	201
Valve, Dual Relief	203
Filter Asy., Oil	193
Filter Asy., Power Steering	185
Flow Divider, Power Steering	189
4-in-1 Bucket	
Moldboard, Rear View	215
Cylinder Asy.	215
3rd Spool Control & Hydraulic Group	217
Hydraulic Lines	
Loader Valve to Loader	193
Loader	
Control Valve	205
Cylinders	
Lift	195
Tilt	195
Pressure Lines	179
Pump Asy., Dual Front Mount	191
Pump Asy., Power Steering	187
Strainer Asy., Front	191
Sump Lines	183
Valve Asy., Check	185
LOADER	
Controls	235
Lift Arms	233
Linkage & Cylinders	233
NUMERICAL INDEX	
	8
RECOMMENDED DEALER STOCK	
	270
SHEET METAL, FRAME & SEAT	
Decals	109
Fenders	101
Front Console	107
Grille	107
Main Frame, Tractor	101
Platform	105
Rear Axle Mounting	101
Seat & Seat Support	103

*Pump
Drive
133*









Allis Chalmers 816 816b Backhoe Loader Parts Catalog

Full download: <http://manualplace.com/download/allis-chalmers-816-816b-backhoe-loader-parts-catalog/>