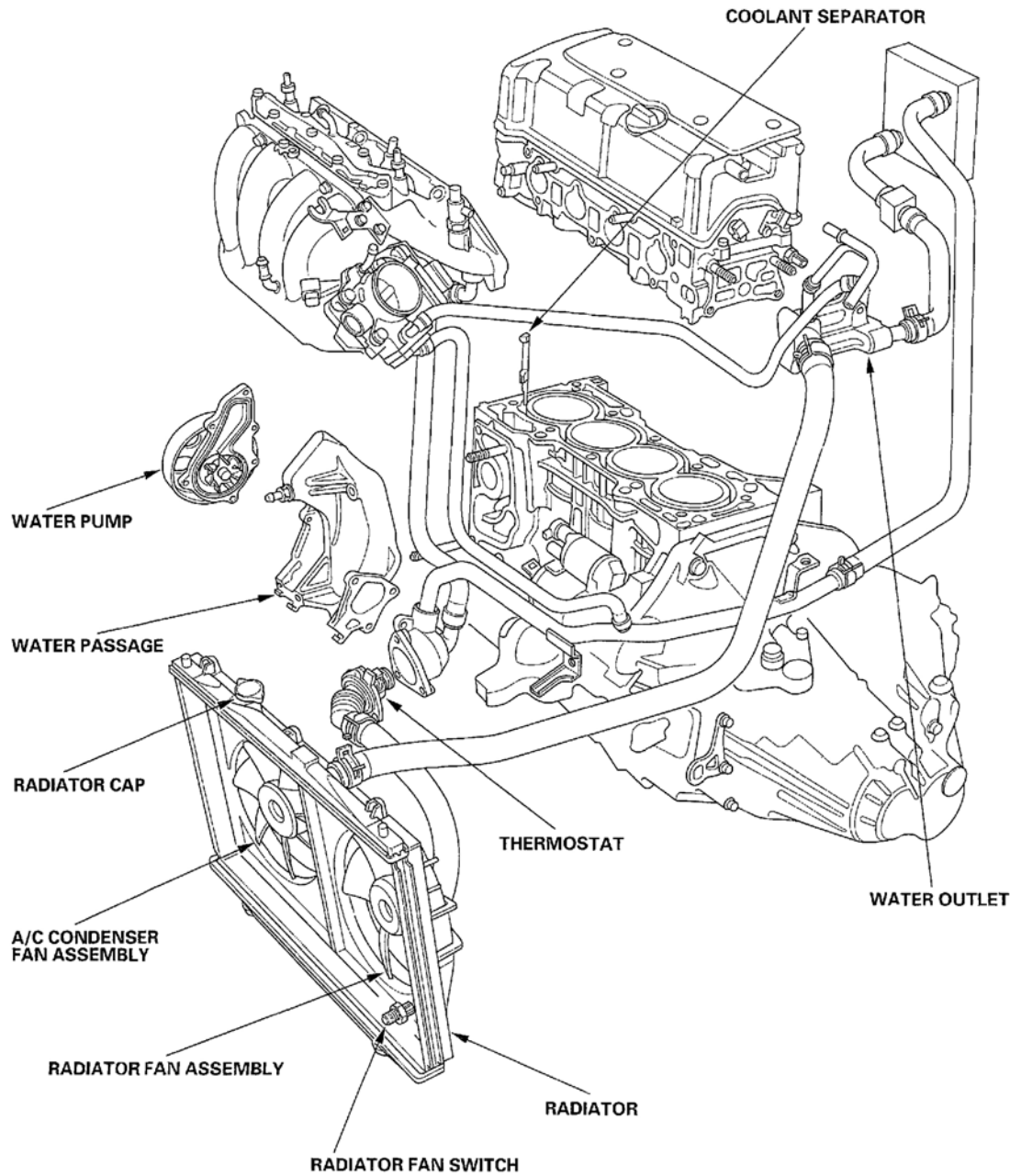


## 2004 ENGINES

### Cooling System - TSX

# COMPONENT LOCATION INDEX

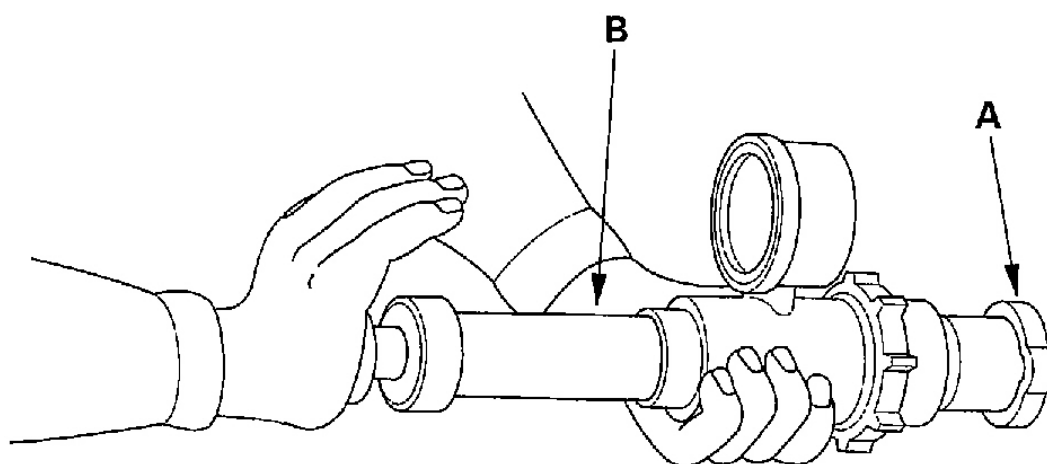


G01821450

**Fig. 1: Locating Cooling System Components**

## RADIATOR CAP TEST

1. Remove the radiator cap (A), wet its seal with engine coolant, then install it on the pressure tester (B) (commercially available).



G01821451

**Fig. 2: Remove The Radiator Cap And Install It On The Pressure Tester**

2. Apply a pressure of 93 - 123 kPa (0.95 - 1.25 kgf/cm<sup>2</sup> , 14 - 18 psi).
3. Check for a drop in pressure.
4. If the pressure drops, replace the cap.

## RADIATOR TEST

1. Wait until the engine is cool, then carefully remove the radiator cap and fill the radiator with engine coolant to the top of the filler neck.
2. Attach the pressure tester (A) (commercially available) to the radiator.