

GENERAL INDEX

**MODELS
ALL**

						NAME PASSENGER CAR INSTRUCTION MANUAL				
						REF.	DRAWN	CHECKED	SECT.	SHEET
								F	0	1.00
						DATE	PART No.			
						7-25-55	3726600			
DATE	SYM.	REVISION RECORD	AUTH.	DR.	CL.					

INSTRUMENT PANEL
BRACE SHEET 6.00
ACCESSORY HOLE COVER SHEET 7.00
STEERING GEAR JACKET COVER SHEET 8.00
NAME PLATE SHEET 9.00
ASH TRAY SHEET 10.00
TRIM PLATE SHEET 11.00

REAR SHOCK ABSORBER HOLE COVER SHEET 5.00

BODY SHIM SHEET 29.00

NO. 6 BODY MOUNTING SHEET 28.00

REAR EMBLEM SHEET 15.00 ALL EXCEPT NOMAD SHEET 16.00 NOMAD

③ ACCESS HOLE MASKING & FLOOR MAT INSTALLATION INSTRUCTION SHEET 17.00

WINDSHIELD WIPER SHEET 14.00

COWL VENTILATOR SHEET 12.00

DASH AND TOE PANEL HOLE LOCATION SHEET 2.00 LD SHEET 3.00 RD DASH PANEL MAT SHEET 4.00

DASH PANEL HEATER HOLE COVER SHEET 12.00

REAR FENDER NAME PLATE SHEET 15.00

NO. 5A BODY MOUNTING SHEET 27.00

NO. 5 BODY MOUNTING SHEET 26.00

NO. 4 BODY MOUNTING SHEET 25.00

NO. 3A BODY MOUNTING SHEET 23.00 SPORT COUPE SHEET 24.00 CONVERTIBLE

NO. 3 OUTER BODY MOUNTING SHEET 22.00

NO. 3 INNER BODY MOUNTING SHEET 21.00

NO. 2 OUTER BODY MOUNTING SHEET 20.00 ②

NO. 2 INNER BODY MOUNTING & GAUGE HOLE INSTRUCTION SHEET 19.00

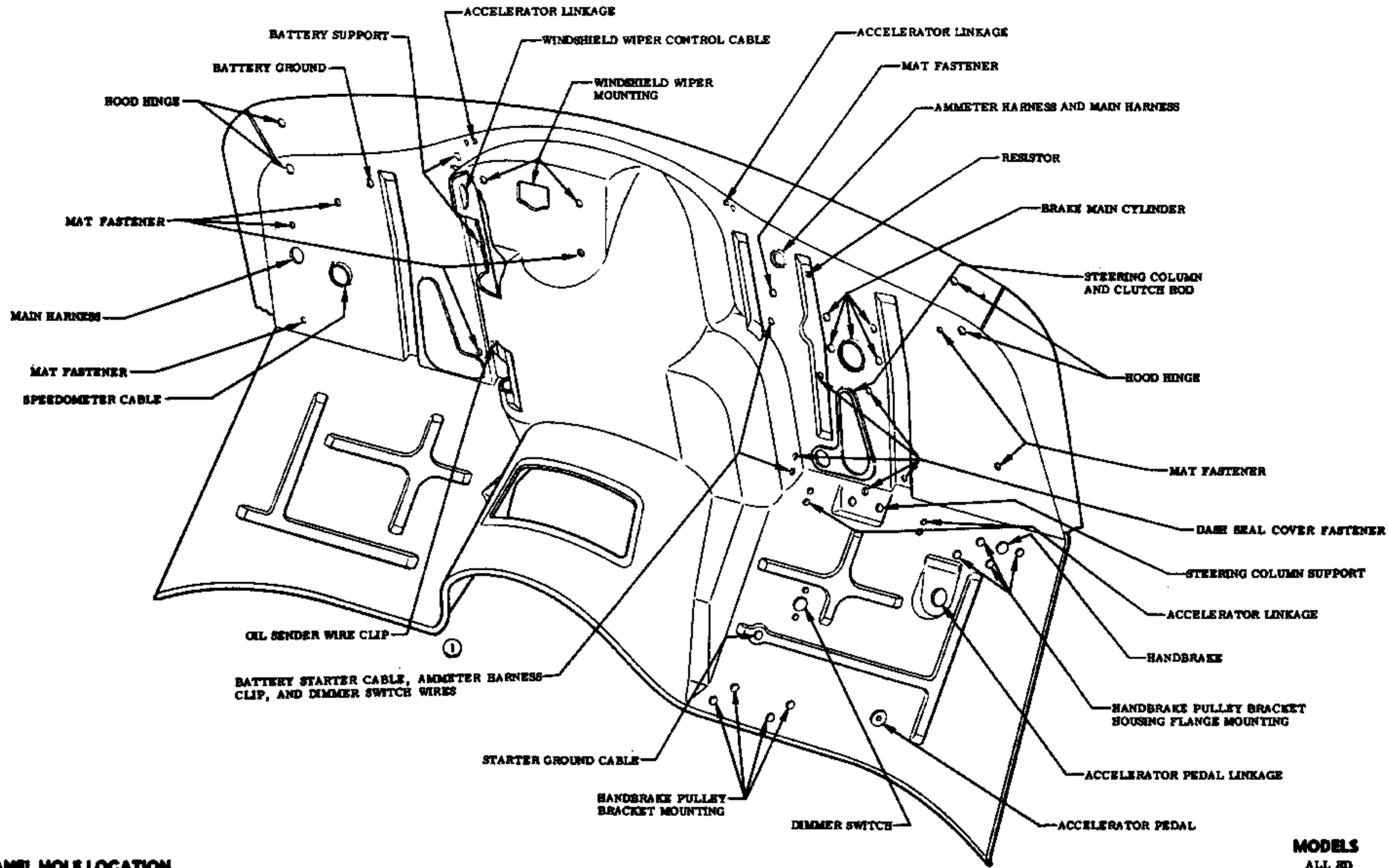
NO. 1 BODY MOUNTING SHEET 18.00

BODY SHIM HOLDING INSTRUCTION SHEET 29.01 ①
BODY MOUNTING CHECKING DIMENSIONS INSTRUCTION SHEET 30.00

BODY INSTRUCTION

MODELS
ALL

PASSENGER CAR INSTRUCTION MANUAL									
DATE	SYM.	REVISION RECORD	AUTH.	DR.	CK.	NAME	PART No.	SECT.	SHEET
1-18-55	3	NOTE REVISED	6092	F		REF.			
	2	OUTER ADDED		F		DRAWN			
10-24-55	1	NOTE ADDED	4256			DATE			
						7-25-55	3726400	1	1.00



DASH & TOE PANEL HOLE LOCATION INSTRUCTION

MODELS
ALL MD

						NAME PASSENGER CAR INSTRUCTION MANUAL				
						REF.	DRAWN	CHECKED	SECT.	SHEET
11-1-55		1 MAT FASTENER HOLE REMOVED		4137		DATE	PART No.	1		3.00
DATE	SYM.	REVISION RECORD	AUTH.	DR.	CK.	7-25-55	3726400			

DASH PANEL MAT ASSY
3723407 LD
3723408 RD

MAT ASSY

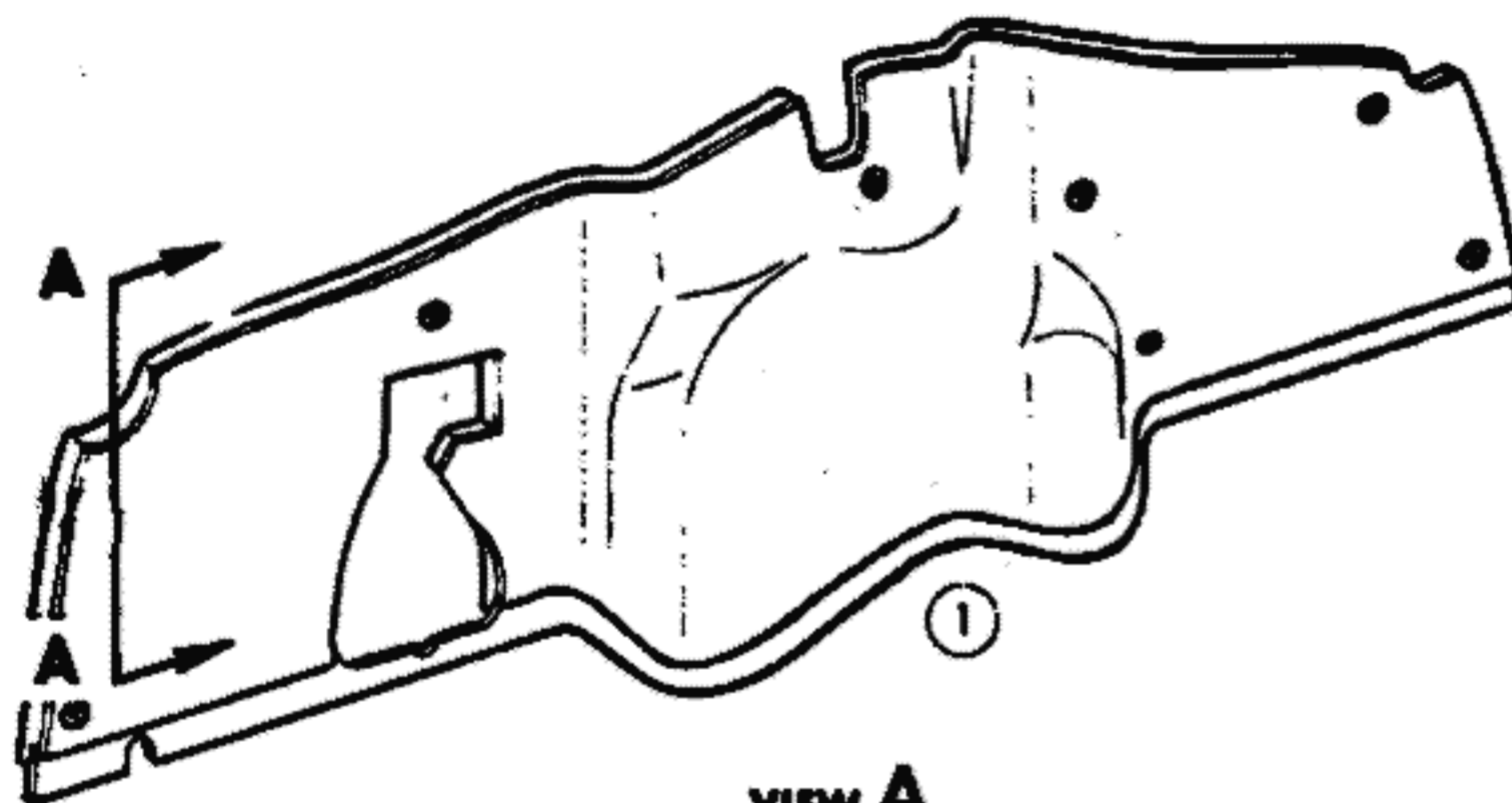
REF.
TOOL USED TO
INSERT FASTENERS

3730562 FASTENER

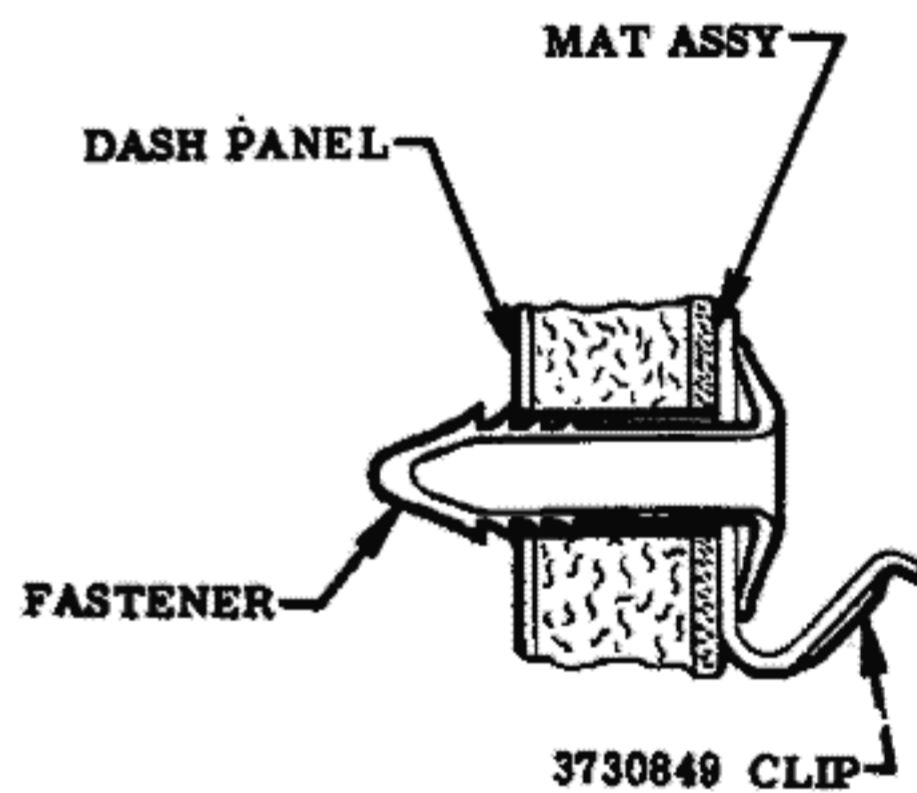
SECTION A-A
TYPICAL

④

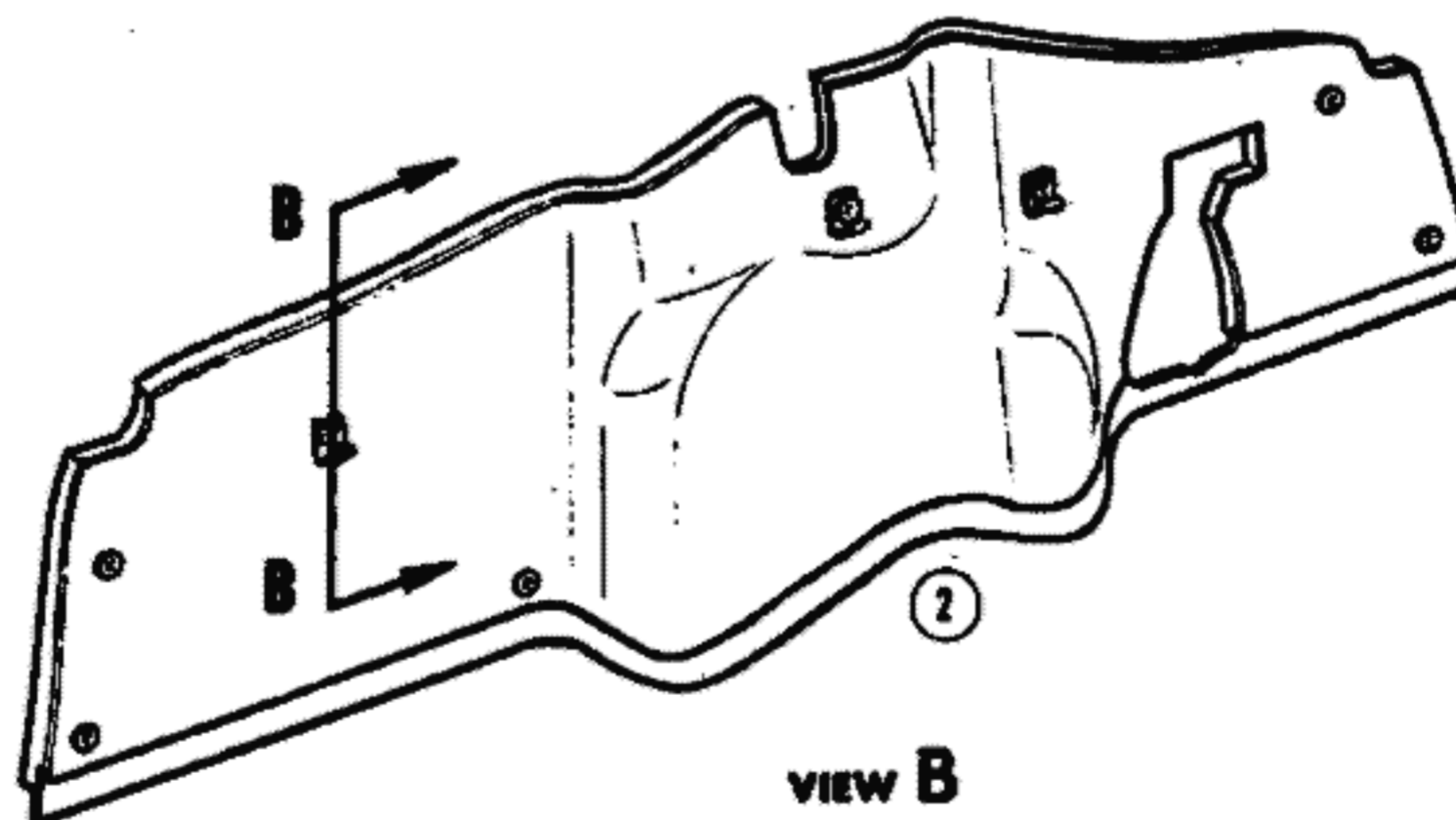
A-B



VIEW A
LD



③ SECTION B-B

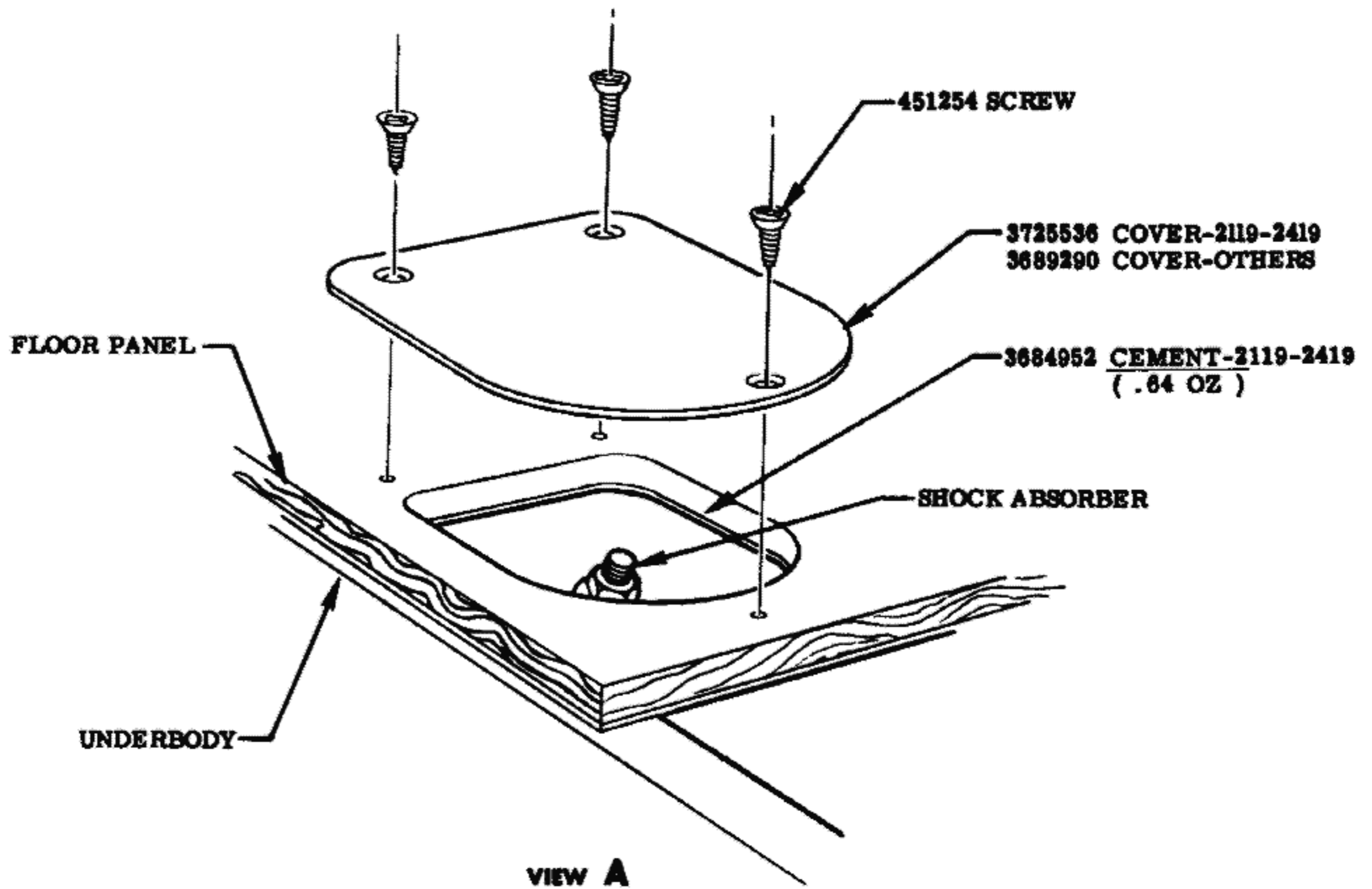
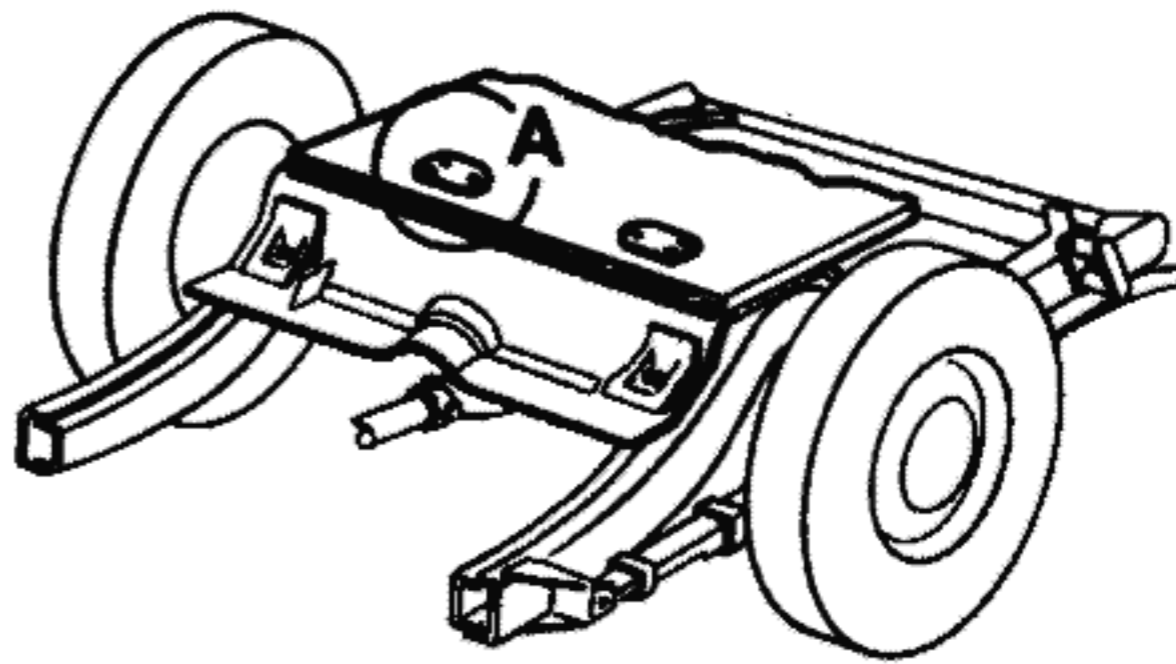


VIEW B
RD

MODELS
ALL

DASH PANEL MAT INSTRUCTION

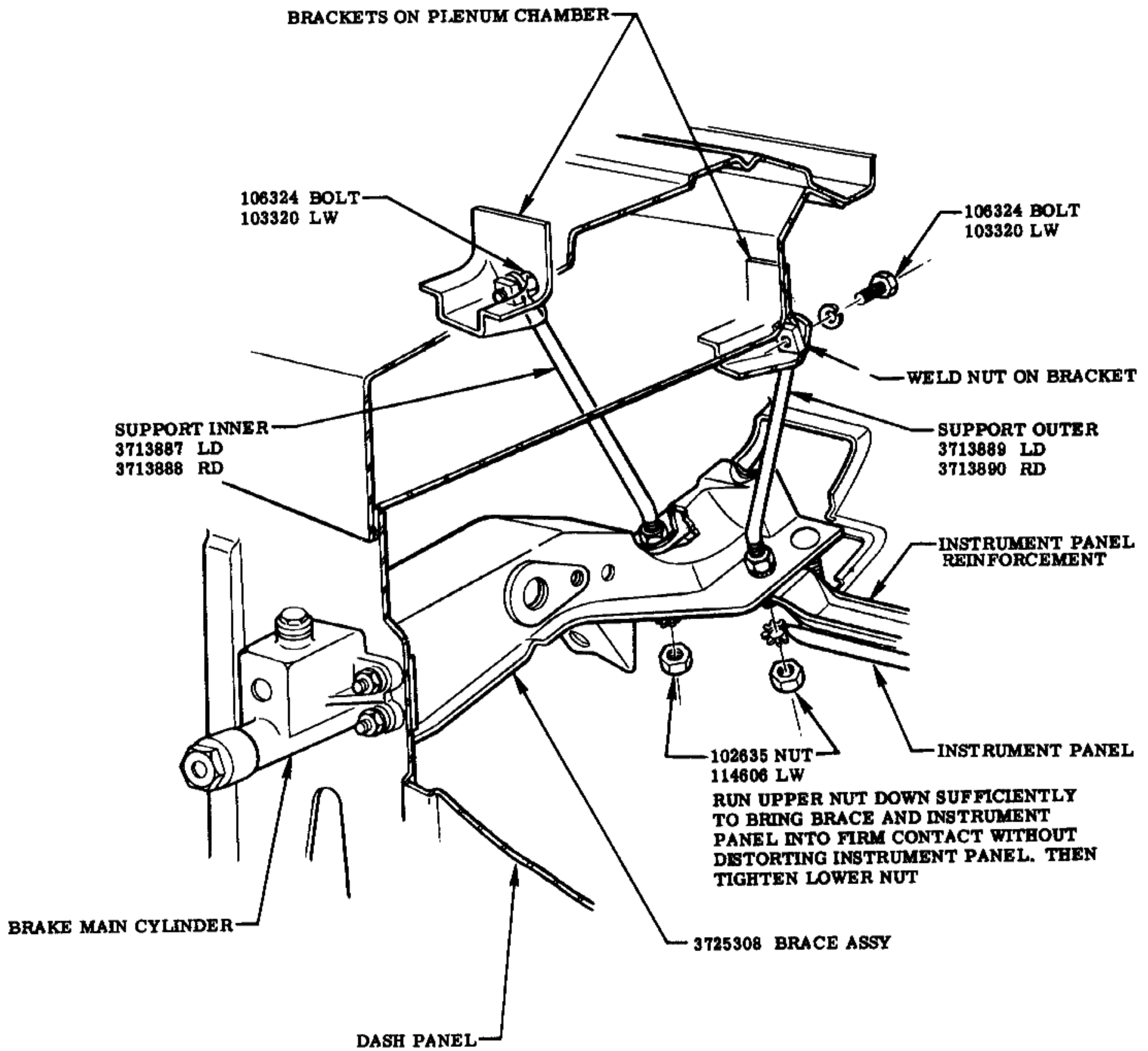
						NAME PASSENGER CAR INSTRUCTION MANUAL				
DATE	SYM.	REVISION RECORD	AUTH.	DR.	CK.	REF.	DRAWN	CHECKED	SECT.	SHEET
2-8-58	4	WAS 3726785	7177		F					
	3	VIEW ADDED	4491		F					
	2	1 MAT FASTENER REMOVED							F	
11-1-55	1	1 MAT FASTENER REMOVED	4137			DATE 7-25-55	PART No. 3726600		1	4.00



**REAR SHOCK ABSORBER HOLE COVER
INSTRUCTION**

MODELS
SEDAN DELIVERY
AND STATION WAGON

					NAME PASSENGER CAR INSTRUCTION MANUAL				
					REF.	DRAWN	CHECKED F	SECT.	SHEET
					DATE 7-25-55	PART No. 3726600			1 5.00
DATE	SYM.	REVISION RECORD	AUTH.	DR.	CK.				

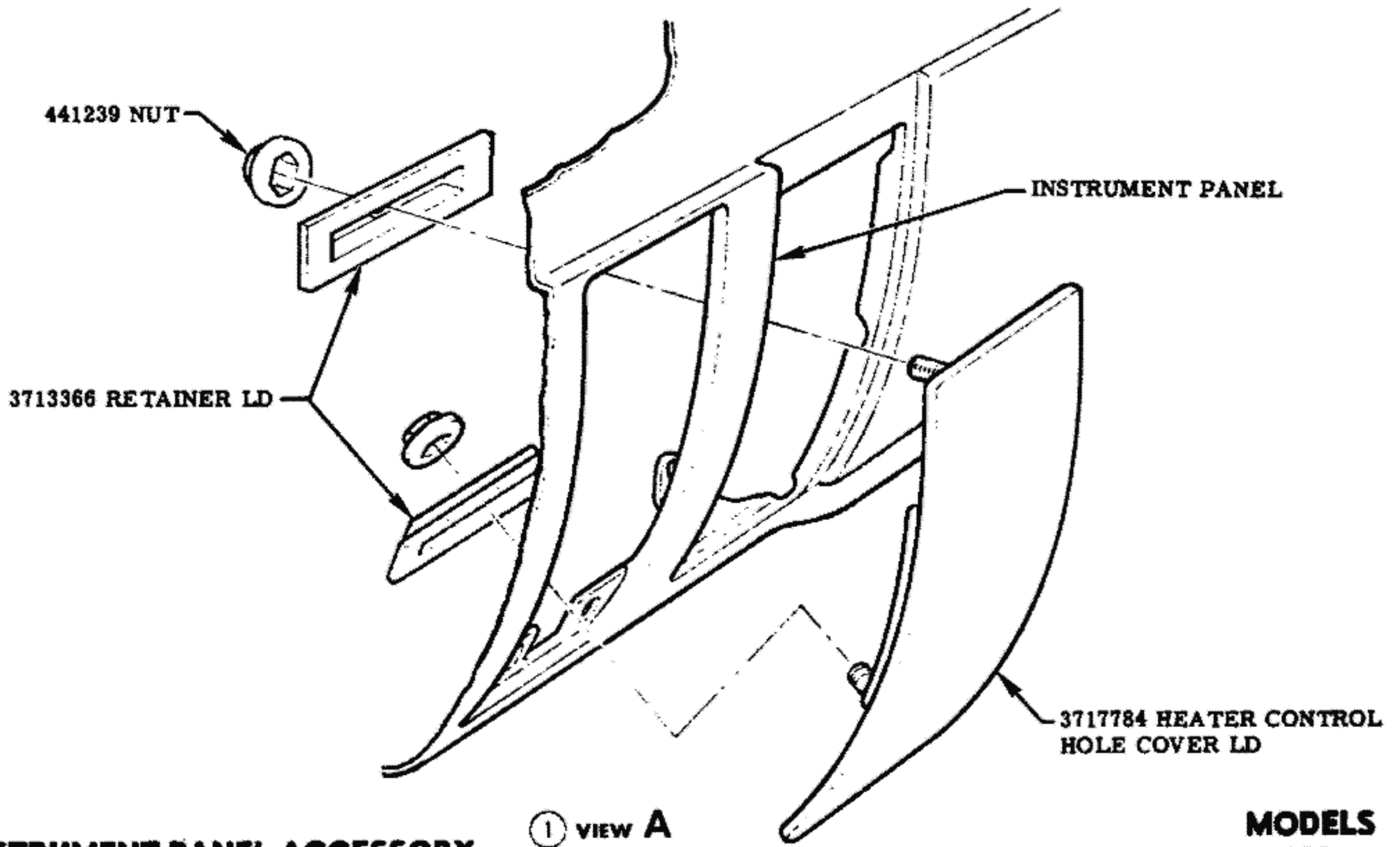
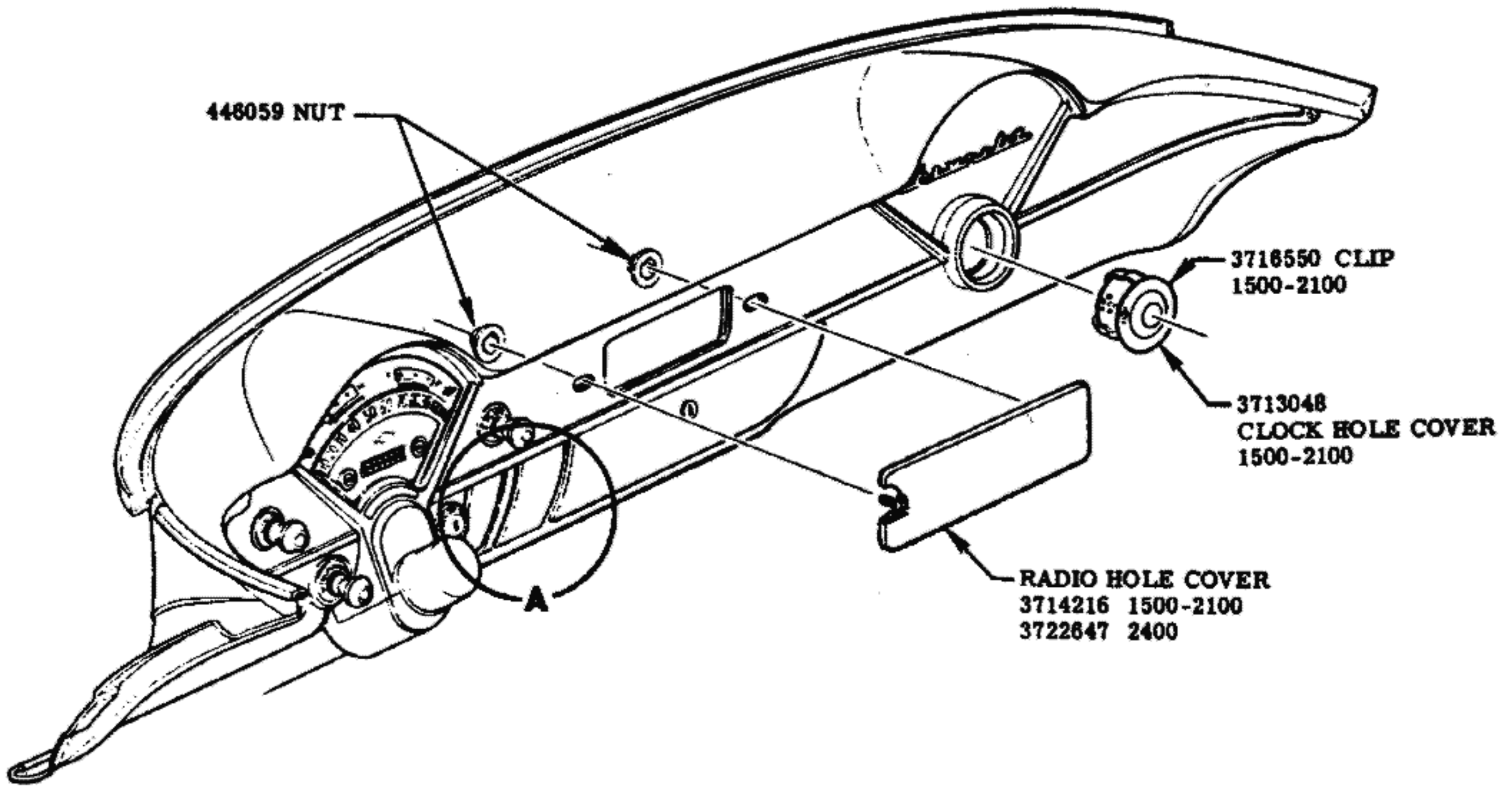


INSTRUMENT PANEL BRACE INSTRUCTION

MODELS

ALL

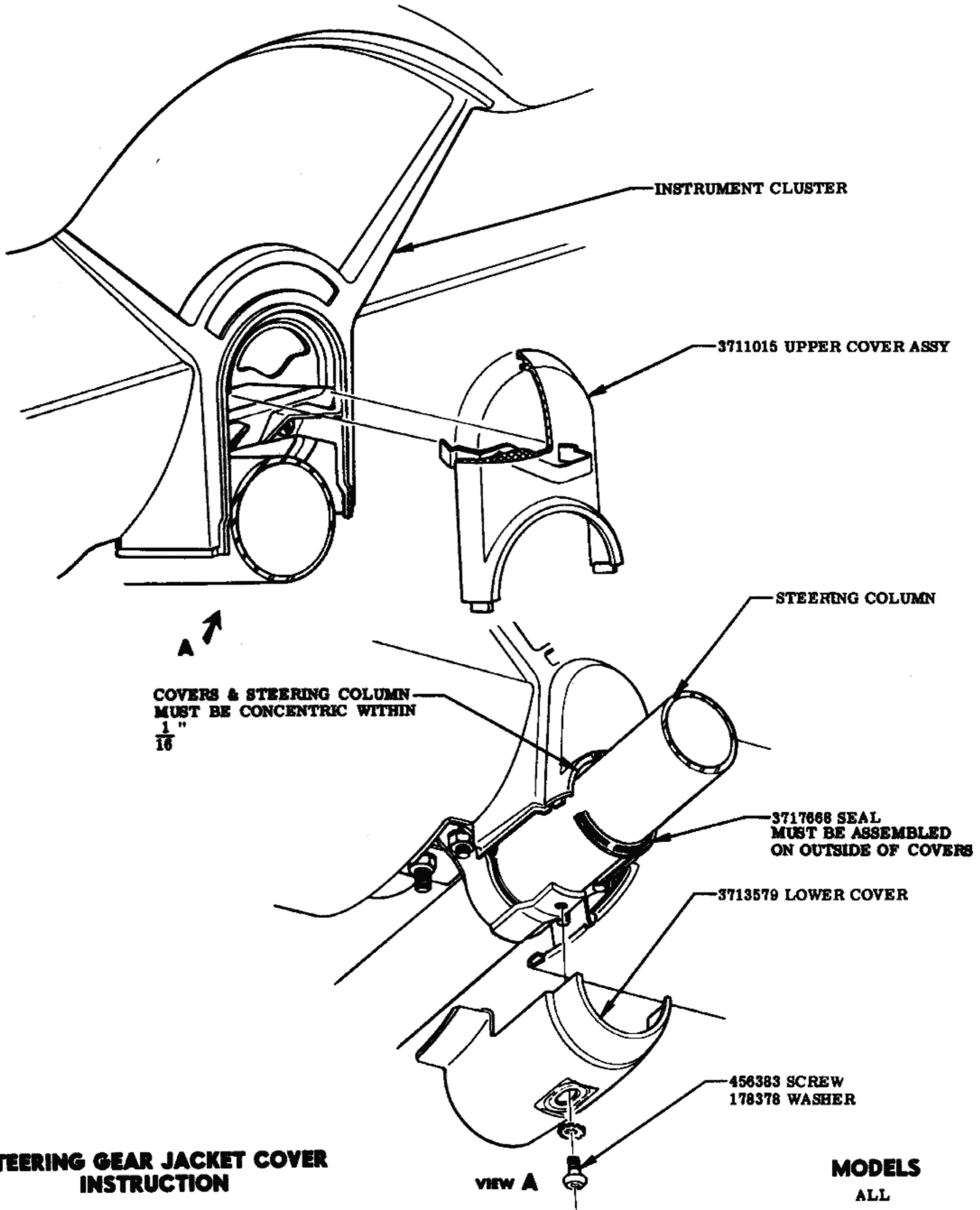
					NAME PASSENGER CAR INSTRUCTION MANUAL				
					REF.	DRAWN	CHECKED	SECT.	SHEET
							F	1	6.00
					DATE	PART No.			
					7-25-55	3726600			
DATE	SYM.	REVISION RECORD	AUTH.	DR.	CK.				



INSTRUMENT PANEL ACCESSORY HOLE COVER INSTRUCTION

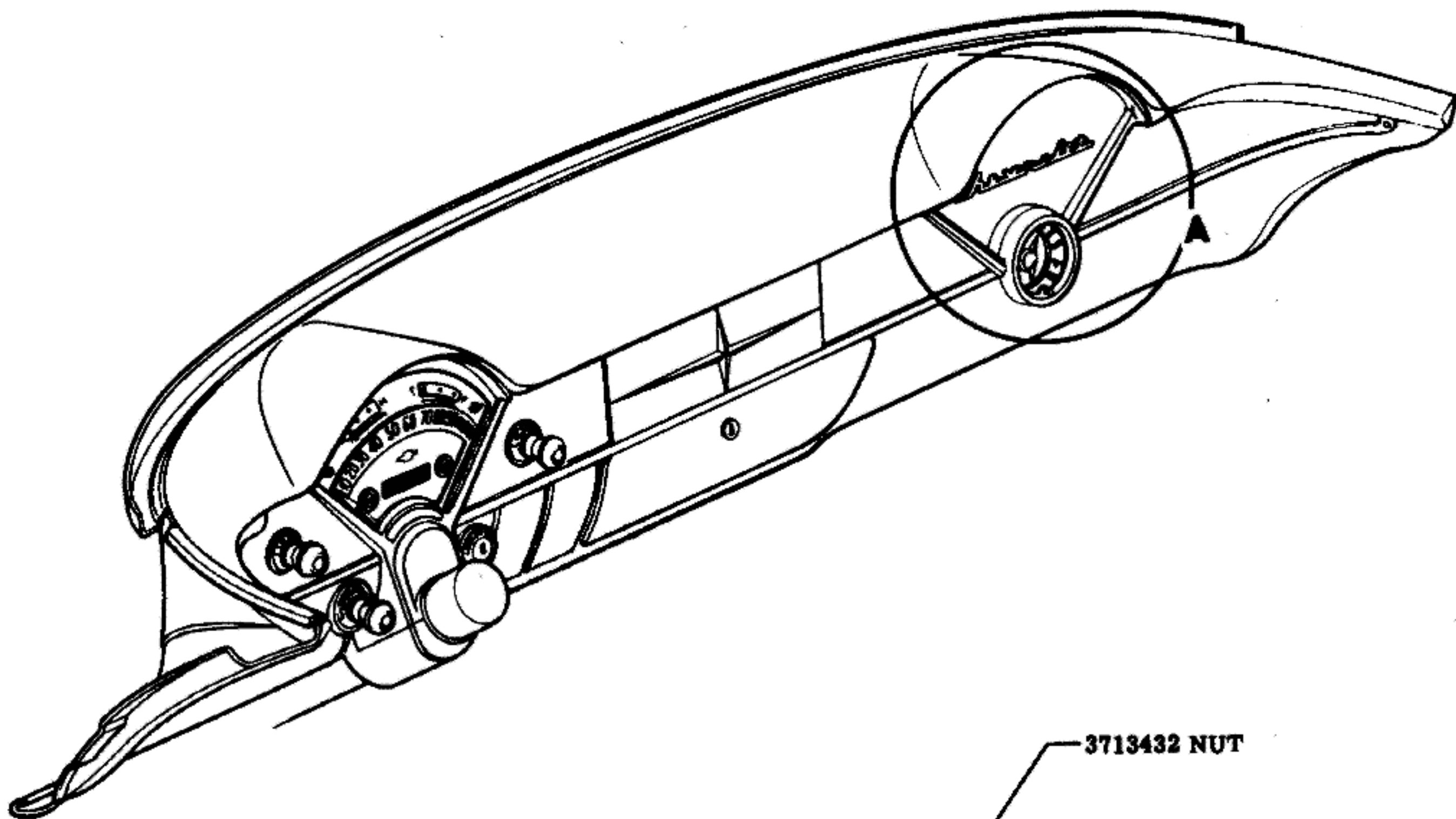
MODELS ALL

					NAME PASSENGER CAR INSTRUCTION MANUAL					
					REF.	DRAWN	CHECKED	SECT.	SHEET	
							F	1	7.00	
11-7-55	1	REDRAWN & REVISED	2252	F	DATE	PART No.				
DATE	SYM.	REVISION RECORD	AUTH.	DR.	CK.	7-25-55	3726600			

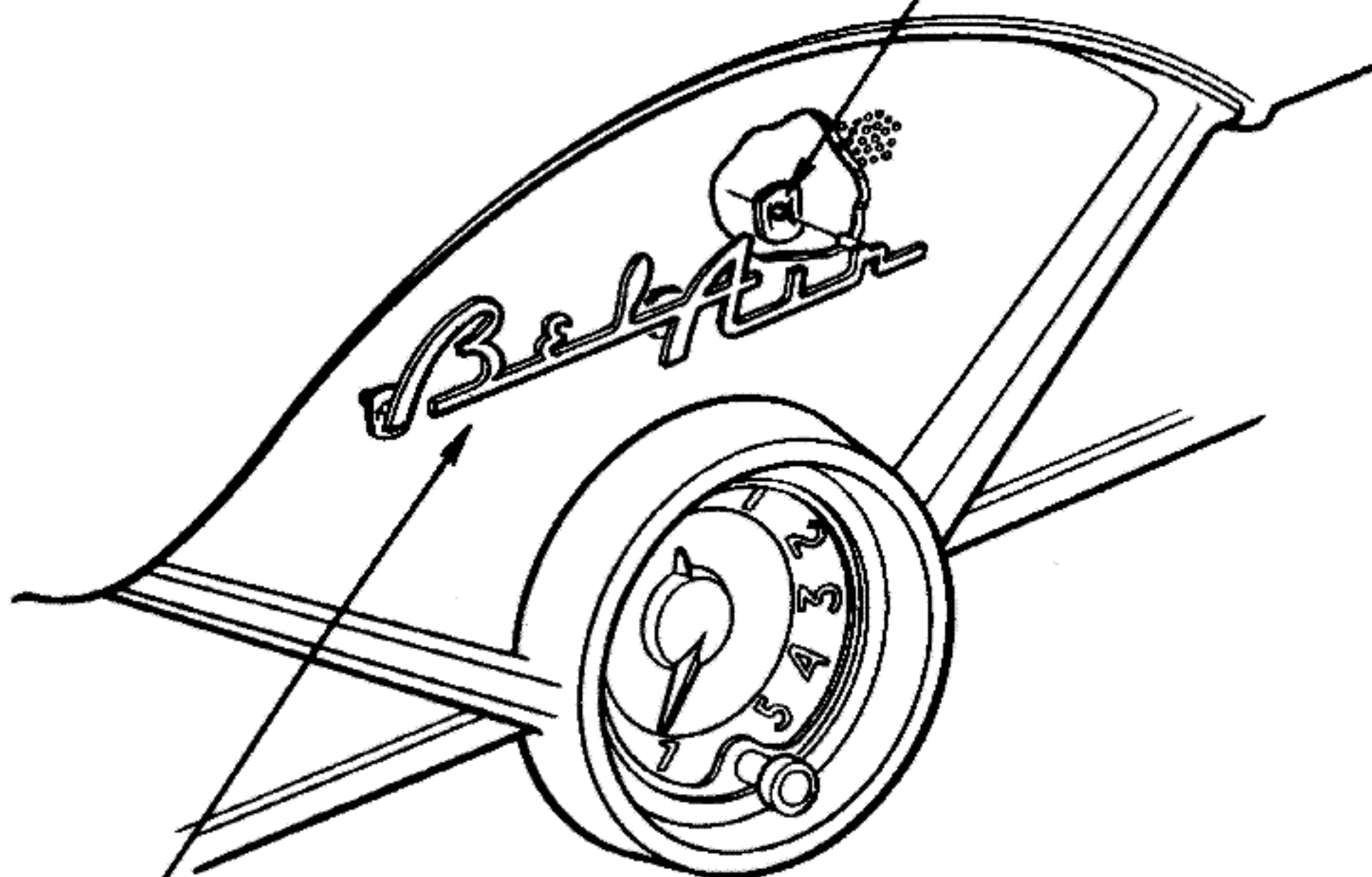


**STEERING GEAR JACKET COVER
INSTRUCTION**

						NAME	PASSENGER CAR INSTRUCTION MANUAL			
						REF.	DRAWN	CHECKED	SECT.	SHEET
						DATE	PART No.	F	1	8.00
DATE	SYM.	REVISION RECORD	AUTH.	DR.	CK.	7-25-55	3726600			



3713432 NUT



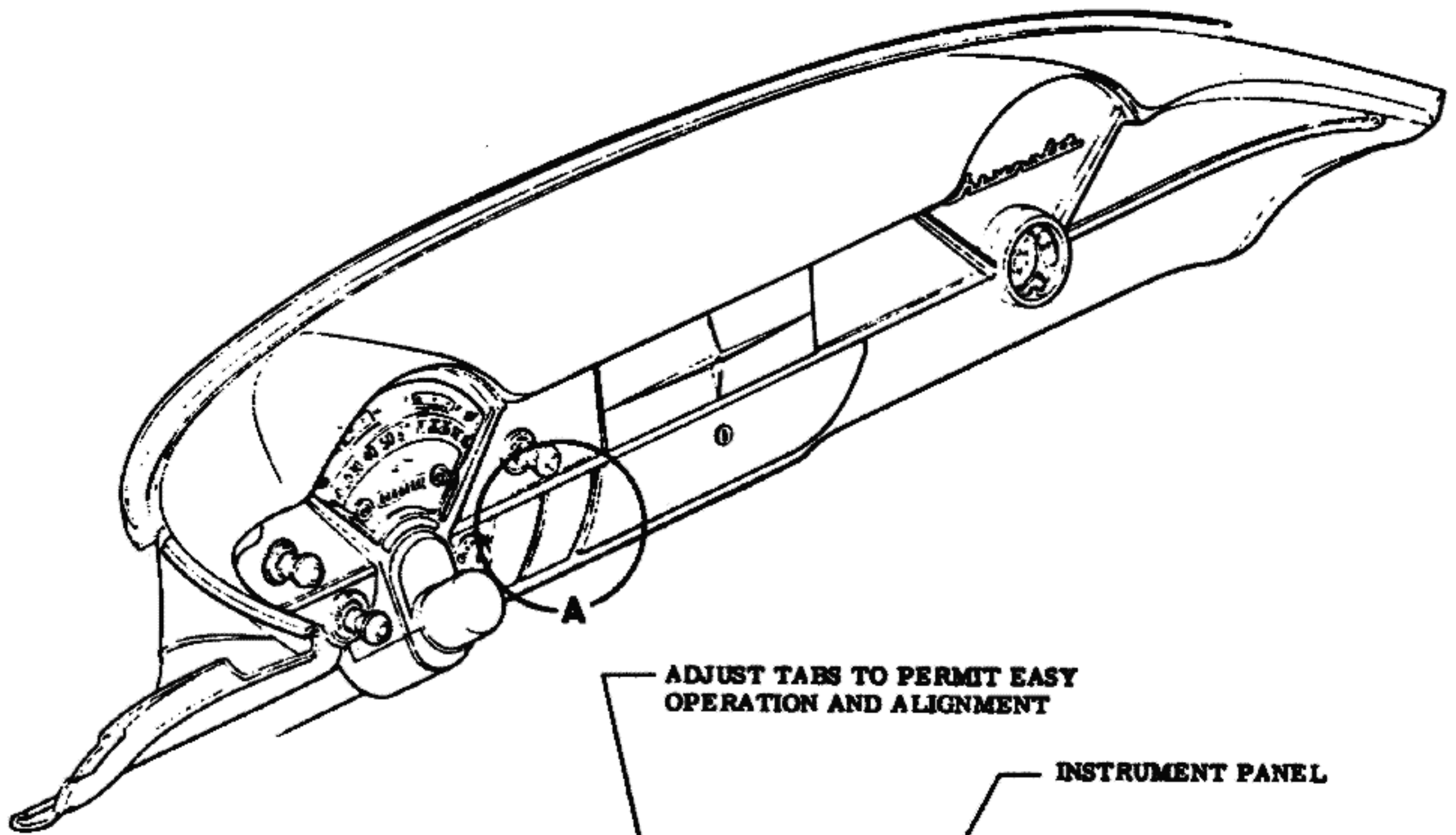
VIEW A

NAME PLATE
 3711574 1500-2100 (SHOWN ABOVE)
 3711609 2400

MODELS
 ALL

**INSTRUMENT PANEL NAME PLATE
 INSTRUCTION**

						NAME	PASSENGER CAR INSTRUCTION MANUAL				
						REF.	DRAWN	CHECKED	F	SECT.	SHEET
						DATE	PART No.	3726600		1	9.00
DATE	SYM.	REVISION RECORD	AUTH.	DR.	CK.	7-25-55					



ADJUST TABS TO PERMIT EASY OPERATION AND ALIGNMENT

INSTRUMENT PANEL

3711131 ASH TRAY ASSY

BRUSH LIGHTLY WITH LUBRIPLATE

3711137 RETAINER

161857 SCREW

VIEW A

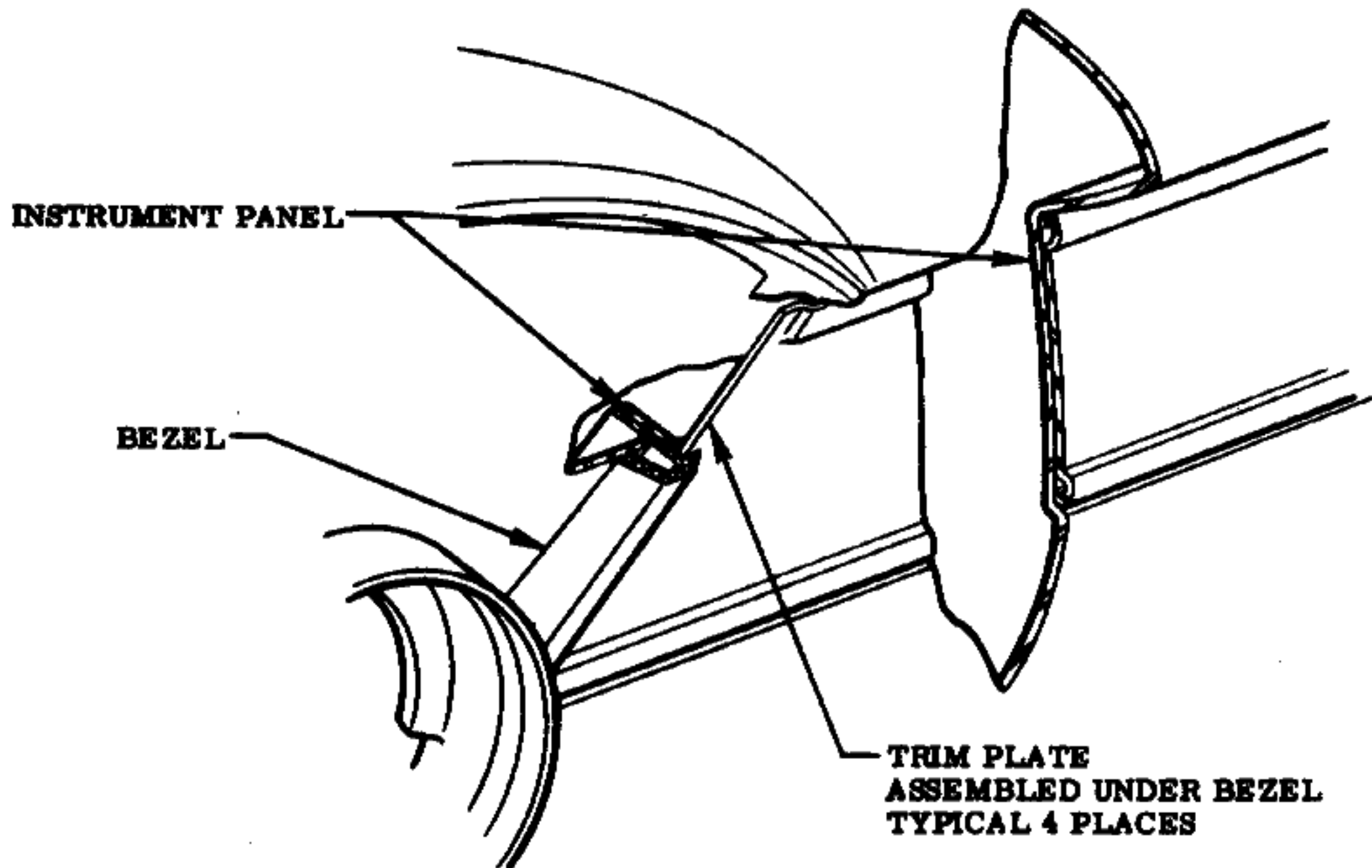
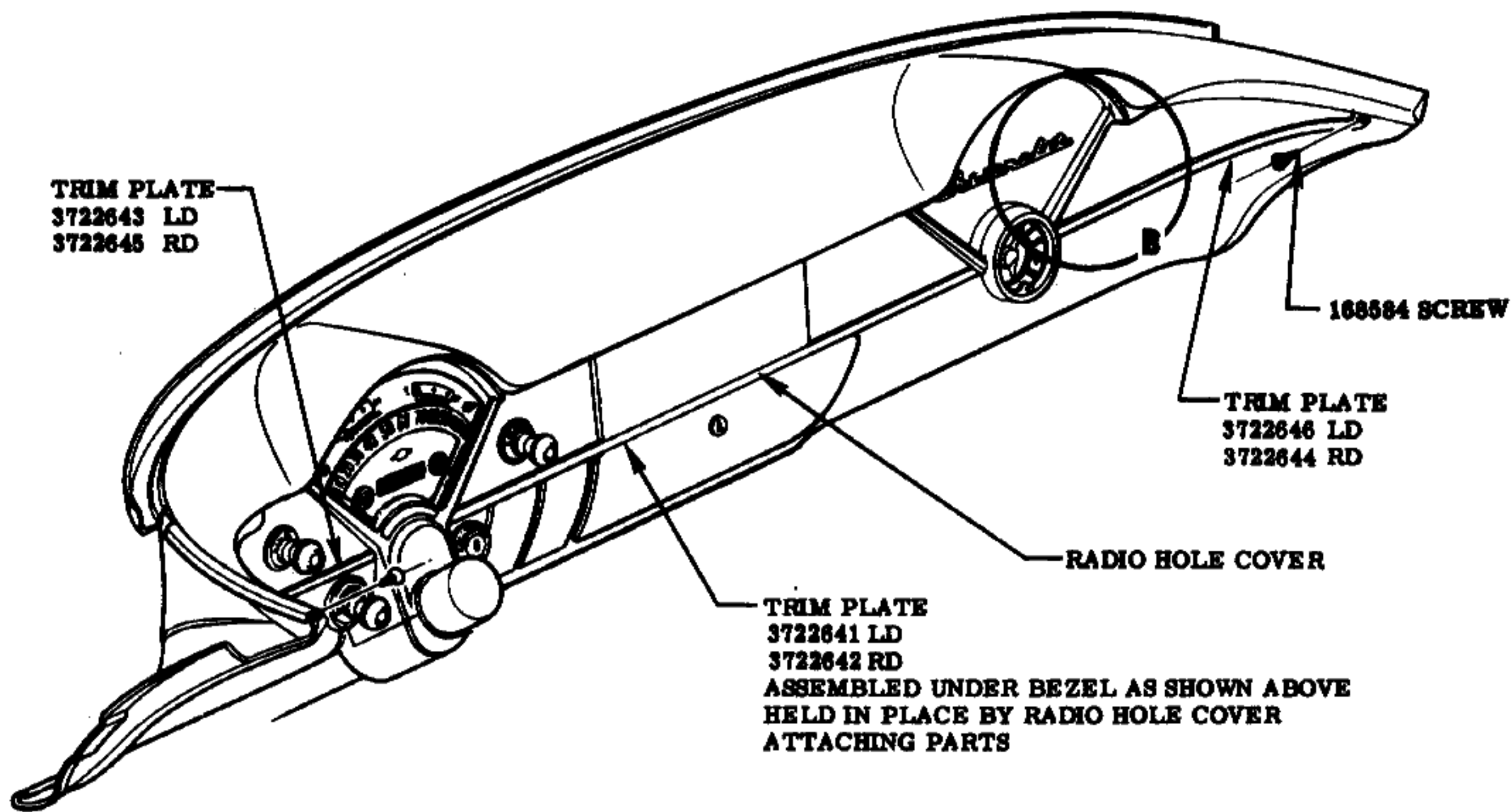
SEE LUBRICATION INSTRUCTION

ASH TRAY INSTRUCTION

MODELS

① ALL

						NAME PASSENGER CAR INSTRUCTION MANUAL				
						REF.	DRAWN	CHECKED F	SECT.	SHEET
11-7-55	I	WAS 2100-2400	2252		F	DATE 7-25-55	PART No. 3726600		1	10.00
DATE	SYM.	REVISION RECORD	AUTH.	DR.	CK.					

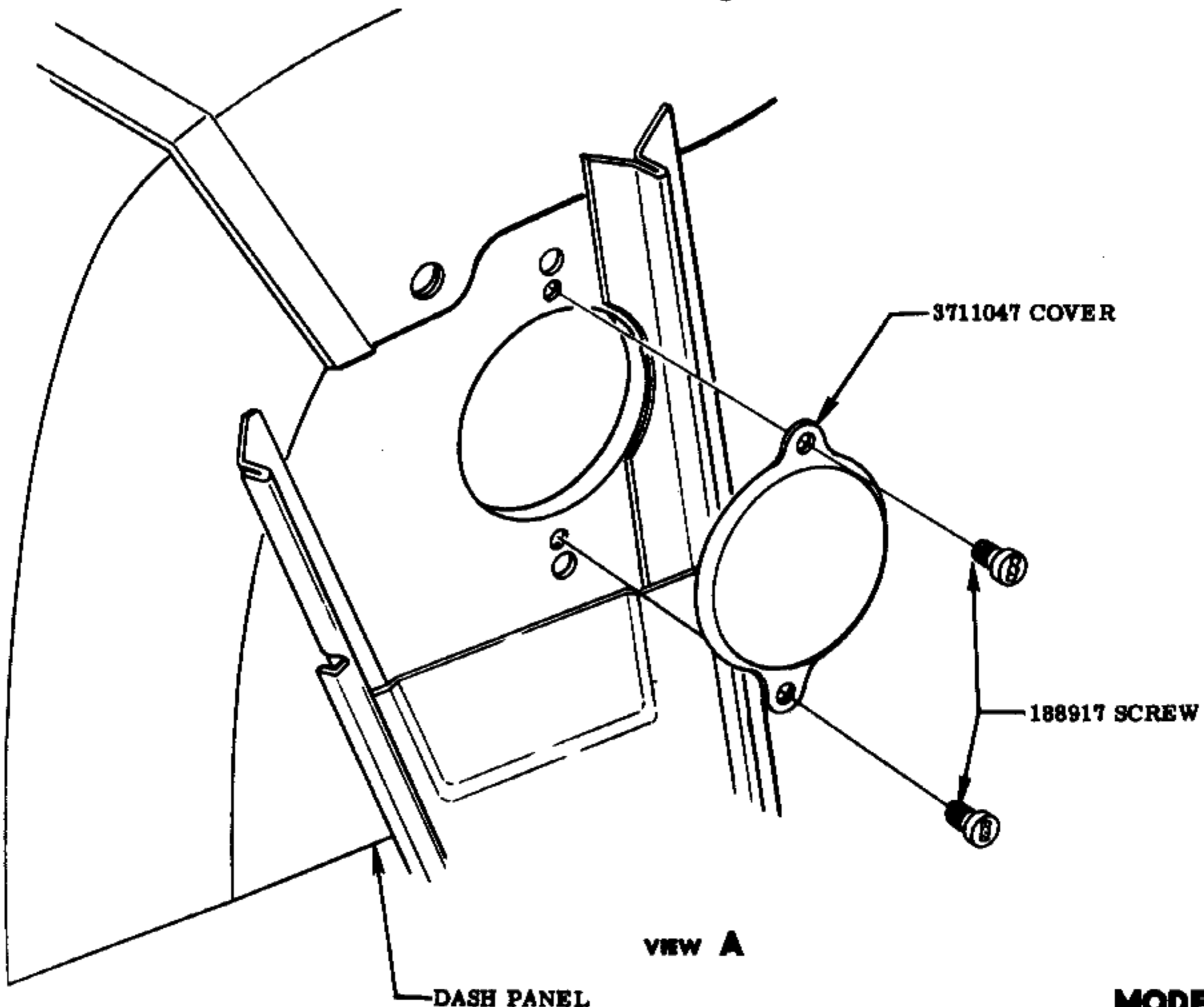
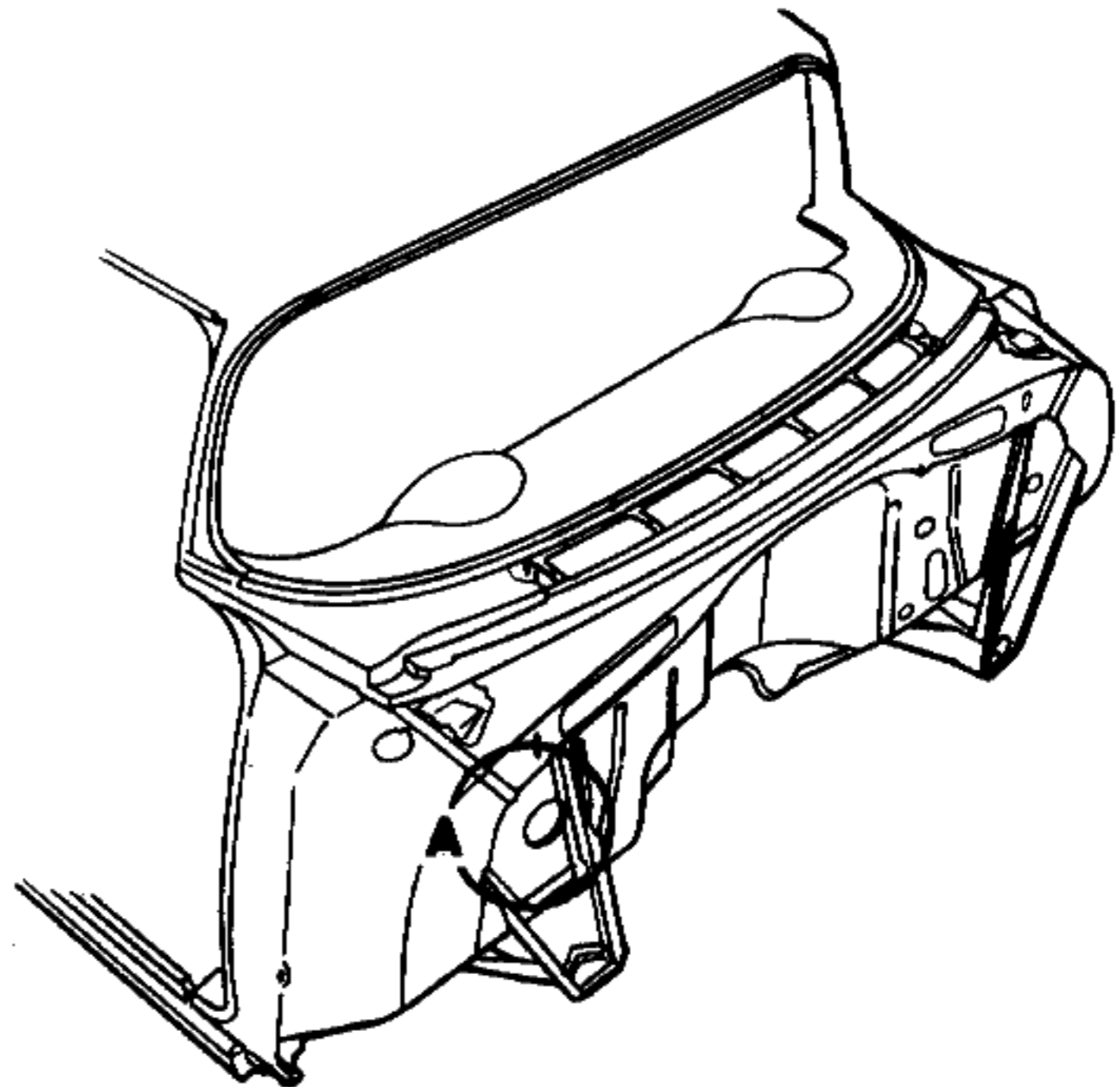


VIEW B

**INSTRUMENT PANEL TRIM PLATES
INSTRUCTION**

MODELS
2400

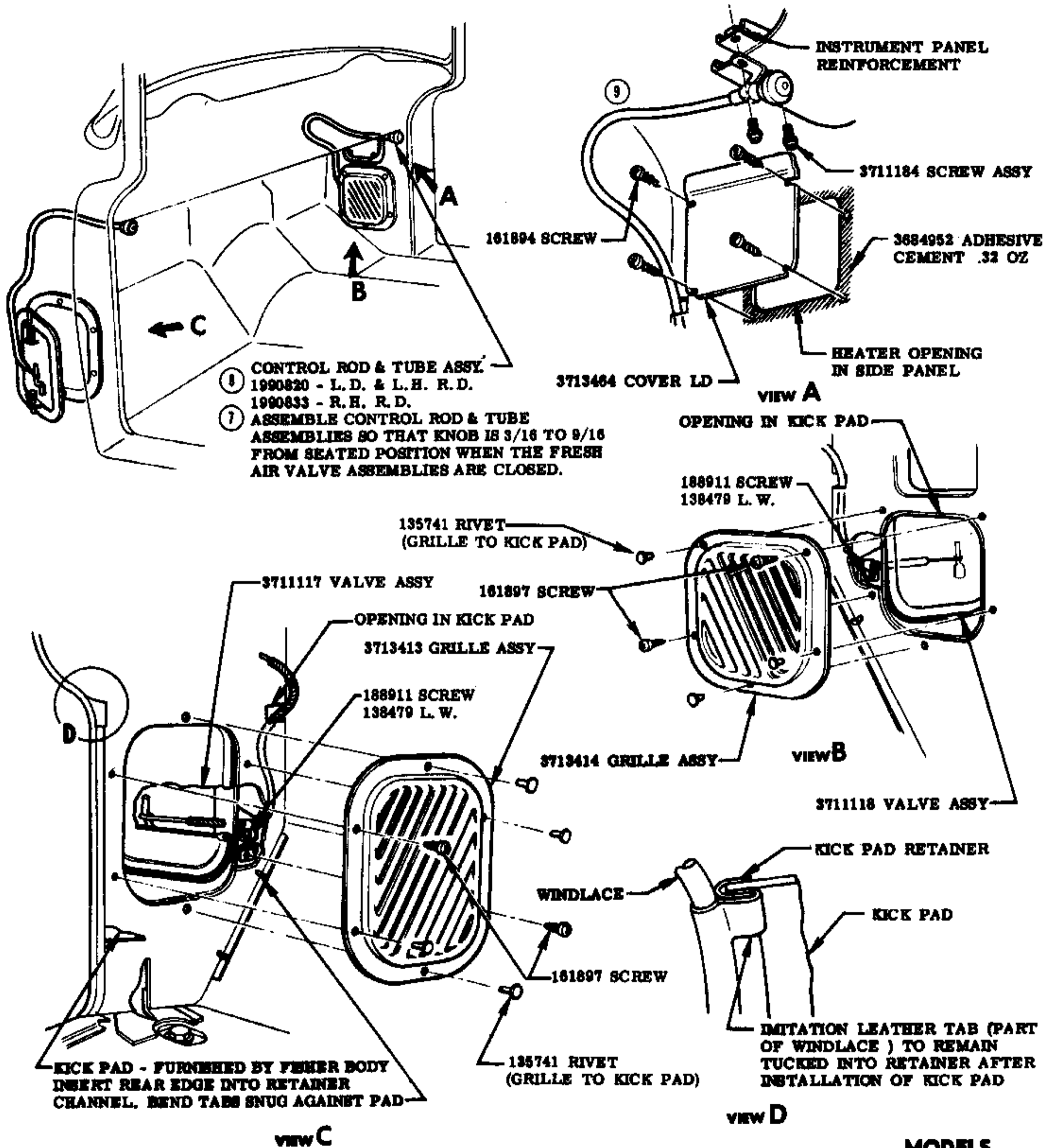
						NAME	PASSENGER CAR INSTRUCTION MANUAL			
						REF.	DRAWN	CHECKED	SECT.	SHEET
								F	1	11.00
DATE	SYM.	REVISION RECORD	AUTH.	DR.	CK.	DATE	PART No.			
						7-25-55	3726600			



DASH PANEL HEATER HOLE COVER INSTRUCTION

MODELS
ALL LD

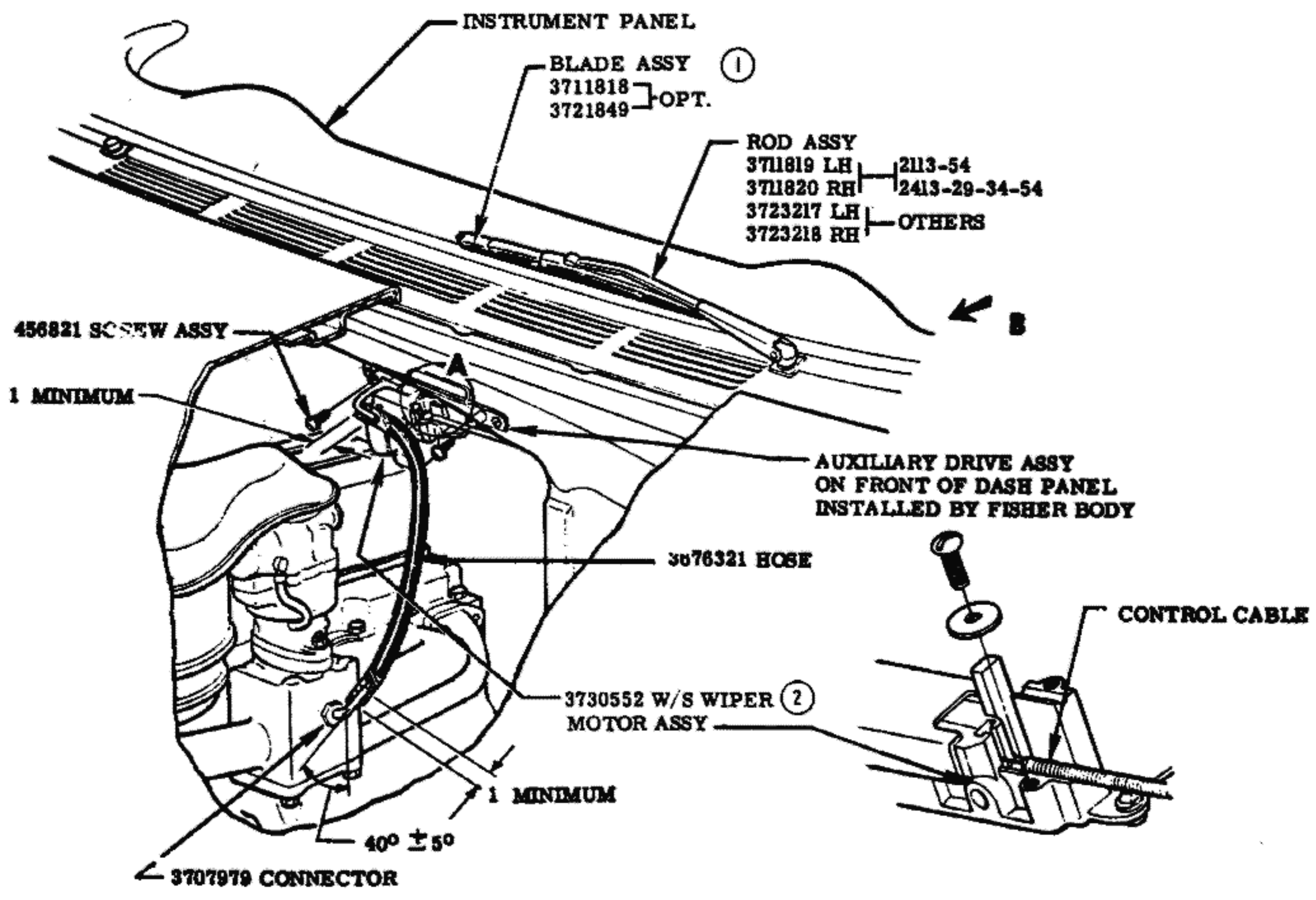
						NAME PASSENGER CAR INSTRUCTION MANUAL				
						REF.	DRAWN	CHECKED	SECT.	SHEET
								F	1	12.00
						DATE	PART No.			
						7-25-55	3726600			
DATE	SYM.	REVISION RECORD	AUTH.	DR.	CK.					



MODELS
ALL

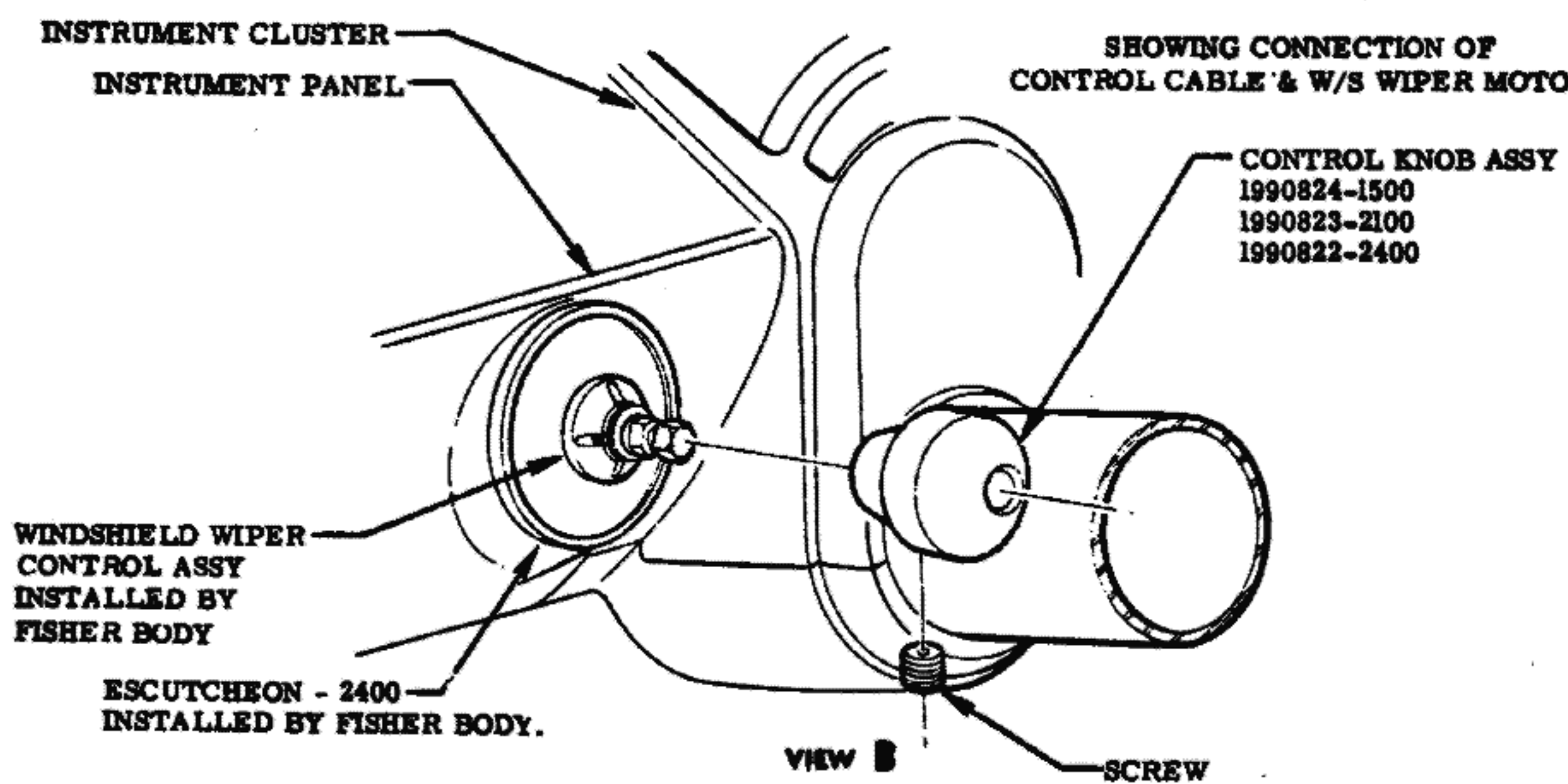
COWL VENTILATOR INSTRUCTION

	9	CLIP REMVD & ROD REROUTED			F	NAME PASSENGER CAR INSTRUCTION MANUAL				
	8	1990820 WAS "L.H. L.D. & R.D."				REF.	DRAWN	CHECKED	SECT.	SHEET
	7	1990831 R.H., L.D. REMOVED						F		
1-30-56	6	REDRAWN	6381	V		DATE	PART No.		1	13.00
DATE	SYM.	REVISION RECORD	AUTH.	DR.	CK.	7-25-55	3726600			



VIEW A

SHOWING CONNECTION OF CONTROL CABLE & W/S WIPER MOTOR

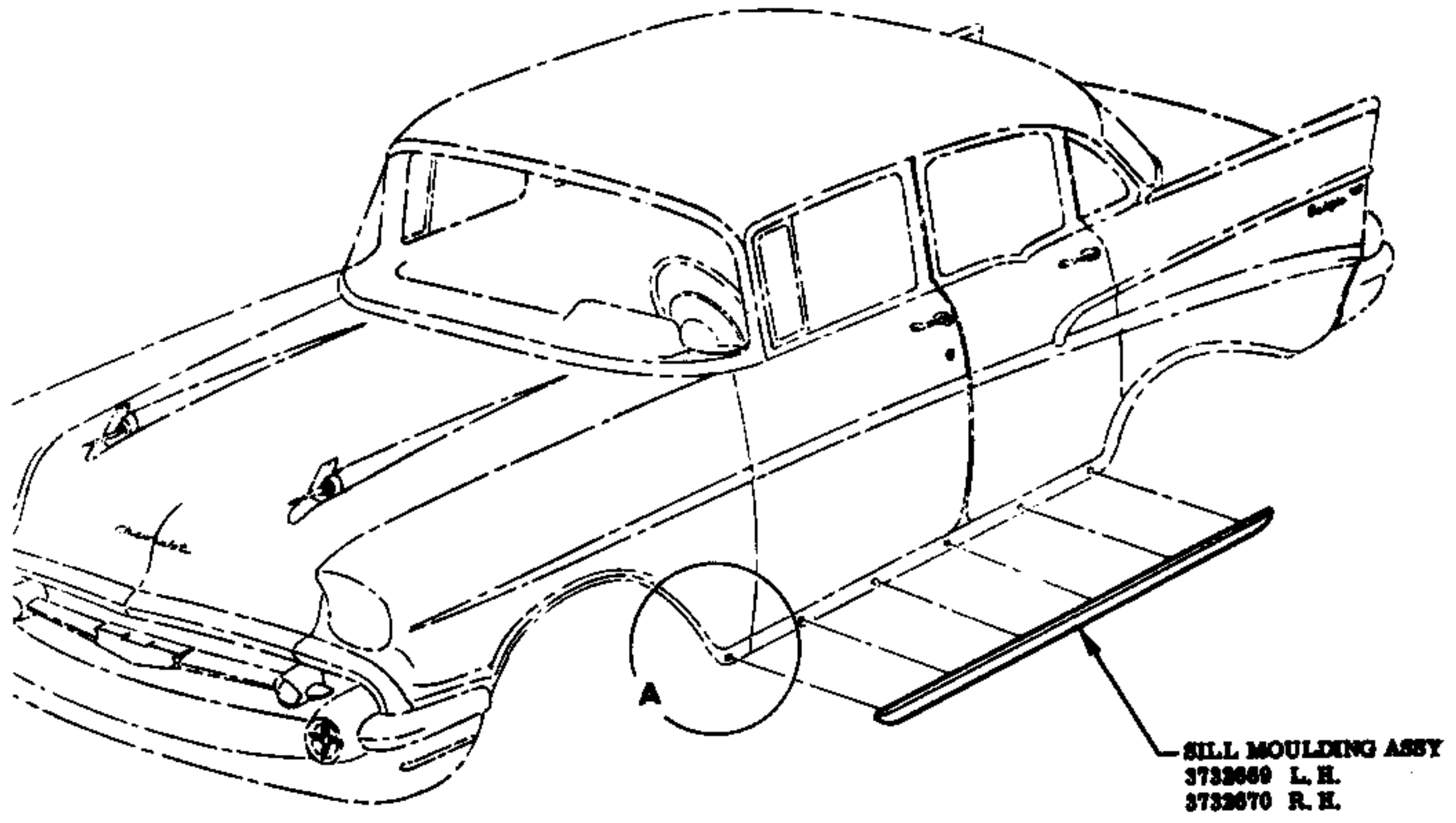


MODELS
ALL

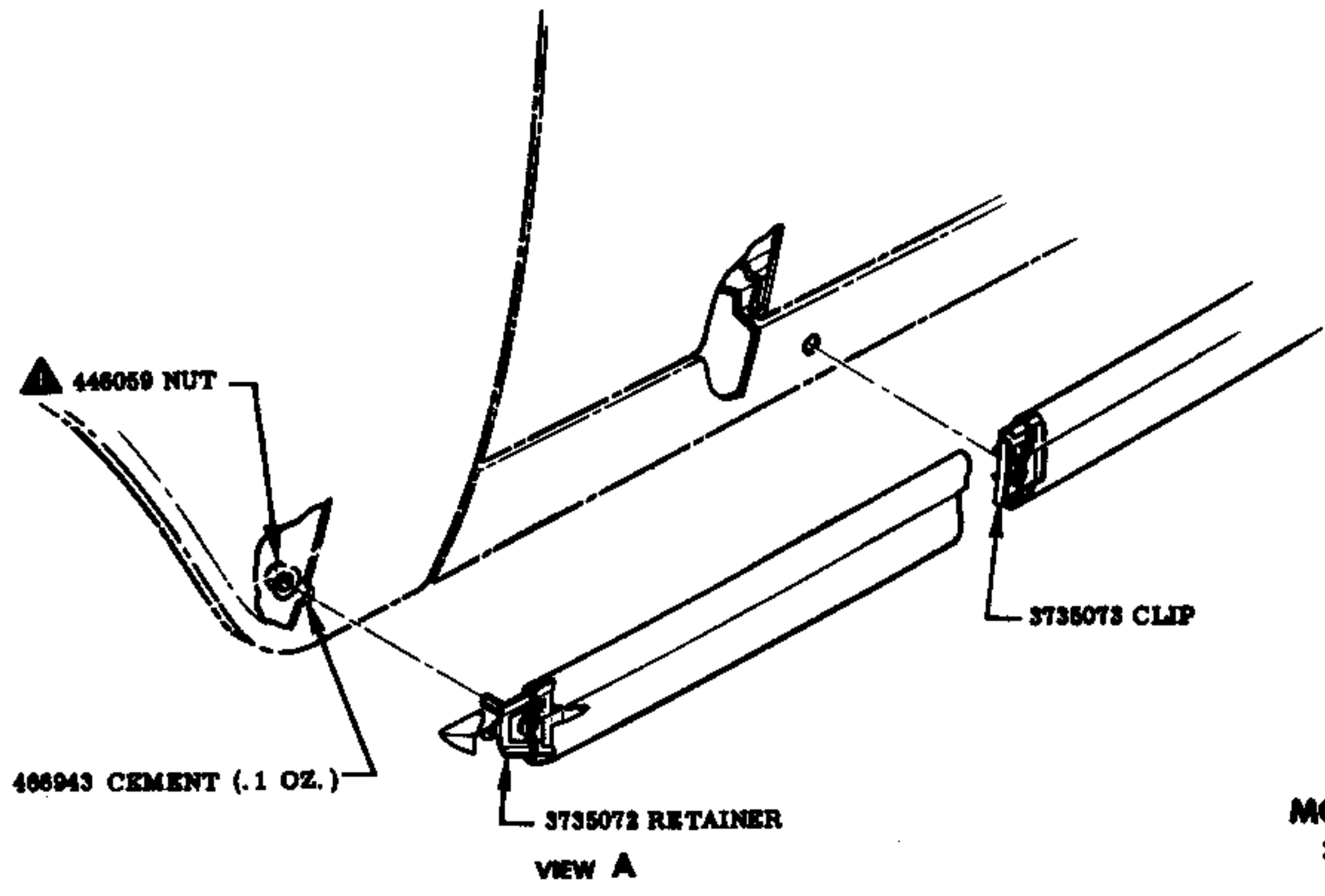
WINDSHIELD WIPER INSTRUCTION

					NAME PASSENGER CAR INSTRUCTION MANUAL				
					REF.	DRAWN	CHECKED	SECT.	SHEET
							F	1	14.00
10-24-55	2	WAS 4651974	4177	F	DATE	PART No.	3726600		
DATE	SYM.	REVISION RECORD	AUTH.	DR. CK.	7-25-55				

▲ 20-25 LBS. IN. ①



SILL MOULDING ASSY
 3732669 L.H.
 3732670 R.H.



▲ 446059 NUT

466943 CEMENT (.1 OZ.)

3735073 CLIP

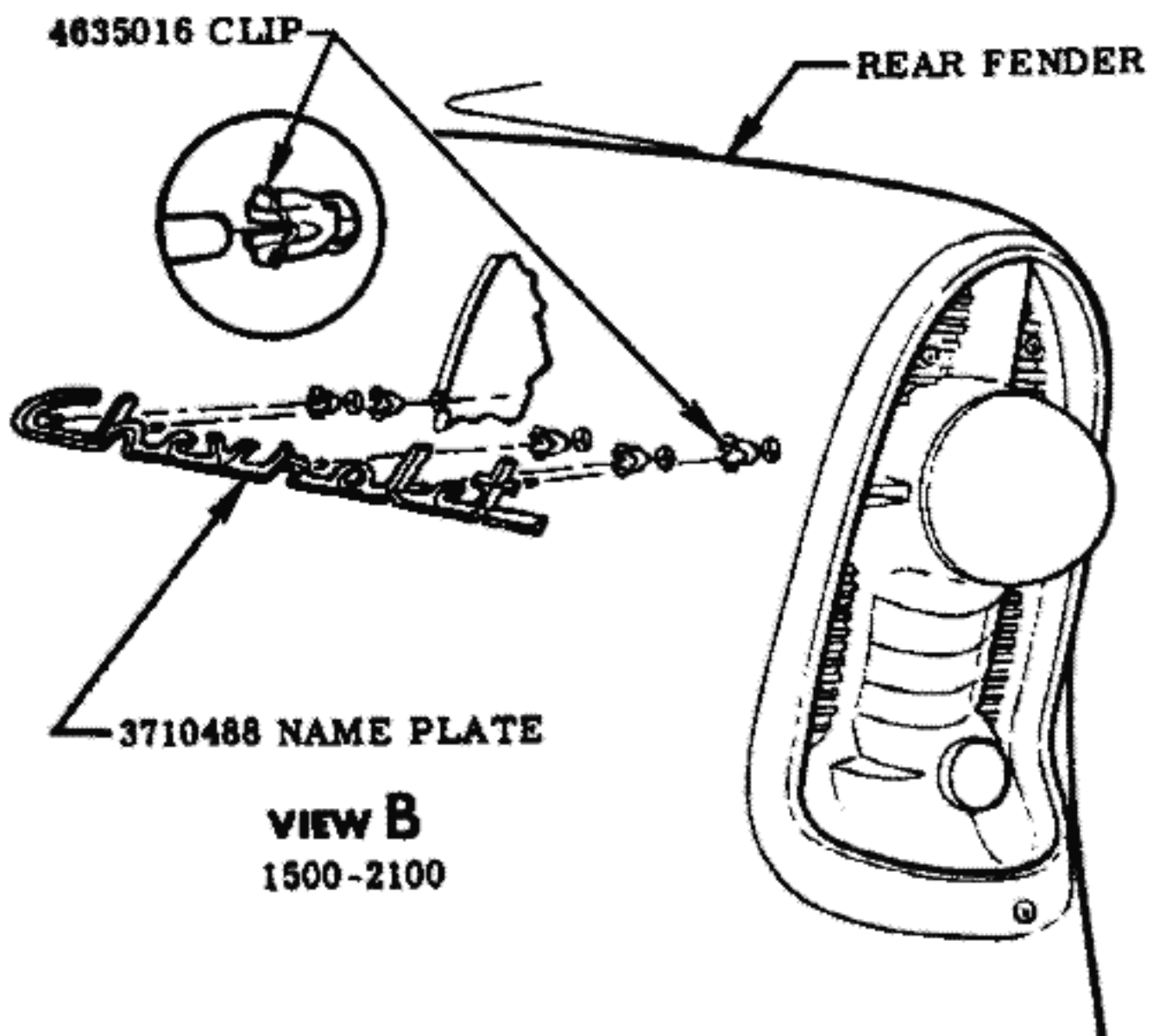
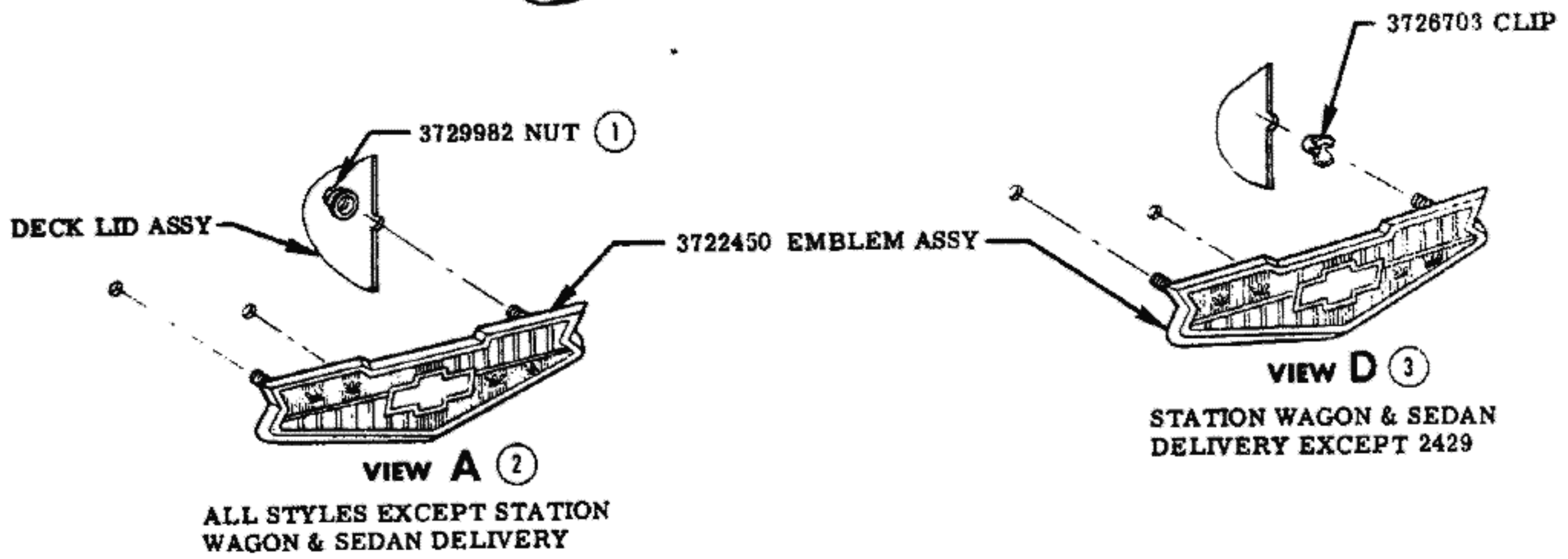
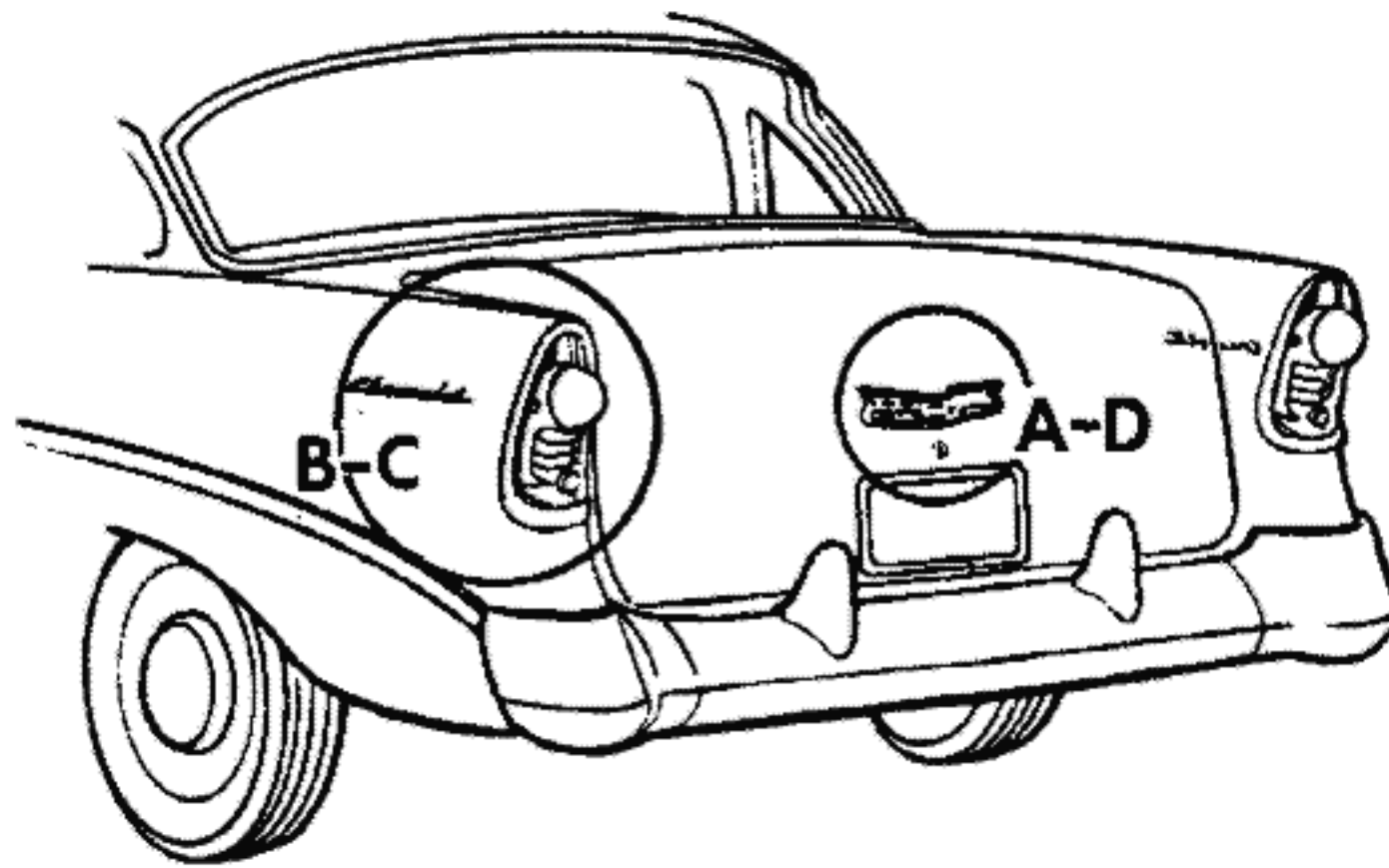
3735072 RETAINER

VIEW A

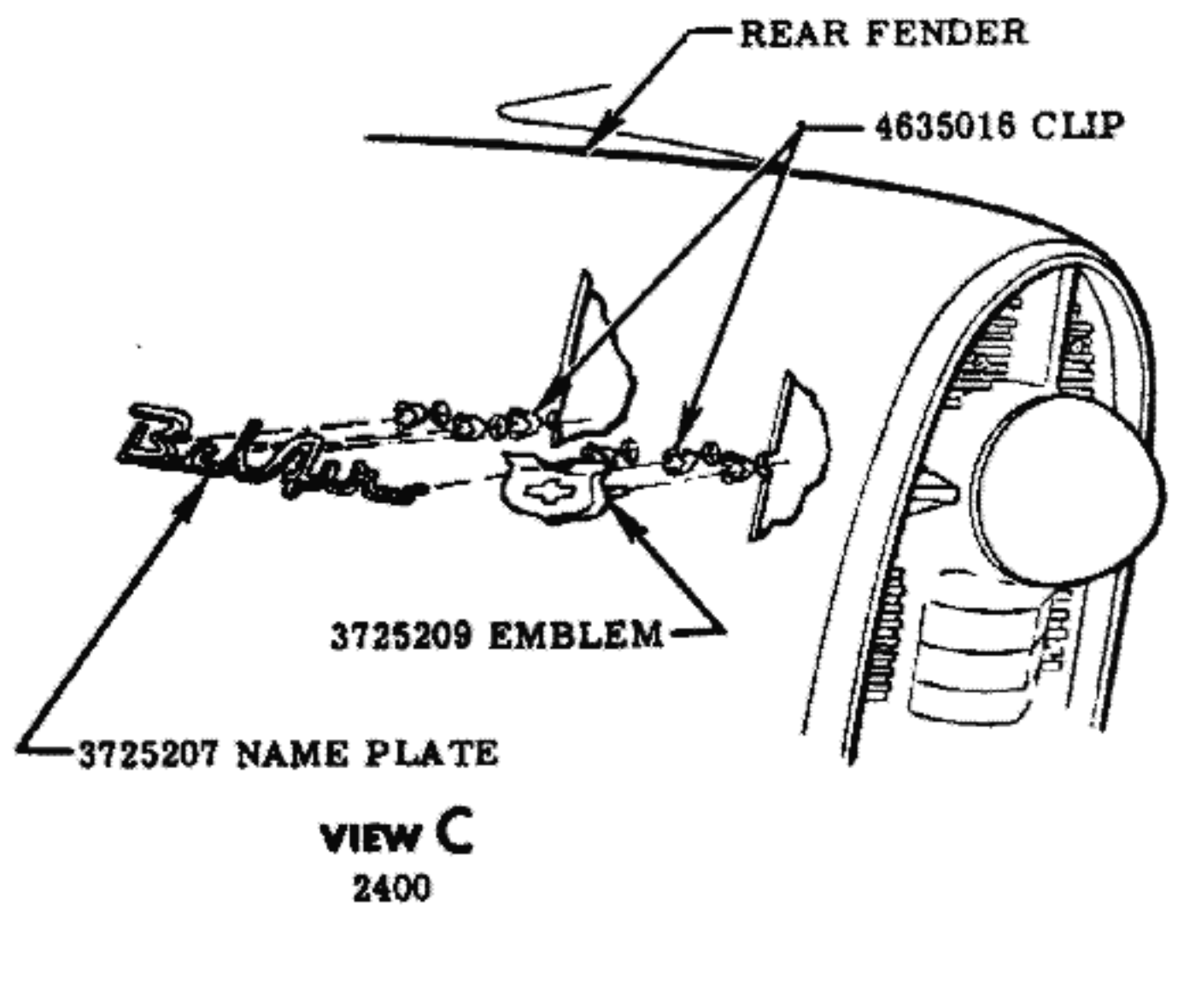
MODELS
 2400

BODY MOULDING

					NAME PASSENGER CAR INSTRUCTION MANUAL				
					REF.	DRAWN	CHECKED	SECT.	SHEET
2-11-57	WAS 25-35 LBS. IN.			7935	F		F	1	14.01
11-5-56	RELEASED			5170					
DATE	SYM.	REVISION RECORD			AUTH.	DR.	CK.	DATE	PART No.
								10-4-56	3736500



VIEW B
1500-2100

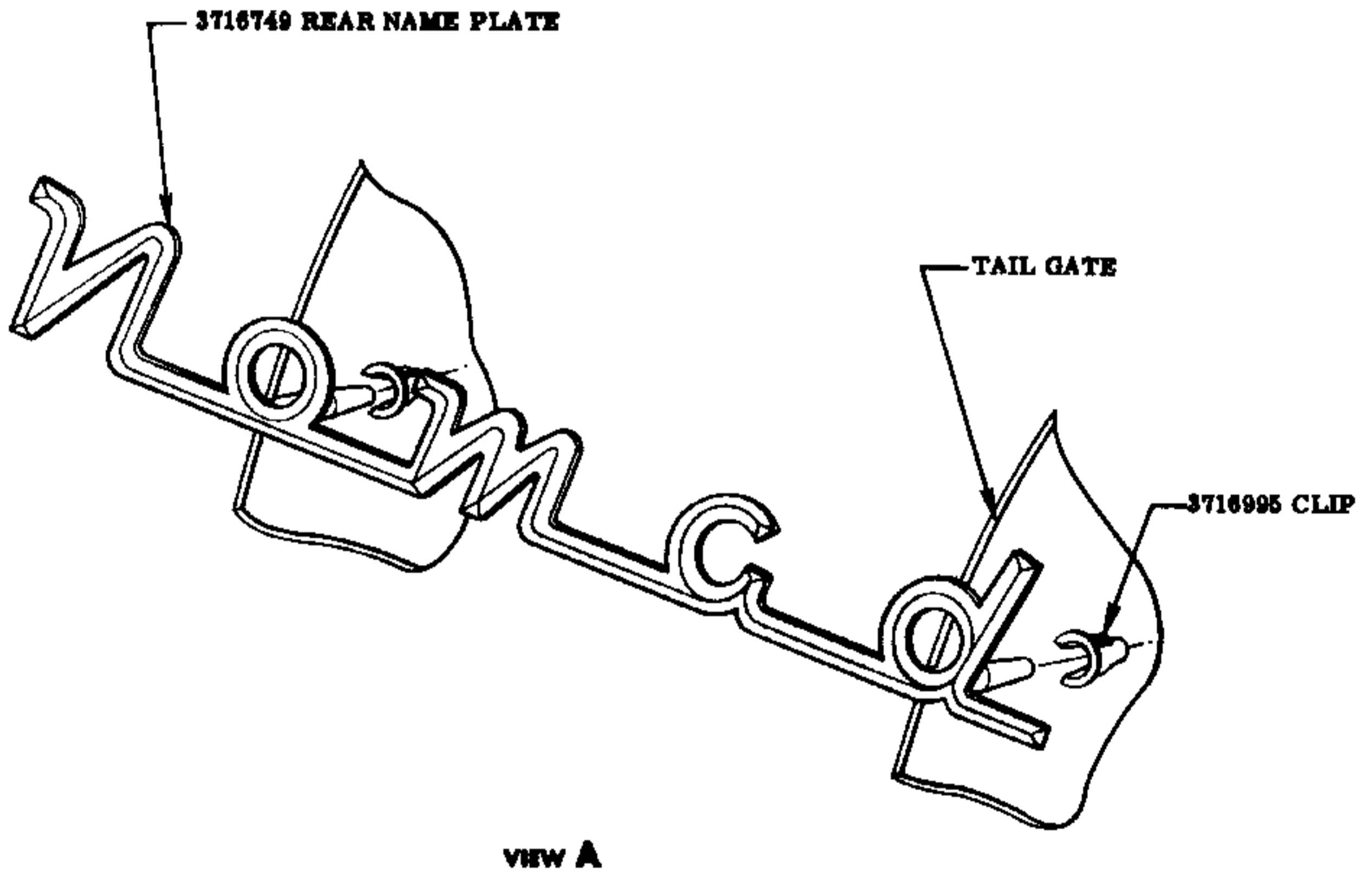
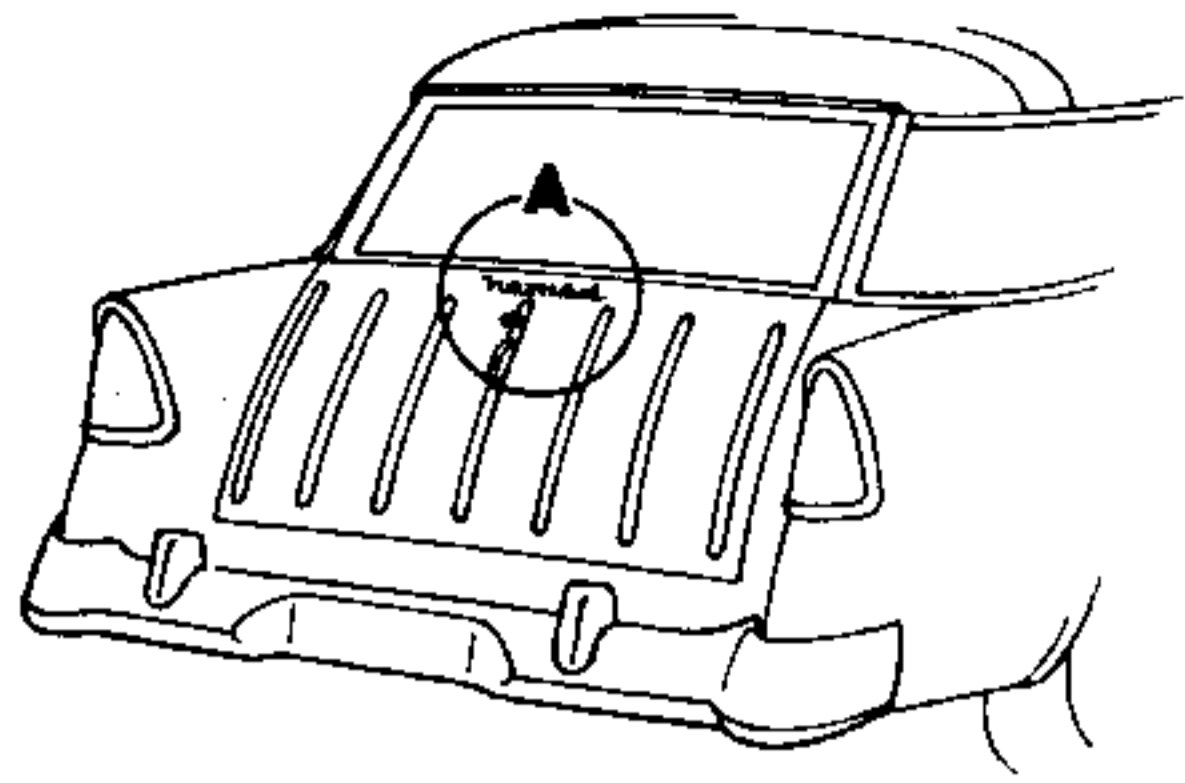


VIEW C
2400

MODELS
ALL

NAME PLATE & EMBLEM INSTRUCTION

					PASSENGER CAR INSTRUCTION MANUAL					
DATE	SYM.	REVISION RECORD	AUTH.	DR.	CK.	REF.	DRAWN	CHECKED	SECT.	SHEET
	3	VIEW D ADDED	8015		F					
	2	VIEW A REVISED						F		
11-2-55	1	WAS 3705469	3637			DATE 7-25-55	PART No. 3728600		1	15.00

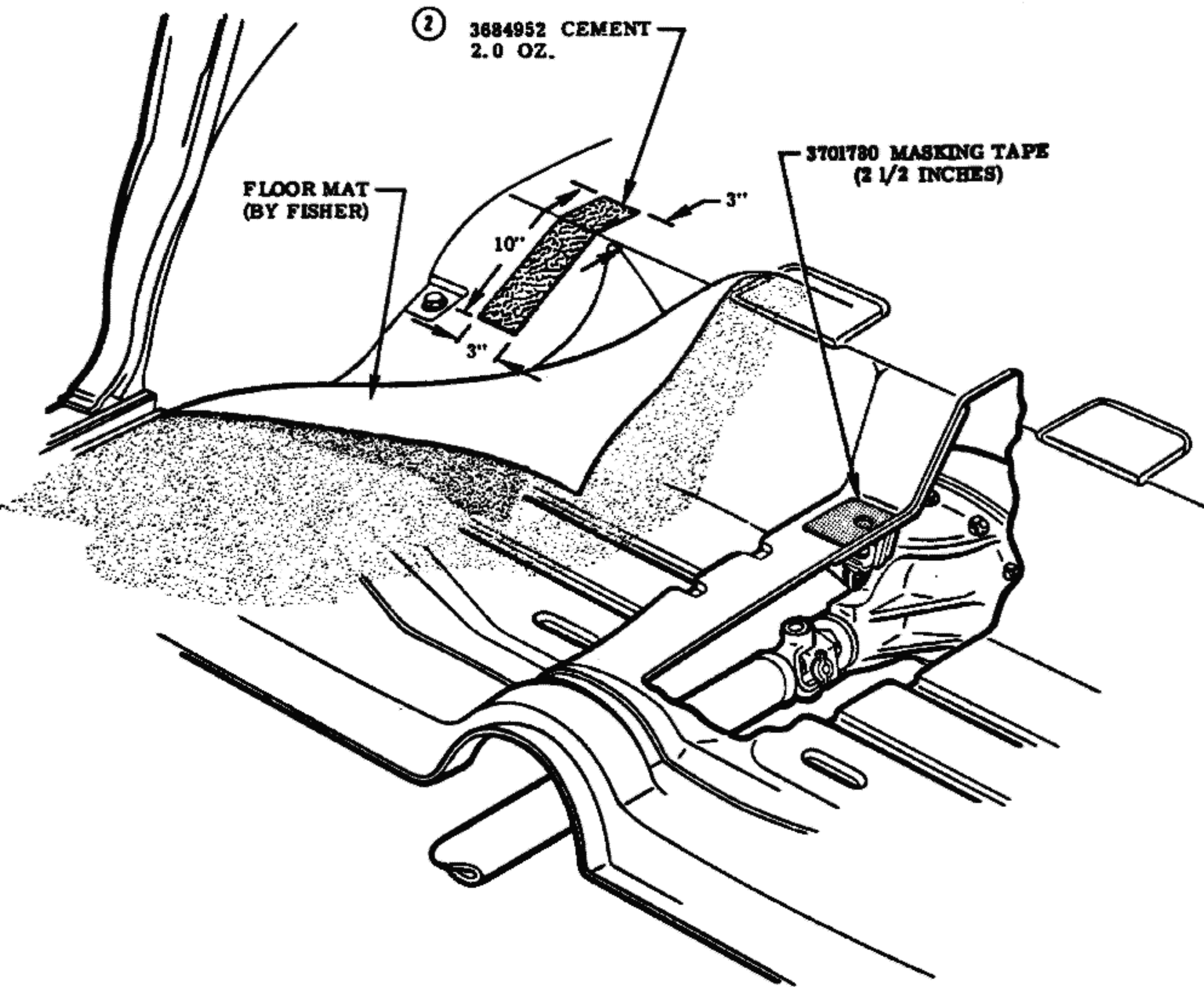


VIEW A

REAR EMBLEM INSTRUCTION

MODELS
2429

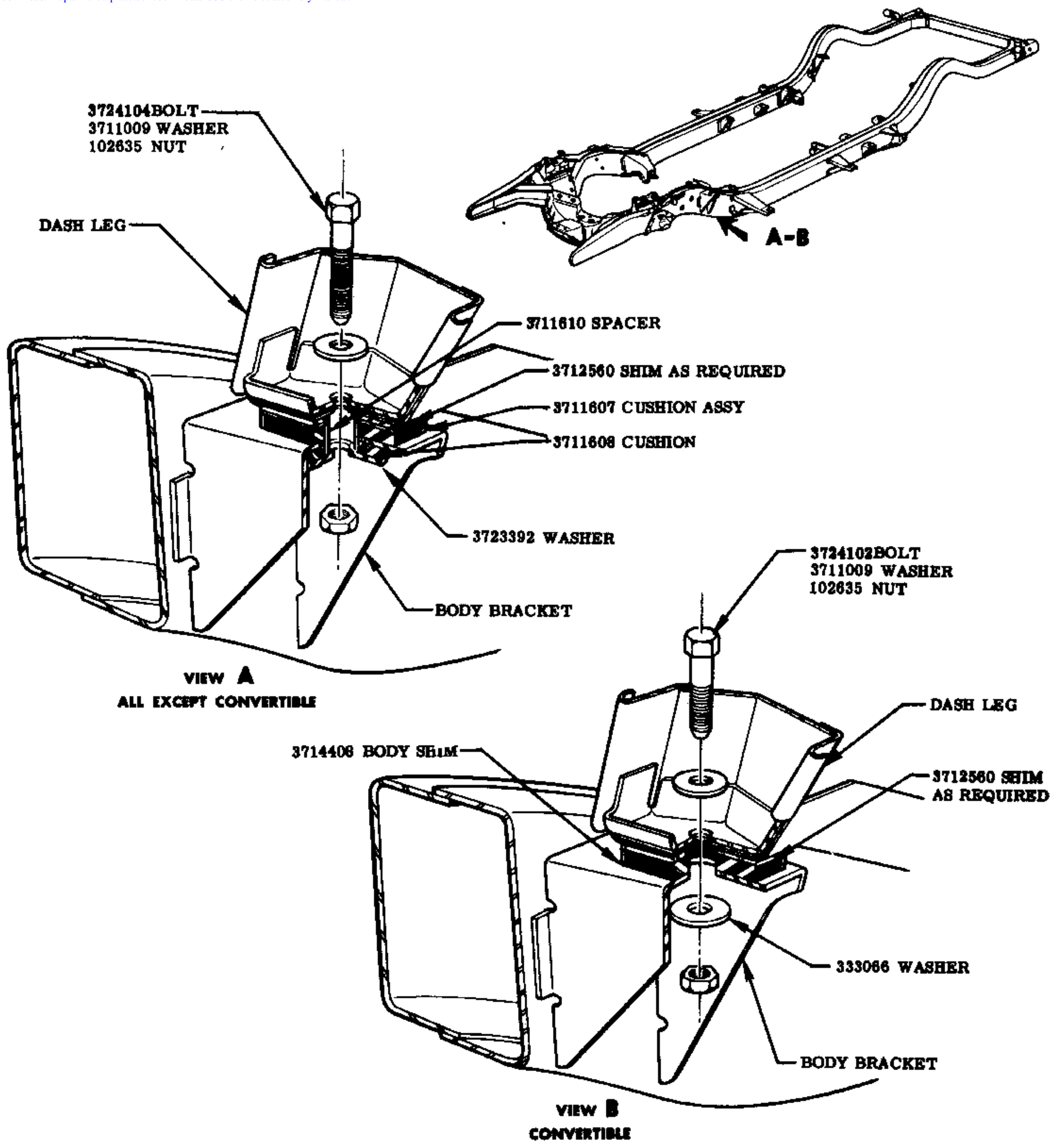
						NAME	PASSENGER CAR INSTRUCTION MANUAL			
						REF.	DRAWN	CHECKED	SECT.	SHEET
								F	1	16.00
DATE	SYM.	REVISION RECORD	AUTH.	DR.	CK.	DATE	PART No.			
						7-25-55	3726600			



③ **ACCESS HOLE MASKING & FLOOR MAT
INSTALLATION INSTRUCTION**

MODELS
9 PASSENGER STATION
WAGON

					NAME PASSENGER CAR INSTRUCTION MANUAL				
					REF.	DRAWN	CHECKED	SECT.	SHEET
							F	1	17.00
1-16-56	2	TITLE REVISED	8092		DATE	PART No.			
11-31-55	1	PART ADDED		F	7-25-55	3726600			
11-31-55	1	VIEW REVISED		F					
DATE	SYM.	REVISION RECORD	AUTH.	DR.	CK.				



NO. 1 BODY MOUNTING INSTRUCTION

MODELS
ALL

						NAME	PASSENGER CAR INSTRUCTION MANUAL			
						REF.	DRAWN	CHECKED	SECT.	SHEET
								F	1	18.00
DATE	SYM.	REVISION RECORD	AUTH.	DR.	CK.	DATE	PART No.			
						7-26-55	3726600			