

**GENERAL INDEX**

**MODELS**  
ALL

						NAME PASSENGER CAR INSTRUCTION MANUAL				
						REF.	DRAWN JM	CHECKED EW	SECT.	SHEET
						DATE	PART No. 3712500		0	1.00
DATE	SYM.	REVISION RECORD	AUTH.	DR.	CK.	5-1-54				



W

- INSTRUMENT PANEL SHEET 5.00
- BRACE 6.00
- ACCESSORY HOLE COVER 7.00
- STEERING GEAR JACKET COVER 8.00
- NAME PLATE 9.00
- ASH TRAY 10.00
- TRIM PLATE

REAR SHOCK ABSORBER HOLE COVER SHEET 4.00

BODY SHIM SHEET 25.00

NO. 6 BODY MOUNTING SHEET 24.00

REAR EMBLEM SHEET 14.00 ALL EXCEPT NOMAD SHEET 14.01 NOMAD

WINDSHIELD WIPER SHEET 13.00

COWL VENTILATOR SHEET 12.00

DASH AND TOE PANEL HOLE LOCATION SHEET 2.00 LD SHEET 2.01 RD DASH PANEL MAT SHEET 3.00

DASH PANEL HEATER HOLE COVER SHEET 11.00

NO. 5A BODY MOUNTING SHEET 27.00 CONVERTIBLE

NO. 5 BODY MOUNTING SHEET 23.00

NO. 4 BODY MOUNTING SHEET 22.00

NO. 3A BODY MOUNTING SHEET 21.00 SPORT COUPE SHEET 21.01 CONVERTIBLE

NO. 3 OUTER BODY MOUNTING SHEET 20.00

NO. 3 INNER BODY MOUNTING SHEET 19.00

NO. 2 OUTER BODY MOUNTING SHEET 18.00

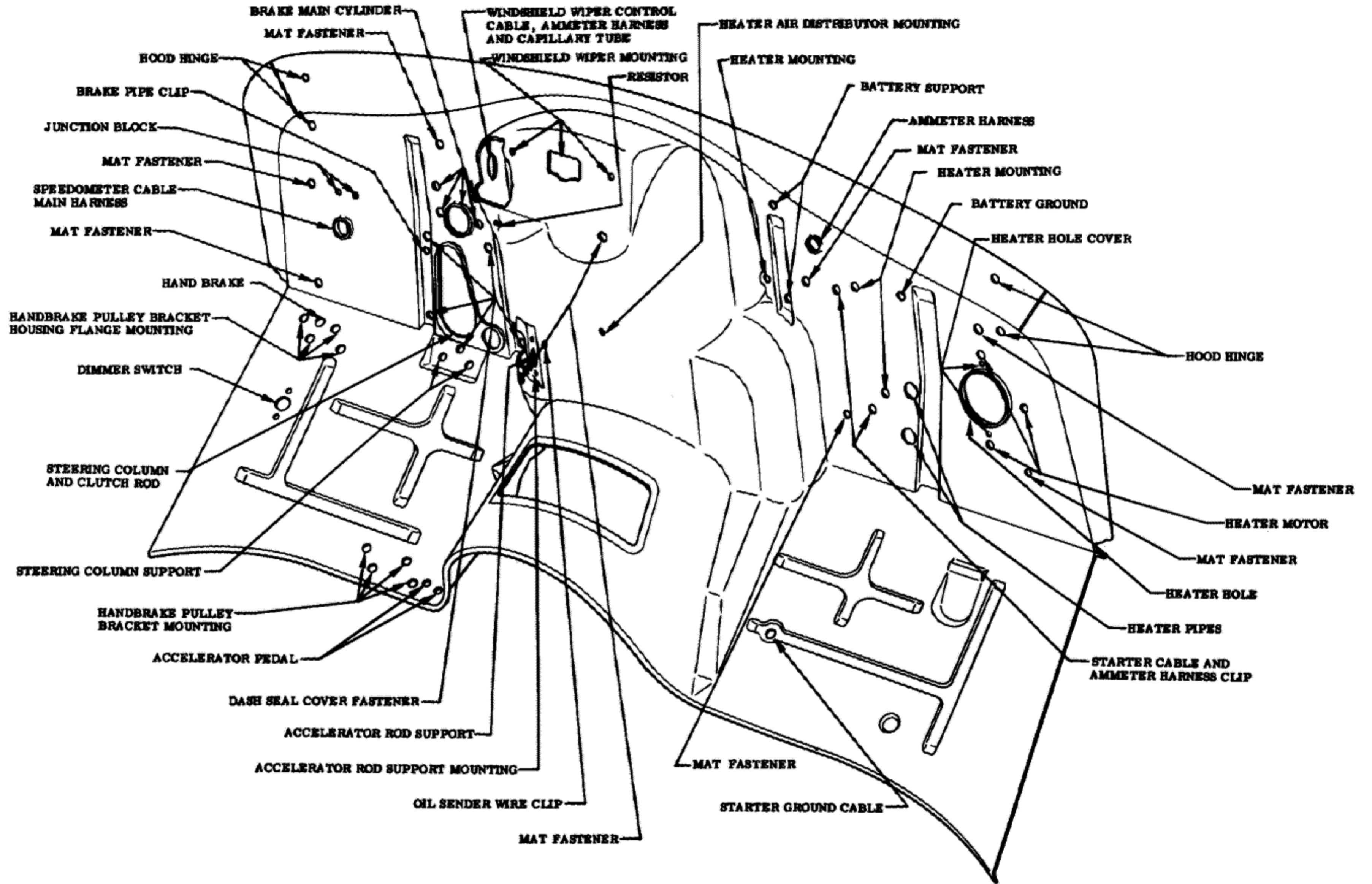
NO. 2 INNER BODY MOUNTING & GAUGE HOLE INSTRUCTION SHEET 17.00

NO. 1 BODY MOUNTING SHEET 16.00

- 9 BODY SHIM HOLDING INSTRUCTION SHEET 27.01
- BODY MOUNTING CHECKING DIMENSIONS INSTRUCTION SHEET 28.00
- BODY INSTRUCTION

MODELS ALL

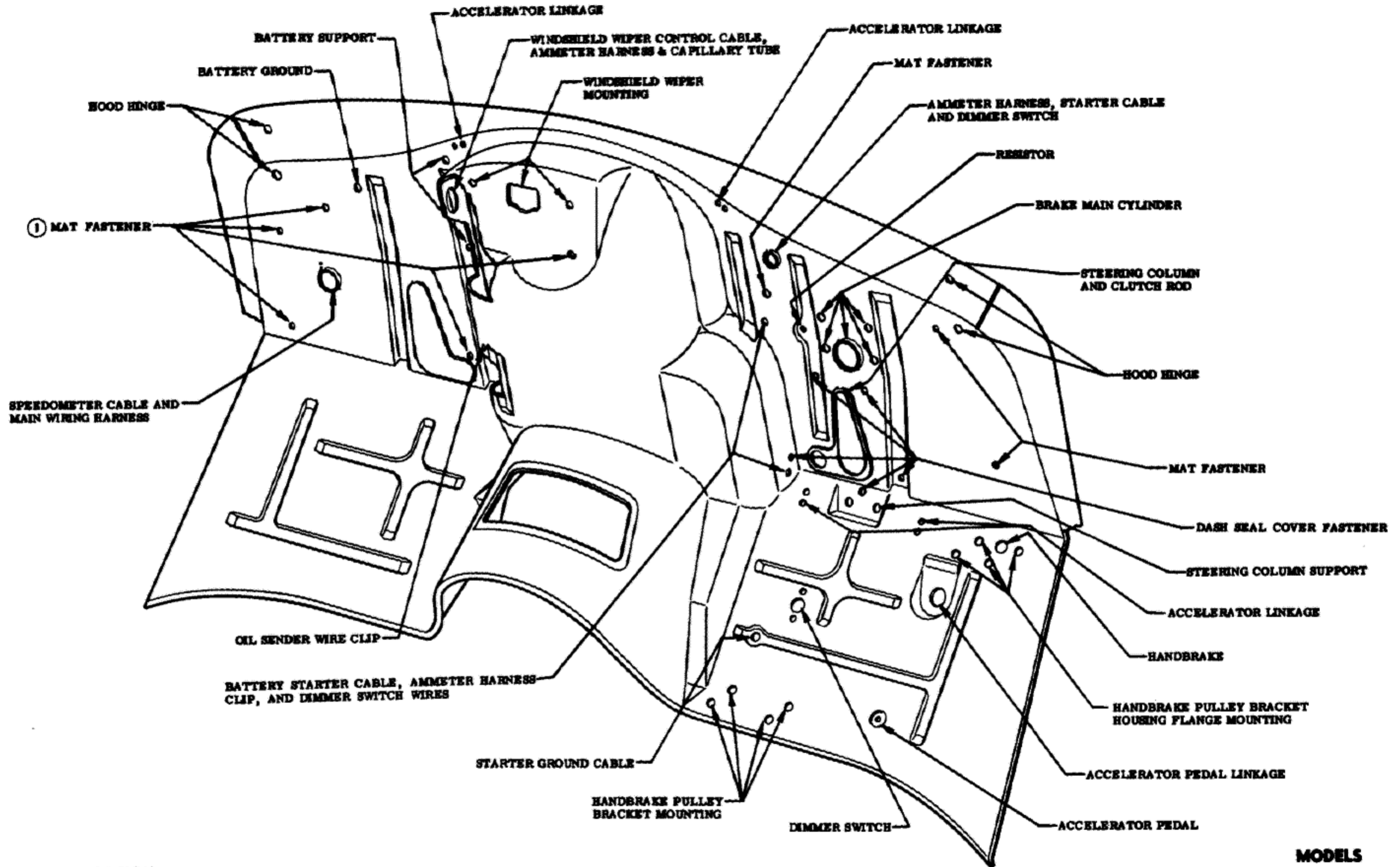
PASSENGER CAR INSTRUCTION MANUAL										
DATE	SYM.	REVISION RECORD	AUTH.	DR.	CL.	NAME	DRAWN	CHECKED	SECT.	SHEET
9-14-53	10	OUTER ADDED				F	JM	GB	1	1.00
	9	NOTE ADDED	1983							
	8	NOTE REVISED				GB				
10-8-54	7	REDRAWN	4943							
						DATE	PART No.			
						7-1-54	3712500			



**DASH & TOE PANEL HOLE LOCATION INSTRUCTION**

**MODELS ALL LD**

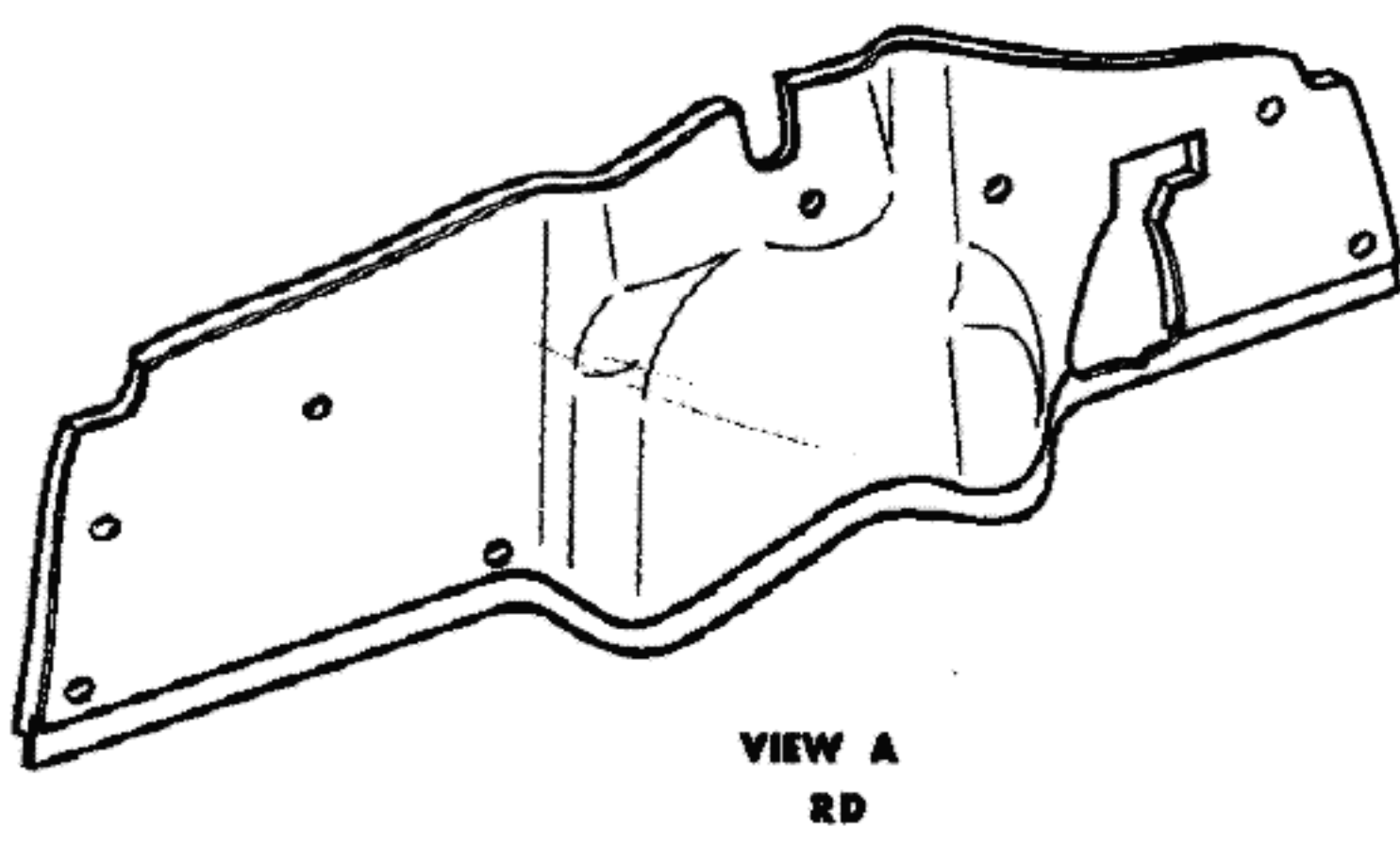
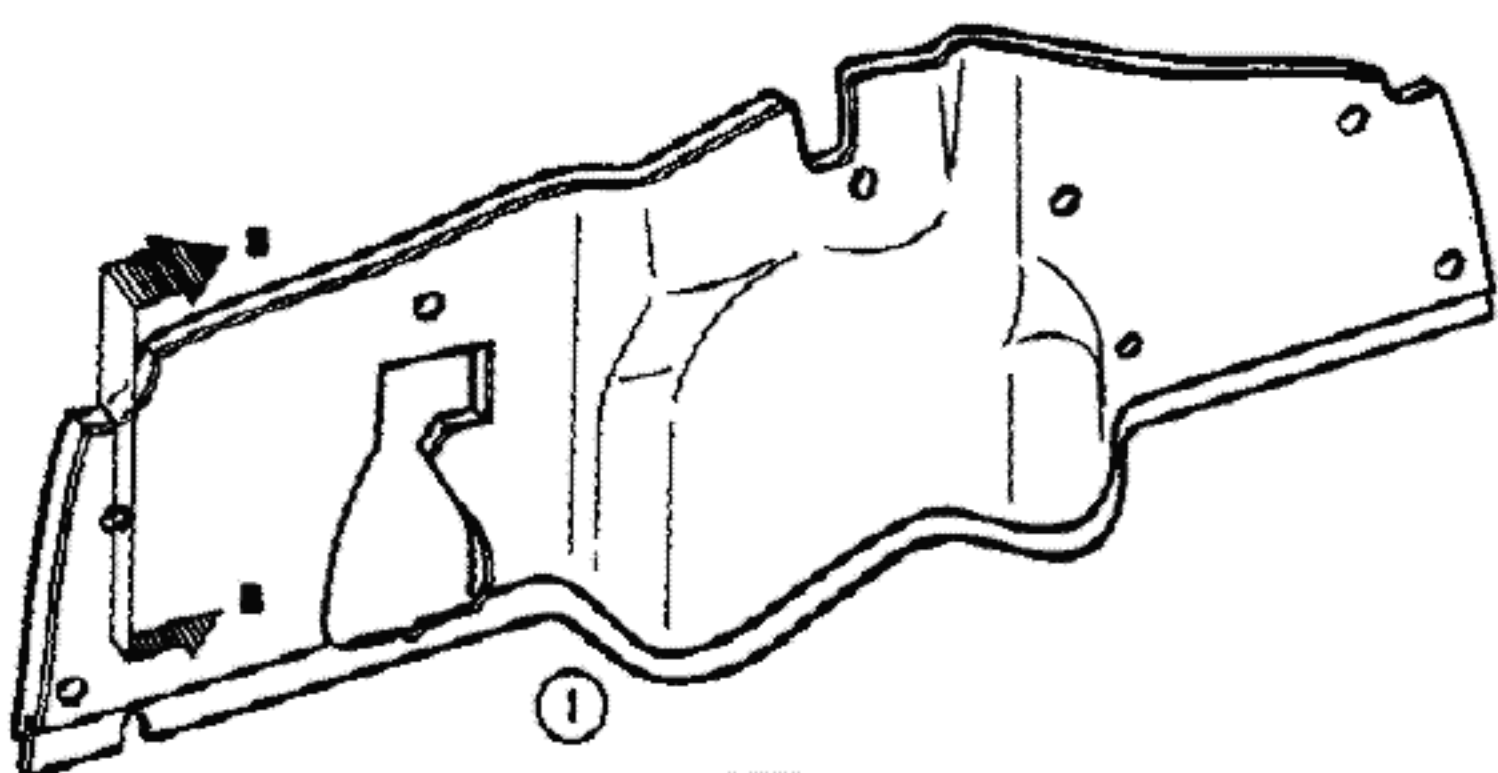
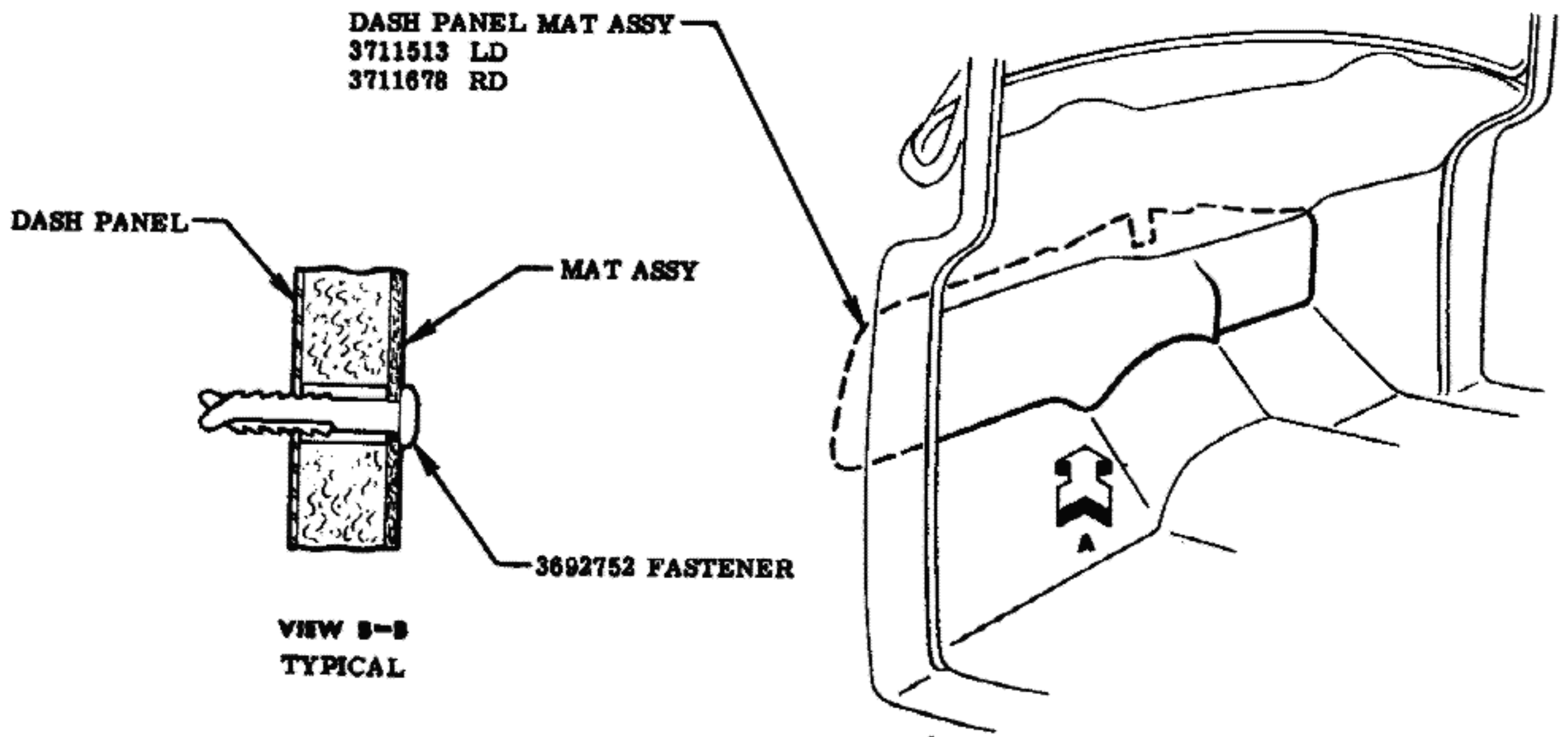
					NAME PASSENGER CAR INSTRUCTION MANUAL				
					REF.	DRAWN JM	CHECKED GB	SECT. 1	SHEET 2.00
					DATE 7-1-54	PART No. 3712500			
DATE	SYM.	REVISION RECORD	AUTH.	DR.	CK.				



MODELS  
ALL RD

DASH & TOE PANEL HOLE LOCATION  
INSTRUCTION

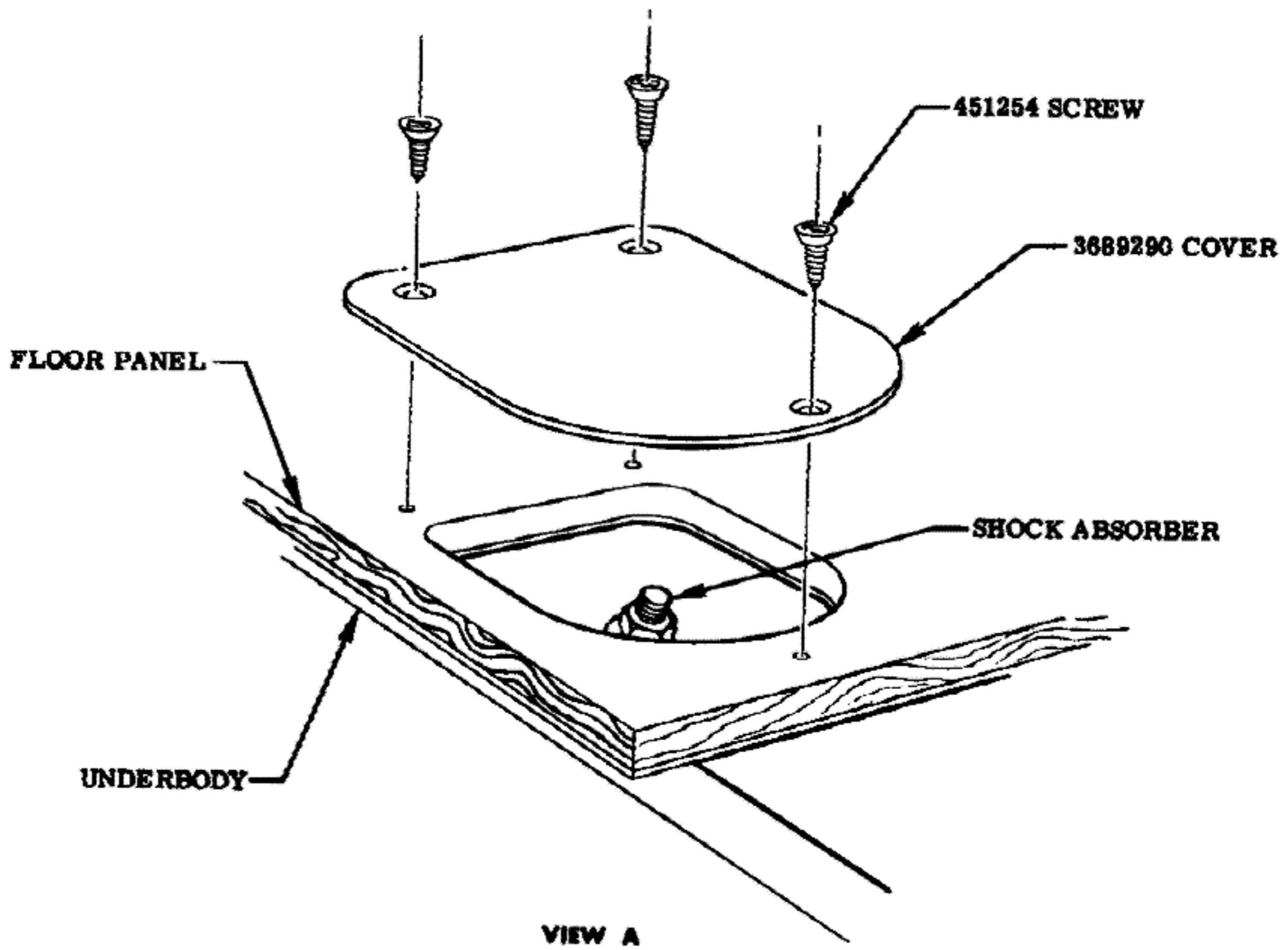
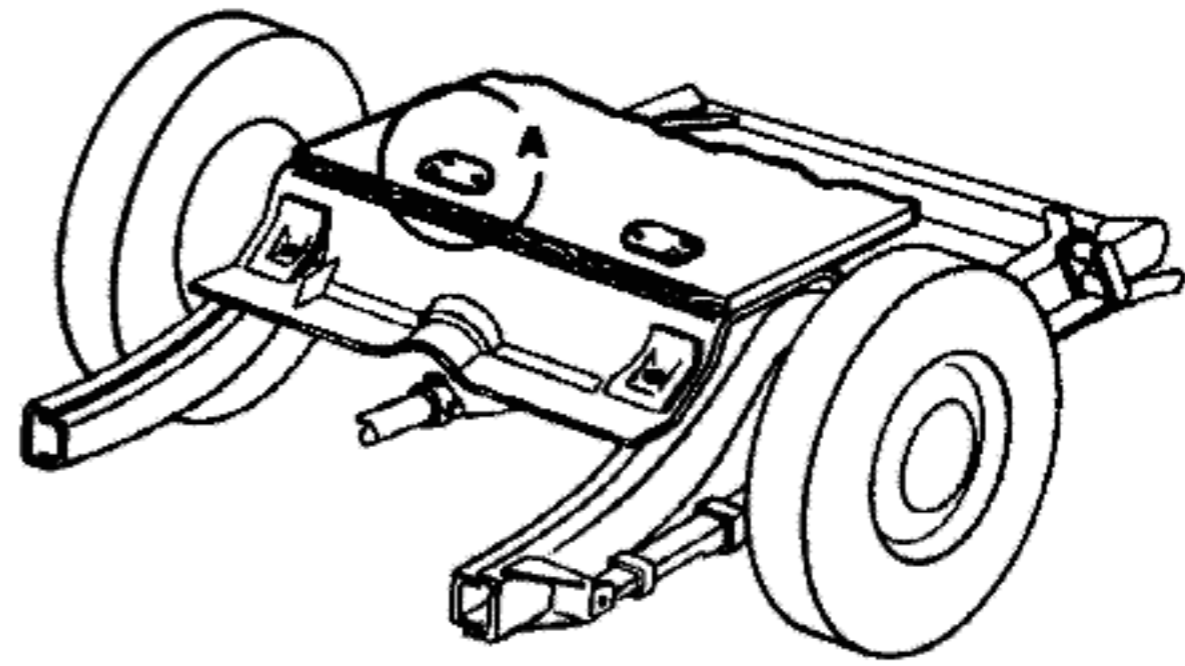
						NAME PASSENGER CAR INSTRUCTION MANUAL				
						REF.	DRAWN JM	CHECKED GB	SECT. 1	SHEET 2.01
						DATE 7-1-54	PART No. 3712500			
DATE	SYM.	REVISION RECORD	AUTH.	DR.	CL.					



**MODELS**  
ALL

**DASH PANEL MAT INSTRUCTION**

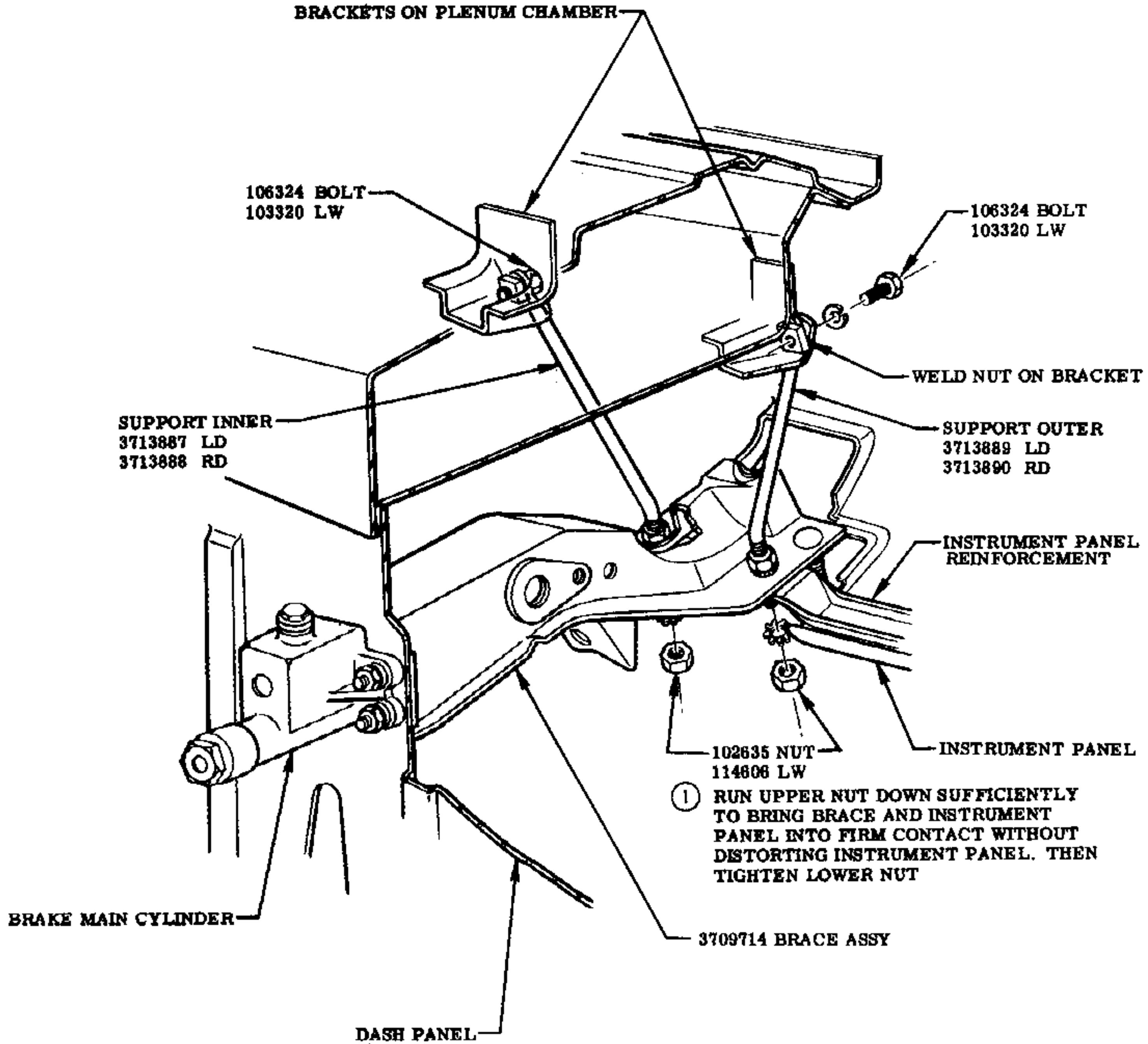
					NAME PASSENGER CAR INSTRUCTION MANUAL				
					REF.	DRAWN JM	CHECKED GB	SECT.	SHEET
9-20-54	1	HOLE REMOVED	3850	GB	DATE	PART No.	1	3.00	
DATE	SYM.	REVISION RECORD	AUTH.	DR.	CK.	7-1-54			3712500



**REAR SHOCK ABSORBER HOLE COVER INSTRUCTION**

**MODELS**  
 SEDAN DELIVERY  
 AND STATION WAGON

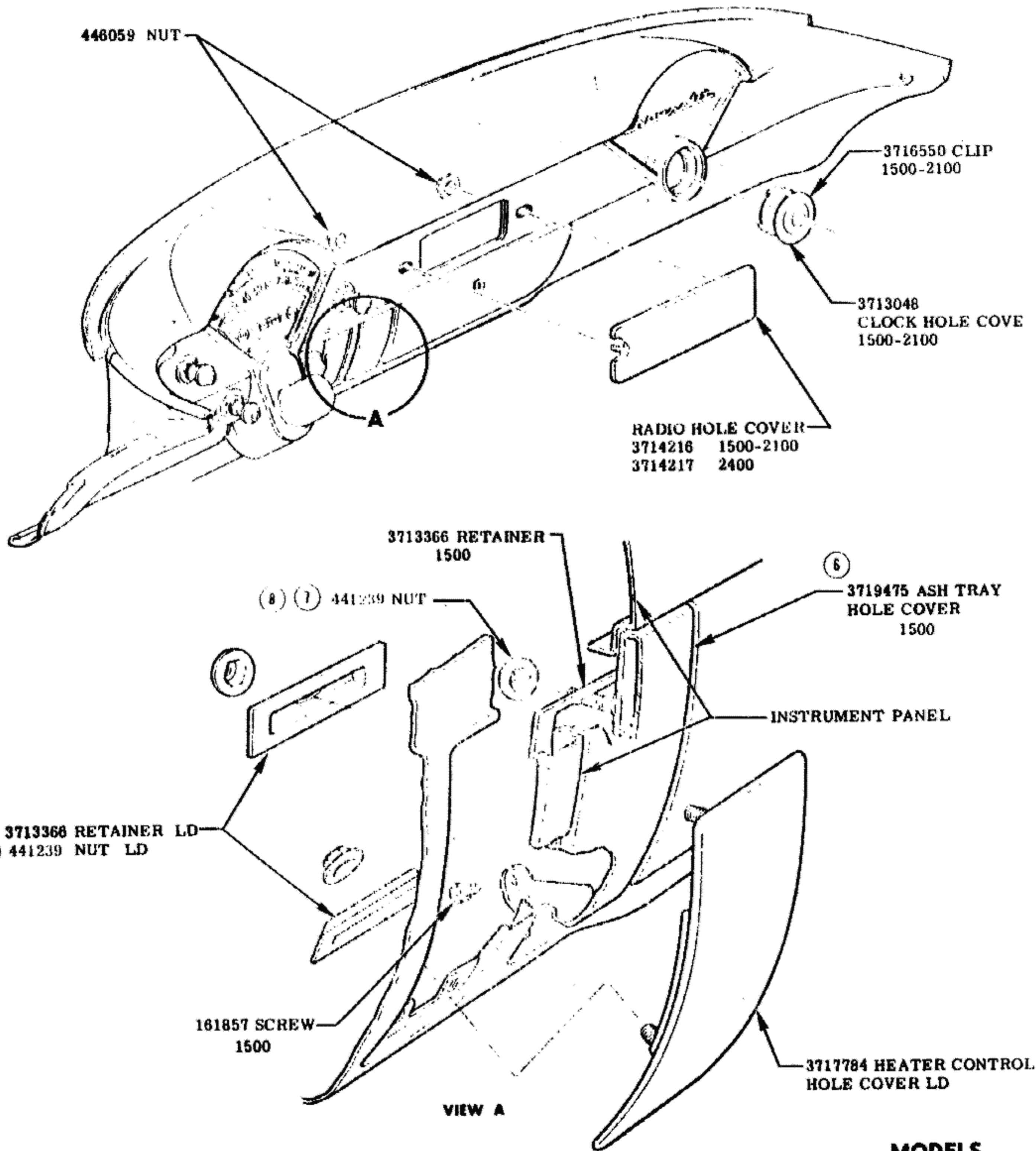
						NAME	PASSENGER CAR INSTRUCTION MANUAL			
						REF.	DRAWN JM	CHECKED GB	SECT.	SHEET
						DATE	PART No.		1	4.00
DATE	SYM.	REVISION RECORD	AUTH.	DR.	CK.	5-1-54	3712500			



**INSTRUMENT PANEL BRACE INSTRUCTION**

**MODELS**  
ALL

					NAME PASSENGER CAR INSTRUCTION MANUAL				
					REF.	DRAWN JM	CHECKED EW	SECT.	SHEET
7-23-54	1	NOTE ADDED	308C	GB	DATE	PART No.		1	5.00
DATE	SYM.	REVISION RECORD	AUTH.	DR. CK.	5-1-54	3712500			

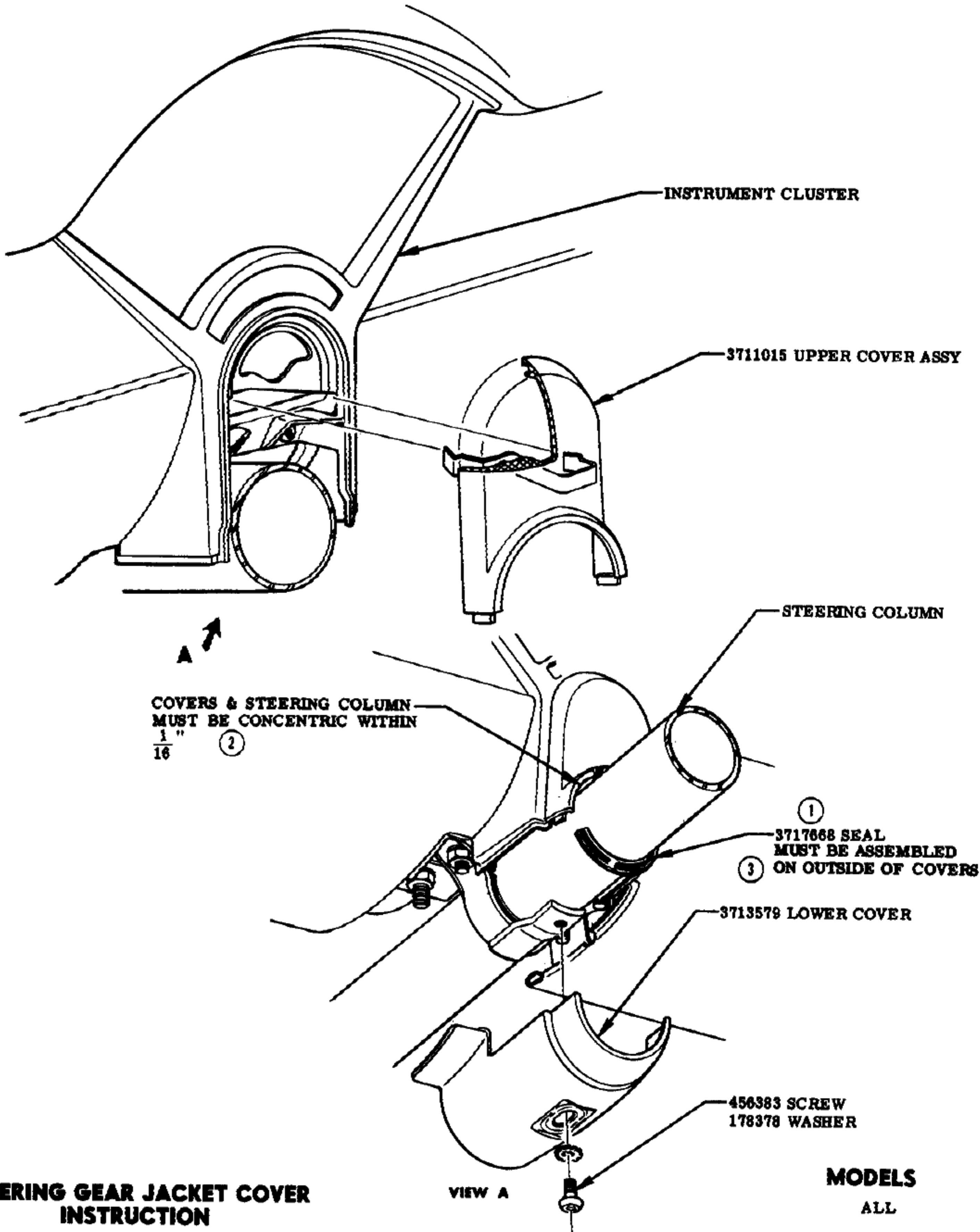


**MODELS**  
ALL

**INSTRUMENT PANEL ACCESSORY HOLE COVER INSTRUCTION**

		9	WAS 446059	1337	F	NAME PASSENGER CAR INSTRUCTION MANUAL				
5-17-55		8	WAS 446059			REF.	DRAWN JM	CHECKED EW	SECT.	SHEET
		7	WAS 161857 SCREW		GB				1	6.00
		6	WAS 3713366							
10-4-54		5	REDRAWN	4064		DATE	PART No.	3712500		
DATE	SYM.	REVISION RECORD		AUTH.	DR.	CK.	7-1-54			

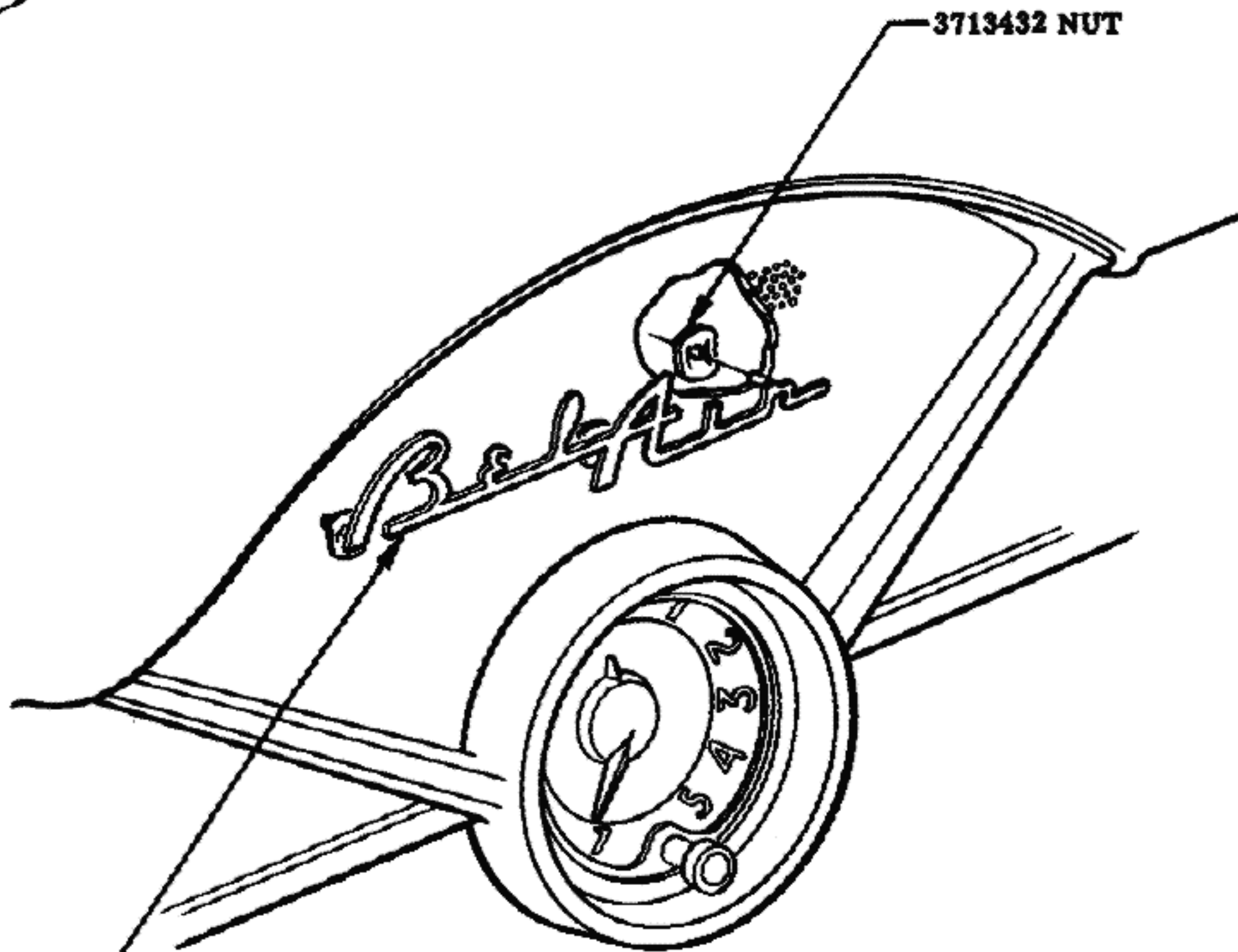
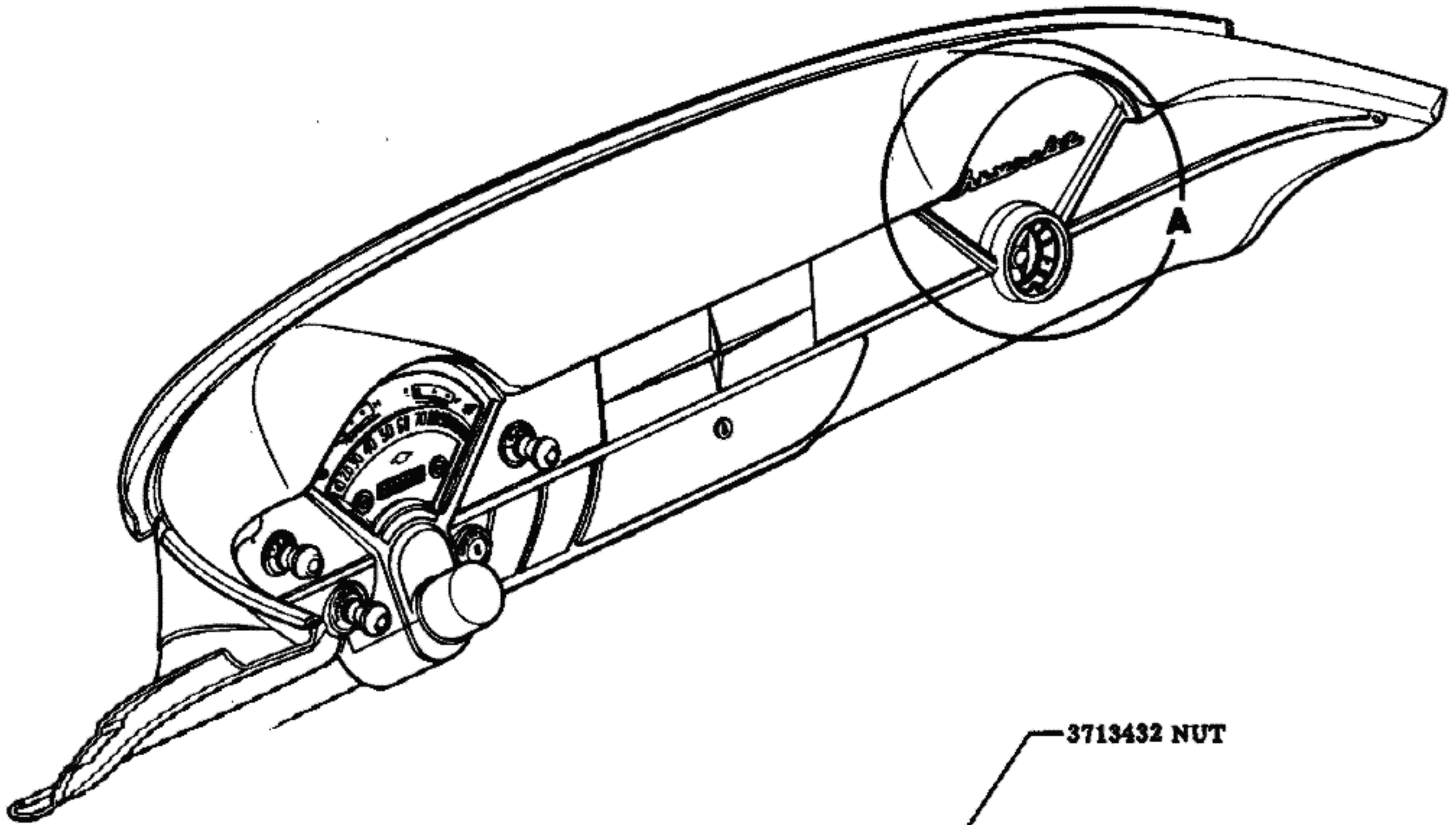




**STEERING GEAR JACKET COVER INSTRUCTION**

**MODELS**  
ALL

					NAME PASSENGER CAR INSTRUCTION MANUAL				
10-20-54	3	NOTE ADDED	5372	GB	REF.	DRAWN JM	CHECKED EW	SECT.	SHEET
	2	NOTE ADDED	3080	GB					
7-23-54	1	3717668 ADDED	2858		DATE 5-1-54	PART No. 3712500		1	7.00
DATE	SYM.	REVISION RECORD	AUTH.	DR.	CK.				



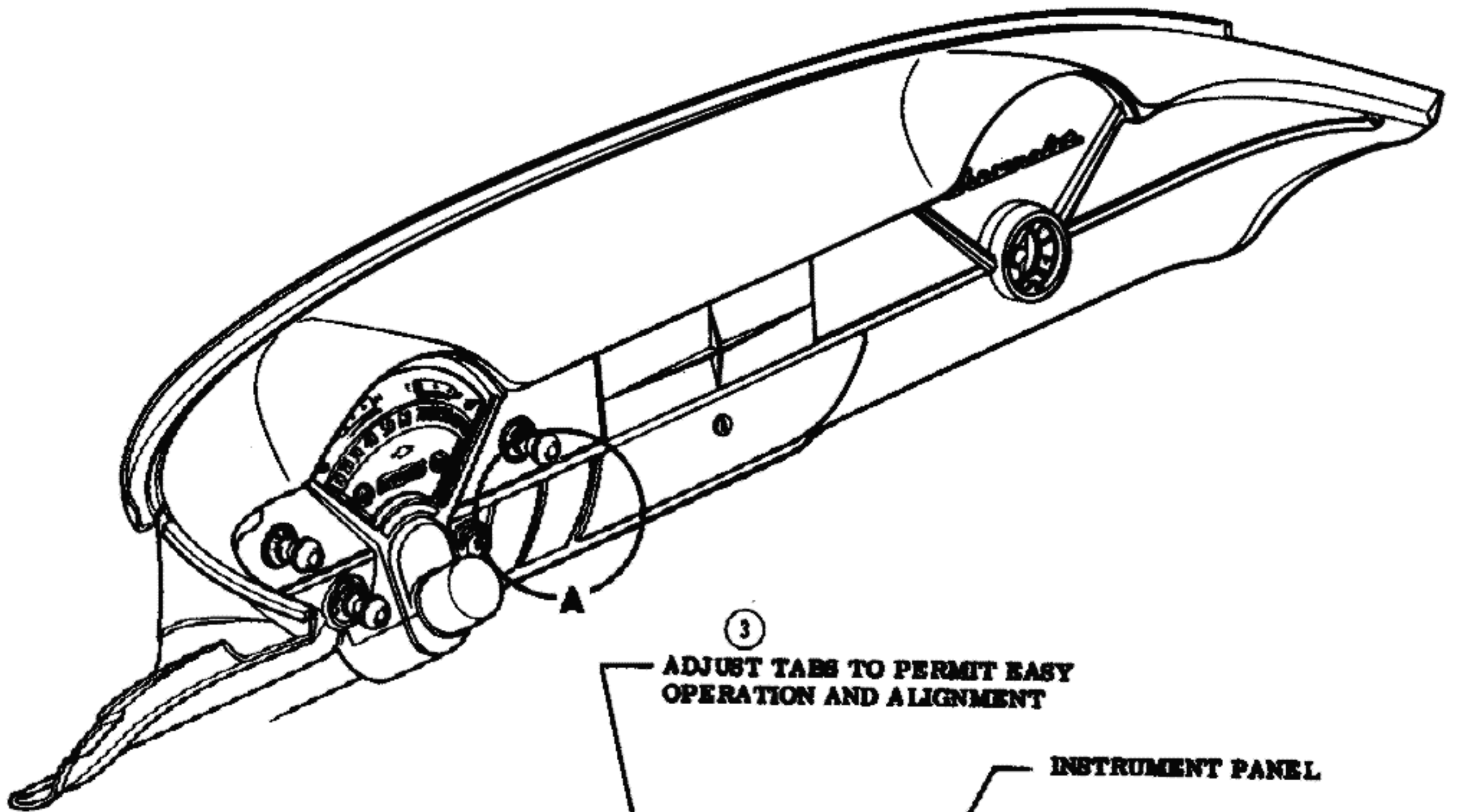
NAME PLATE  
 3711574 1500-2100 (SHOWN ABOVE)  
 3711609 2400

VIEW A

**MODELS**  
 ALL

**INSTRUMENT PANEL NAME PLATE  
 INSTRUCTION**

					NAME PASSENGER CAR INSTRUCTION MANUAL				
					REF.	DRAWN JM	CHECKED EW	SECT.	SHEET
					DATE	PART No.	1		8.00
DATE	SYM.	REVISION RECORD	AUTH.	DR.	CK.	5-1-54	3712500		



3

ADJUST TABS TO PERMIT EASY OPERATION AND ALIGNMENT

INSTRUMENT PANEL

3711131 ASH TRAY ASSY

2

BRUSH LIGHTLY WITH LUBRIPLATE

3711137 RETAINER

161857 SCREW

VIEW A

1

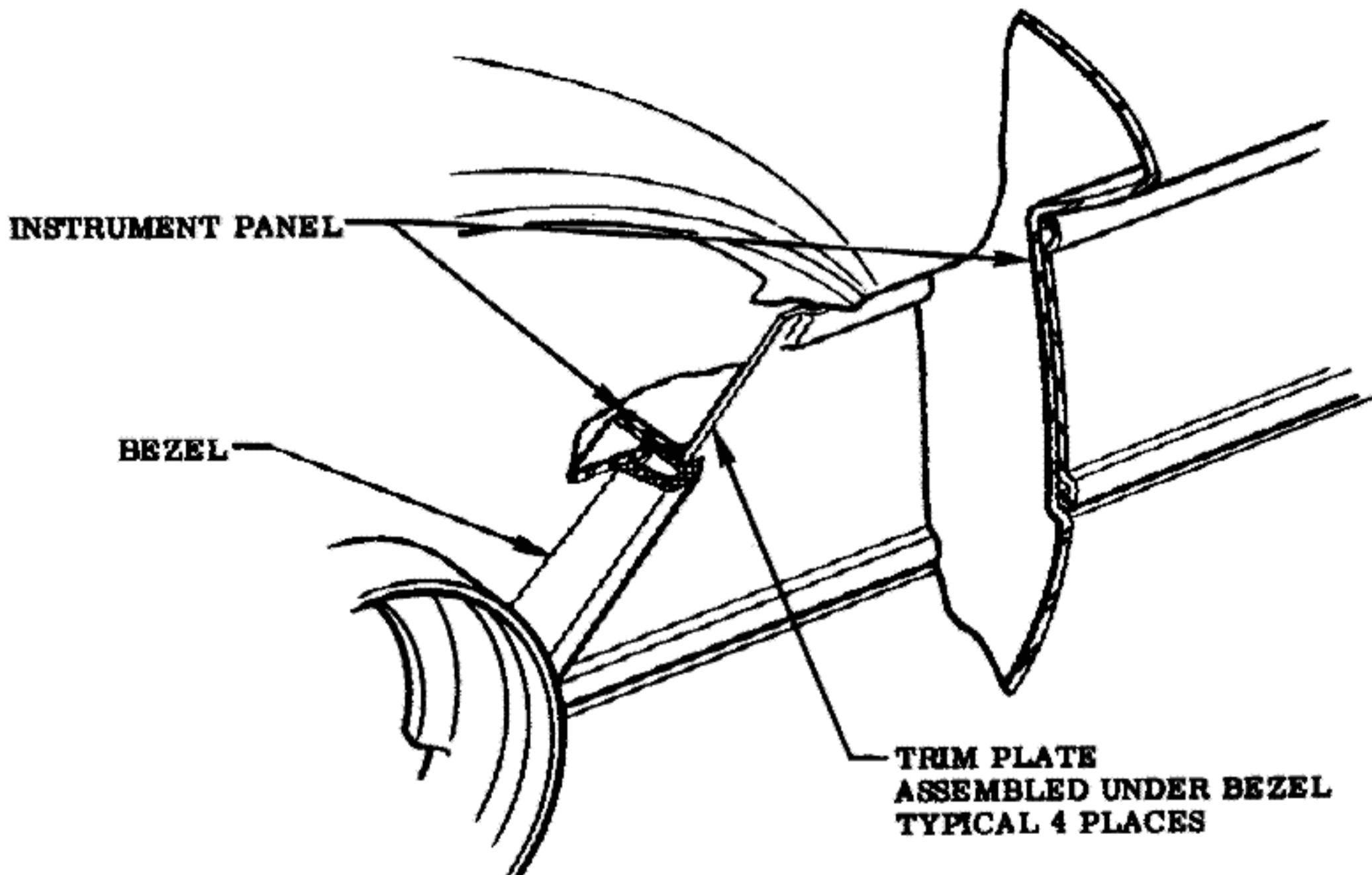
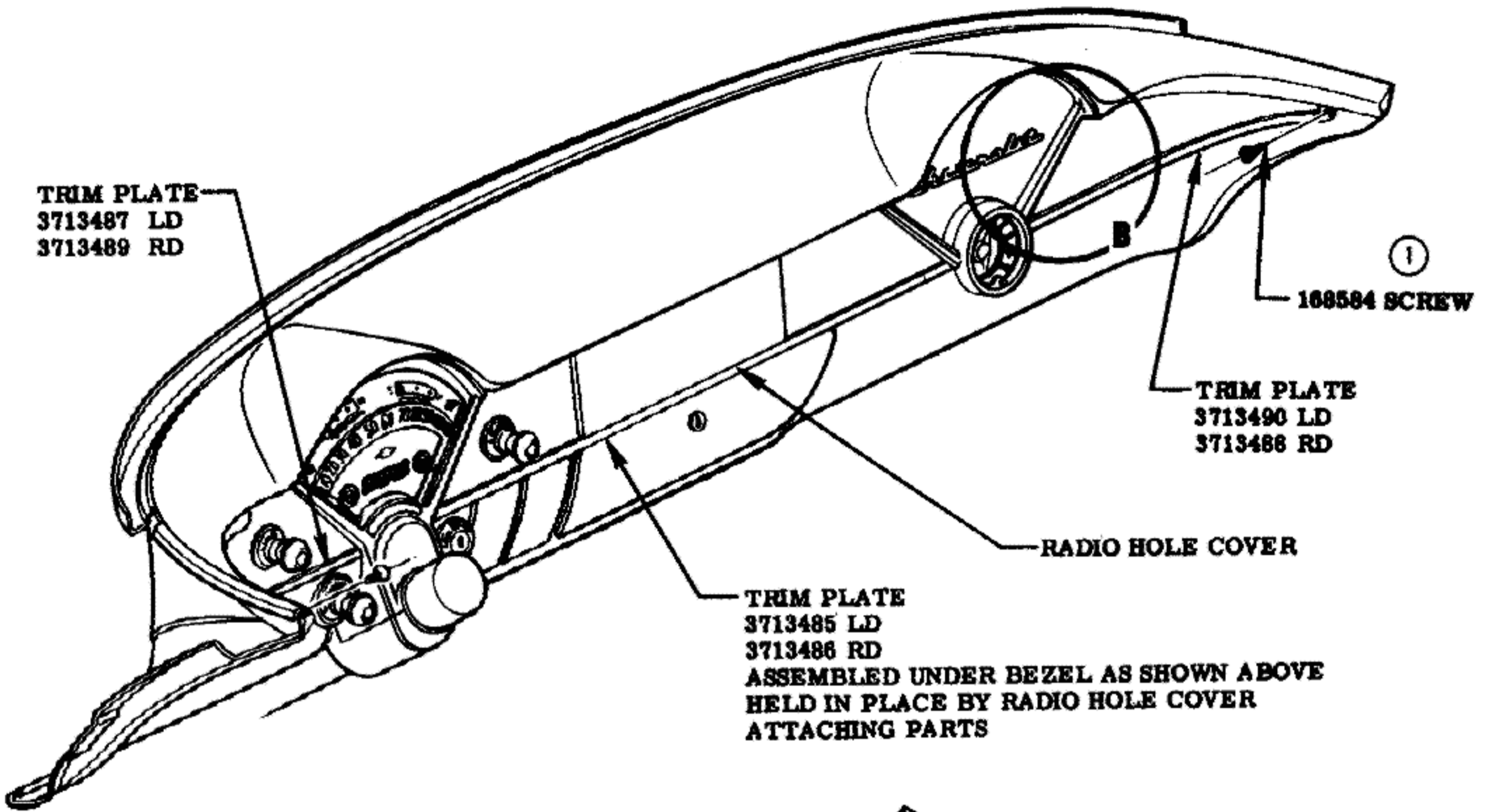
SEE LUBRICATION INSTRUCTION

**ASH TRAY INSTRUCTION**

**MODELS**

2100 - 2400

					NAME PASSENGER CAR INSTRUCTION MANUAL				
11-30-54	3	NOTE ADDED	6417	GB	REF.	DRAWN JM	CHECKED EW	SECT.	SHEET
	2	NOTE ADDED		GB					
10-30-54	1	NOTE ADDED	5074		DATE	PART No.		1	9.00
DATE	SYM.	REVISION RECORD	AUTH.	DR.	CK.	5-1-54	3712500		



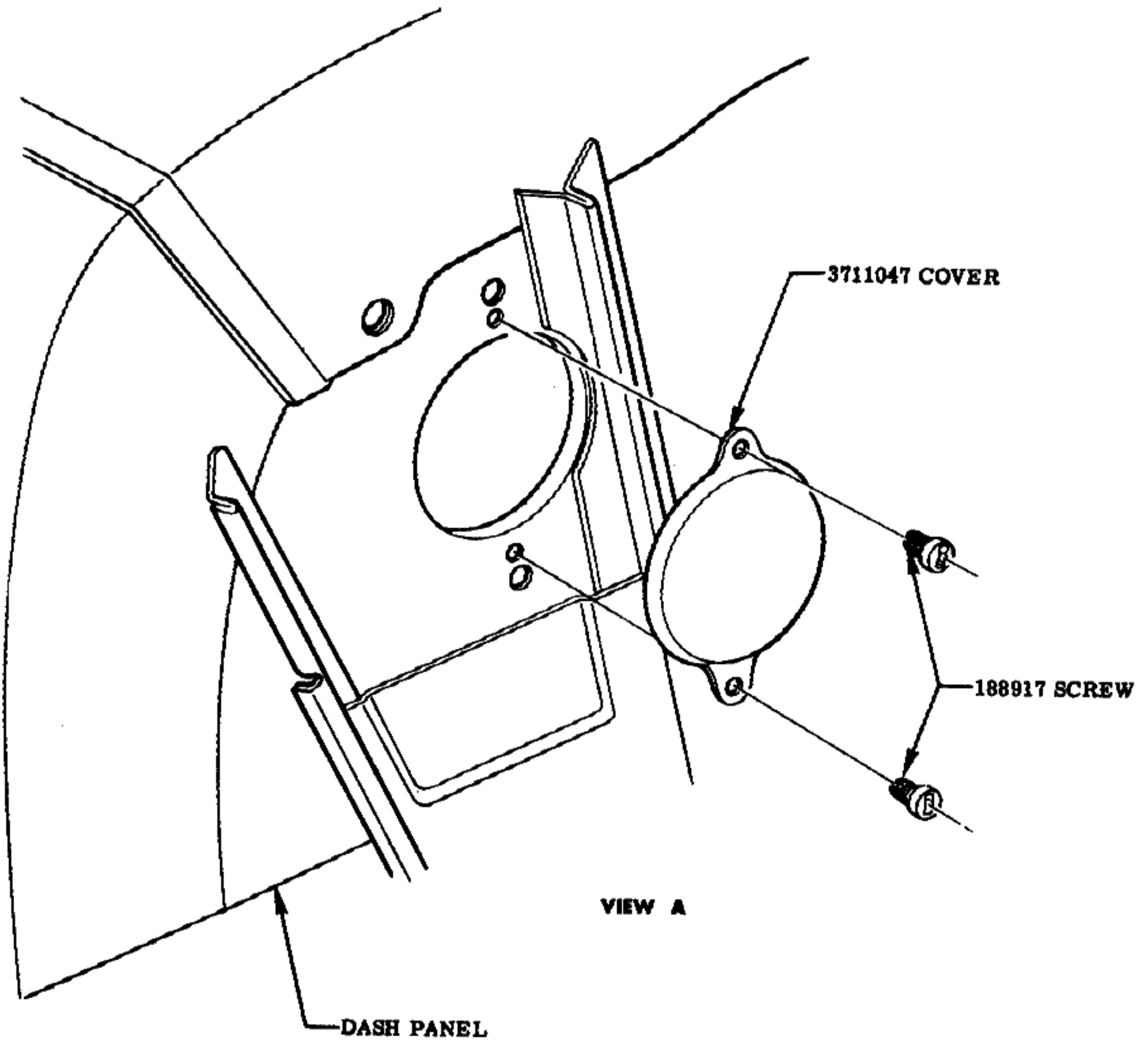
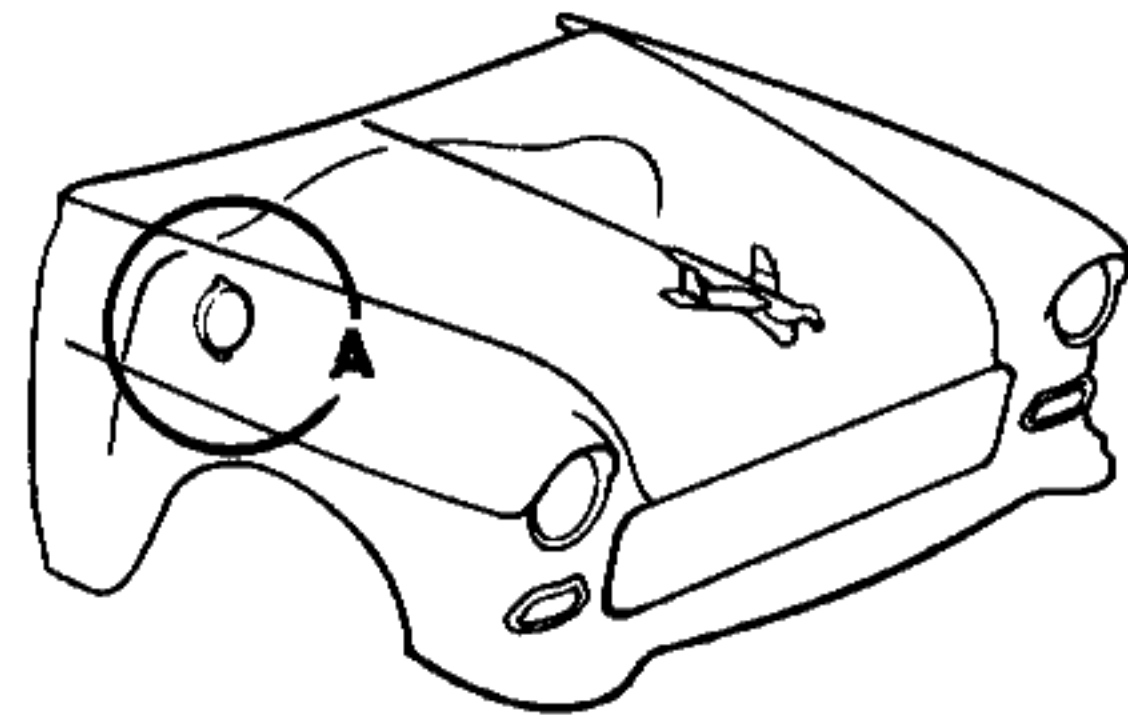
VIEW B

**INSTRUMENT PANEL TRIM PLATES  
INSTRUCTION**

**MODELS**

2400

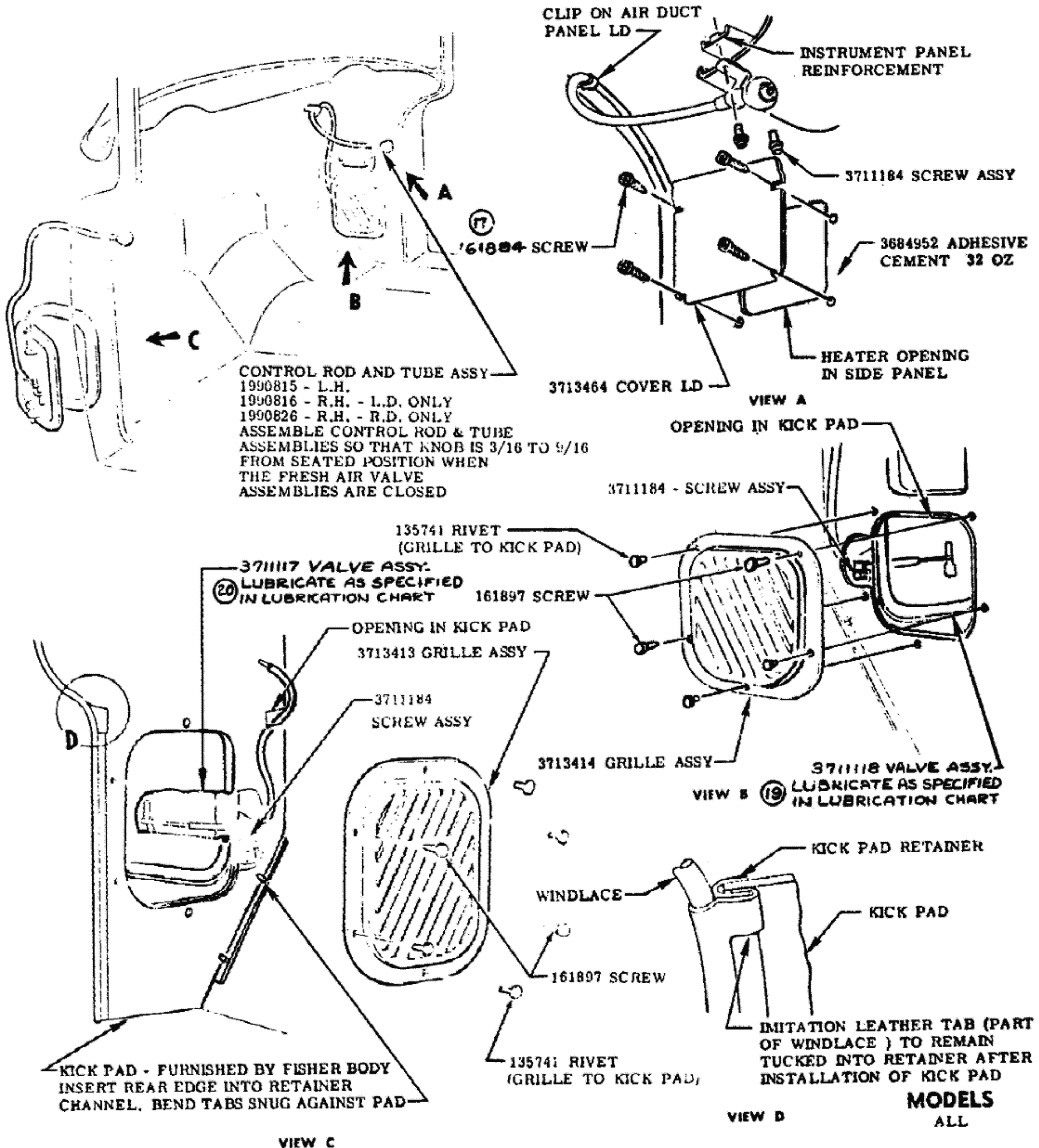
					NAME PASSENGER CAR INSTRUCTION MANUAL				
					REF.	DRAWN JM	CHECKED EW	SECT.	SHEET
11-30-54	1	WAS 148545	5503	GB	DATE 5-1-54	PART No.	3712500	1	10.00
DATE	SYM.	REVISION RECORD	AUTH.	DR. CK.					



**DASH PANEL HEATER HOLE COVER INSTRUCTION**

**MODELS**  
ALL LD

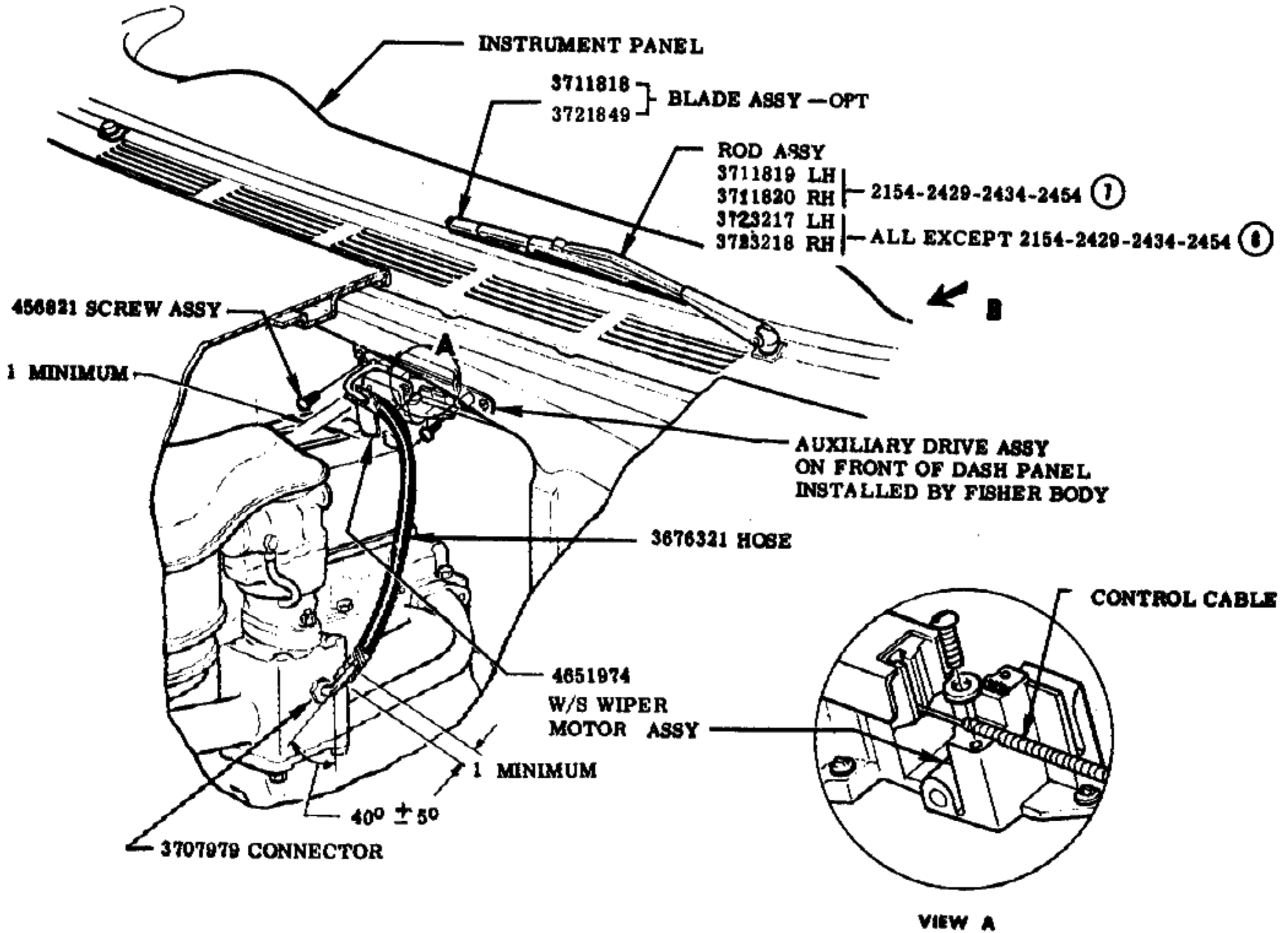
					NAME PASSENGER CAR INSTRUCTION MANUAL				
					REF.	DRAWN JM	CHECKED EW	SECT.	SHEET
					DATE 5-1-54	PART No. 3712500		1	11.00
DATE	SYM.	REVISION RECORD	AUTH.	DR.	CK.				



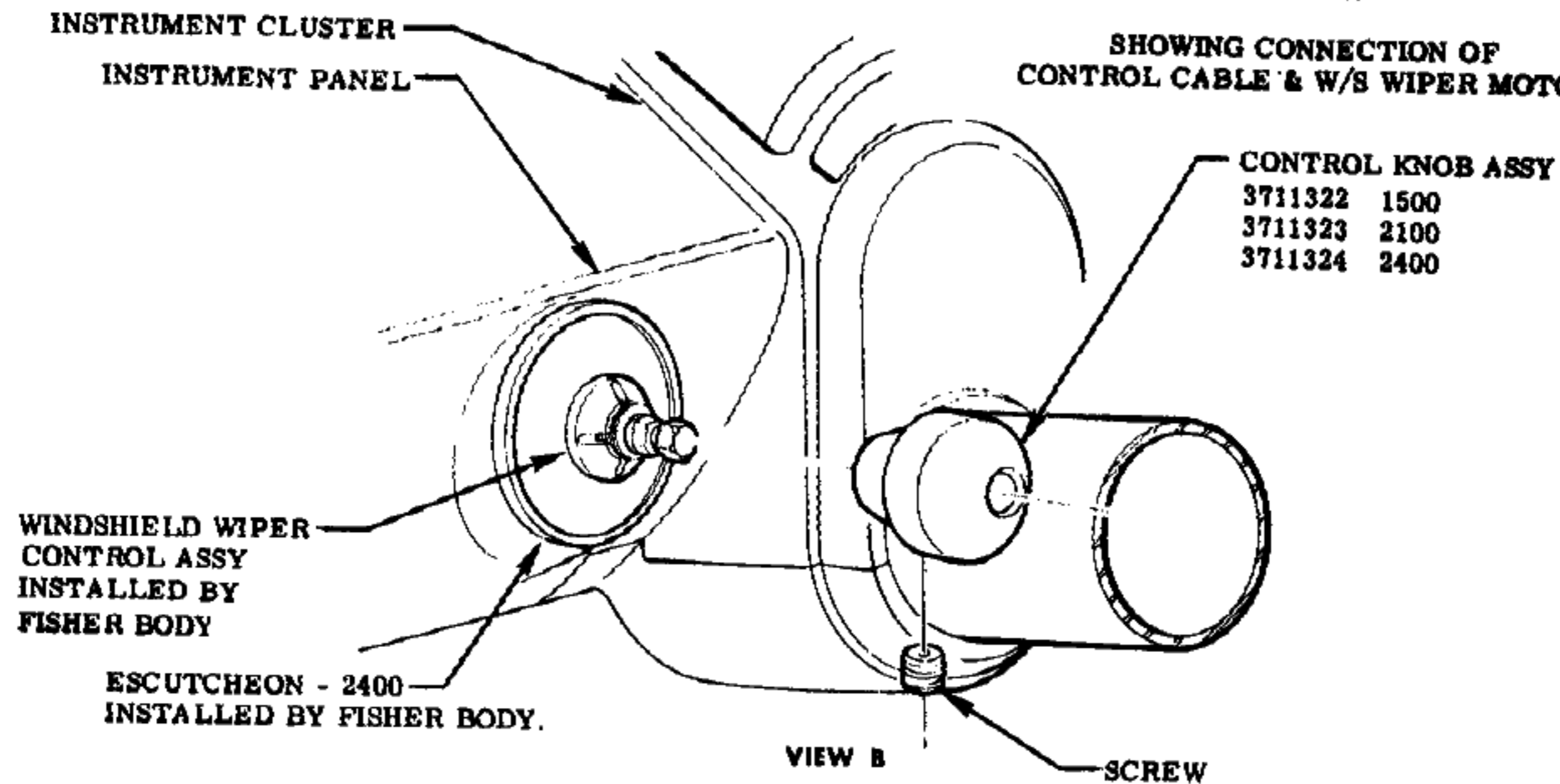
**COWL VENTILATOR INSTRUCTION**

SEE LUBRICATION INSTRUCTION 18

20	NOTE ADDED				F	NAME	PASSENGER CAR INSTRUCTION MANUAL			
19	NOTE ADDED					REF.	DRAWN	CHECKED	SECT.	SHEET
18	NOTE ADDED	32:8					JM	EW		
17	WAS 187677					DATE	PART No.		1	12.00
8-22-53	REDRAWN	1836				7-1-54	3712500			
DATE	SYM.	REVISION RECORD	AUTH.	DR.	CK.					



SHOWING CONNECTION OF CONTROL CABLE & W/S WIPER MOTOR

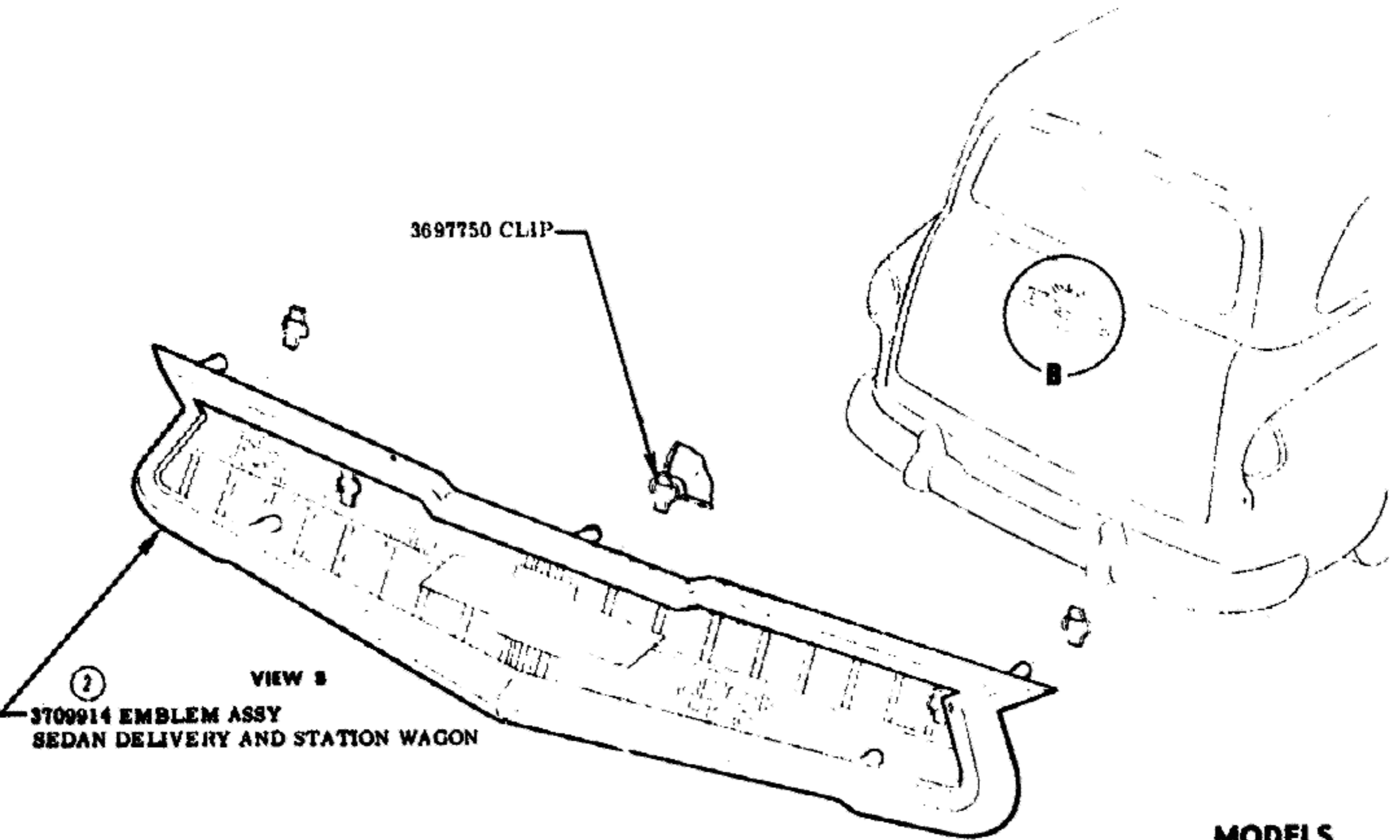
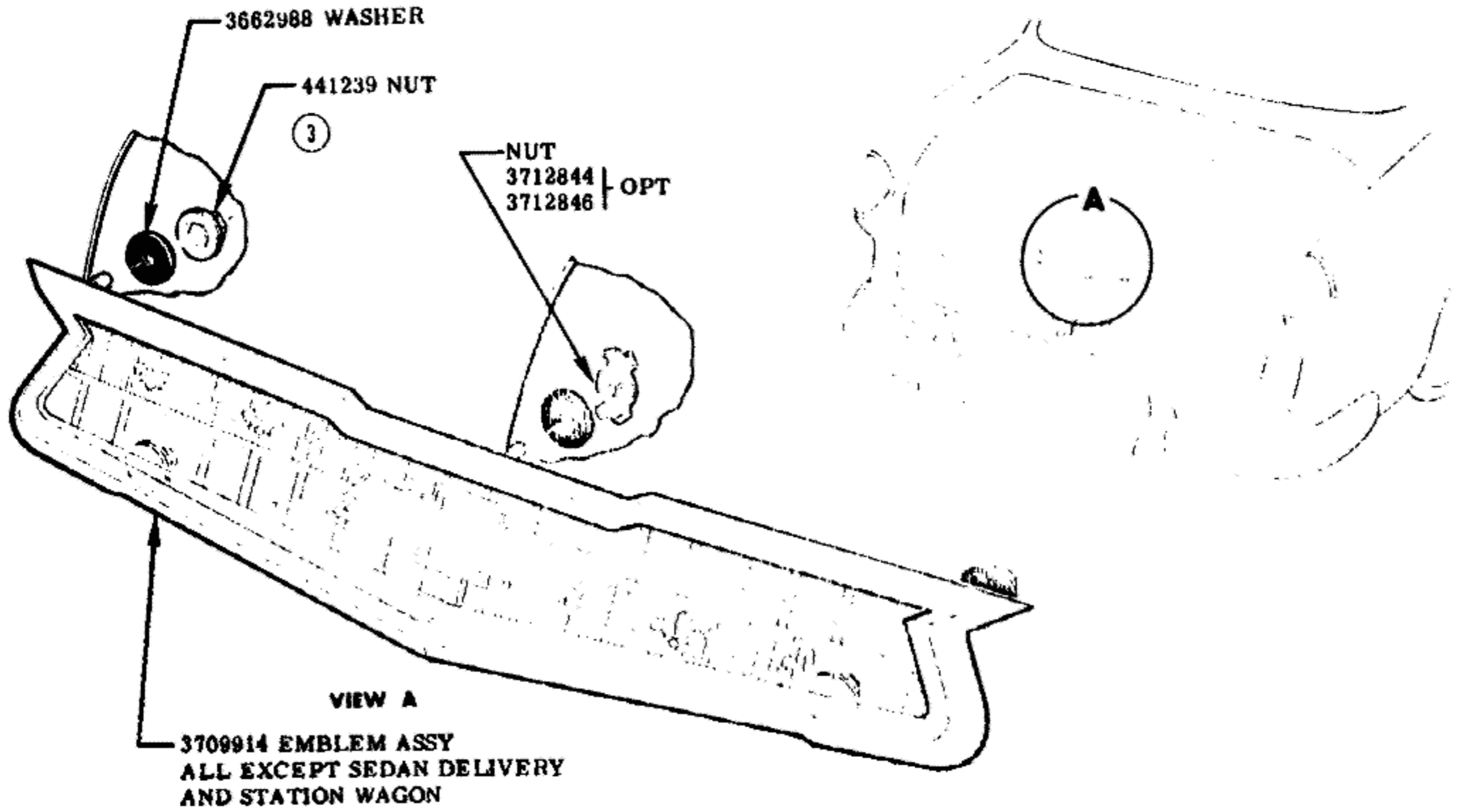


MODELS

ALL

WINDSHIELD WIPER INSTRUCTION

	8	WAS 2429-2434-2454				F	NAME PASSENGER CAR INSTRUCTION MANUAL				
	7	WAS ALL EXCEPT 2429 2434-2454					REF.	DRAWN JM	CHECKED EW	SECT.	SHEET
6-10-55	6	REDRAWN	8507				DATE 7-1-54	PART No. 3712500		1	13.00
DATE	SYM.	REVISION RECORD	AUTH.	DR.	CK.						

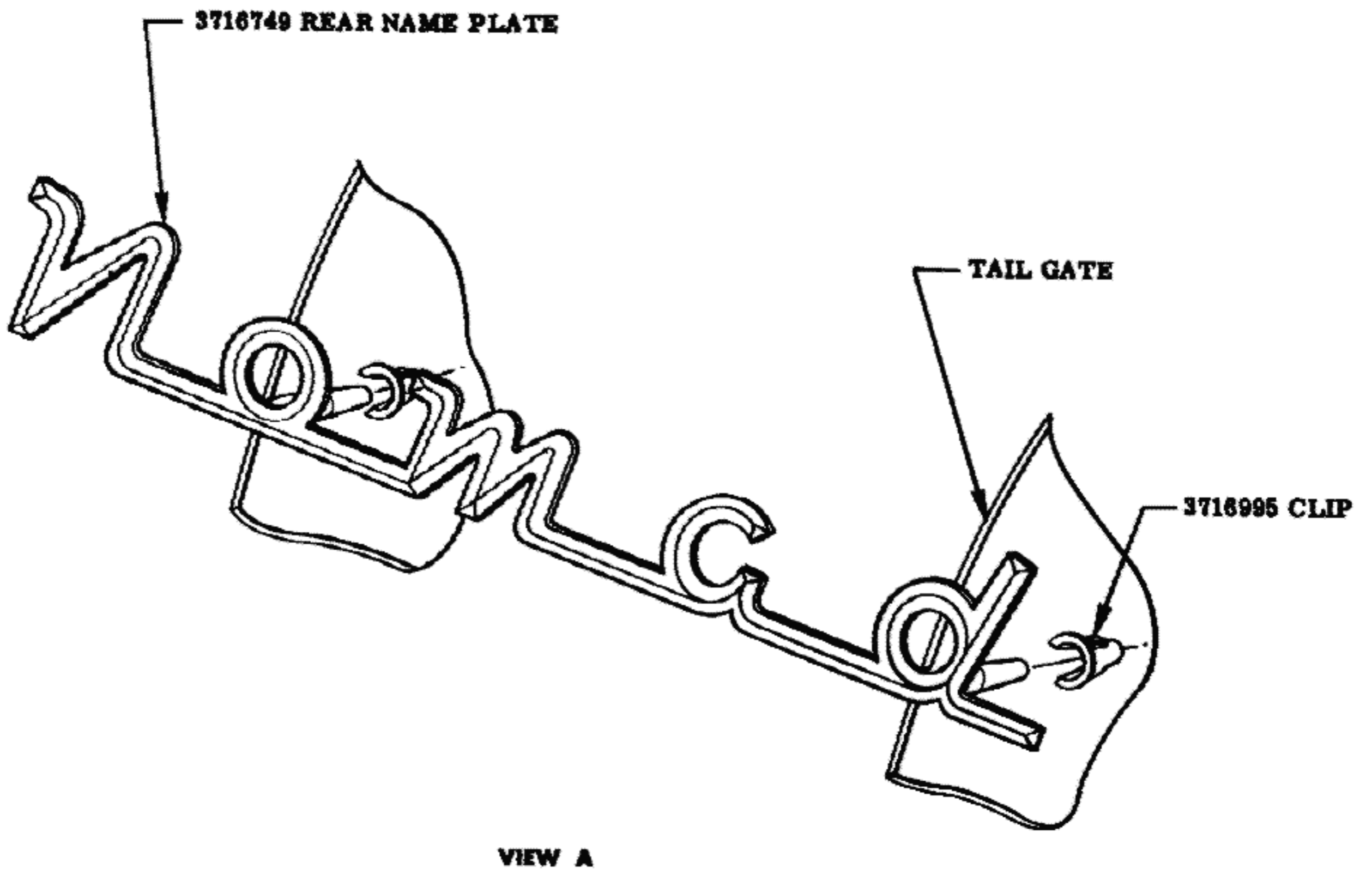
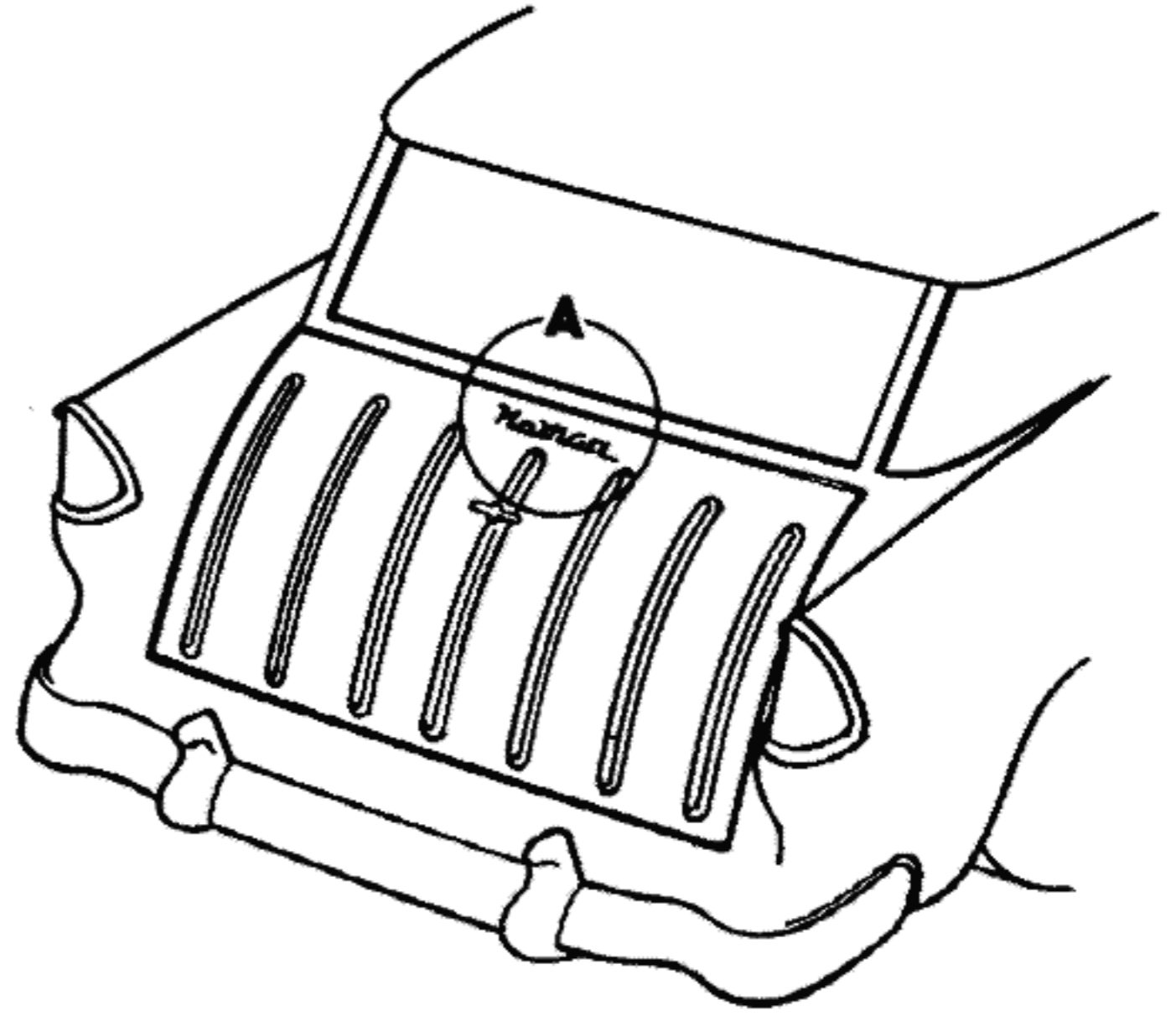


MODELS  
 ① ALL EXCEPT 2429

**REAR EMBLEM INSTRUCTION**

					NAME PASSENGER CAR INSTRUCTION MANUAL					
DATE	SYM.	REVISION RECORD	AUTH.	DR.	CK.	REF.	DRAWN	CHECKED	SECT.	SHEET
5-17-55	3	WAS 446059	1337		F		JM	EW		
11-30-54	2	WAS 3711000	5847		GB					
9-1-54	1	MODELS REVISED	2612		GB	DATE	PART No.		1	14.00
						5-1-54	3712500			

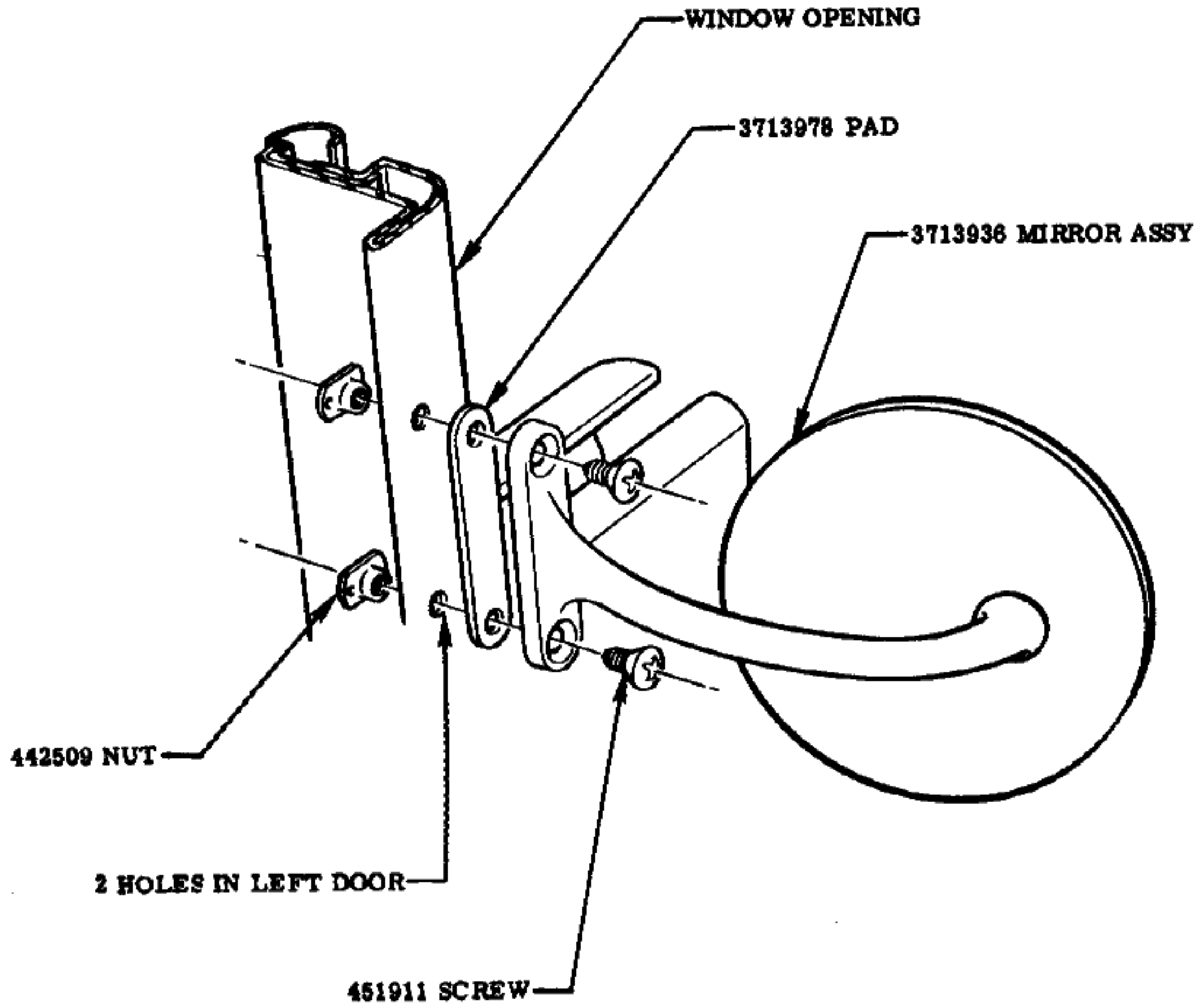




**REAR EMBLEM INSTRUCTION**

**MODELS**  
2429

					NAME PASSENGER CAR INSTRUCTION MANUAL				
					REF.	DRAWN	CHECKED	SECT.	SHEET
					ECR 2612	GS	GB	1	14.01
9-1-54	1	NEW SHEET	2612	GB	DATE	PART No.			
DATE	SYM.	REVISION RECORD	AUTH.	DR.	CK.	9-1-54	3712500		



**OUTSIDE REAR VIEW MIRROR INSTRUCTION**

**MODELS**

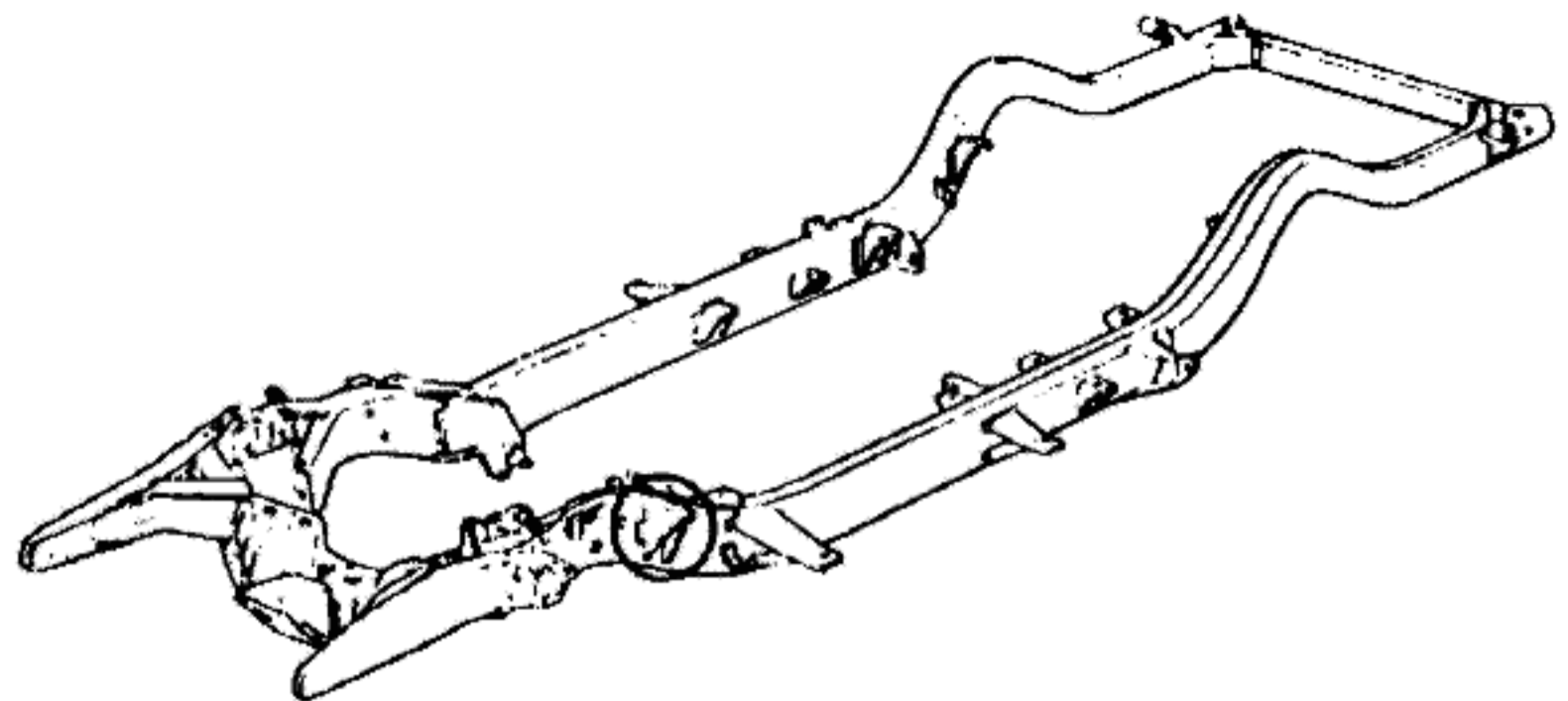
SEDAN DELIVERY

					NAME PASSENGER CAR INSTRUCTION MANUAL				
					REF.	DRAWN JM	CHECKED EW	SECT.	SHEET
					DATE 5-1-54	PART No. 3712500		1	15.00
DATE	SYM.	REVISION RECORD	AUTH.	DR.	CK.				



- 11 8 122194 BOLT
- 3711009 WASHER
- 14 102635 NUT

DASH LEG



3711610 SPACER

3712560 SHIM AS REQUIRED

3711607 CUSHION ASSY

3711608 CUSHION

3723392 WASHER 12

BODY BRACKET

- 9 10 122181 BOLT
- 3711009 WASHER
- 15 102635 NUT

ALL EXCEPT CONVERTIBLE

3714408 BODY SHIM

DASH LEG

3712560 SHIM AS REQUIRED

333066 WASHER 13

BODY BRACKET

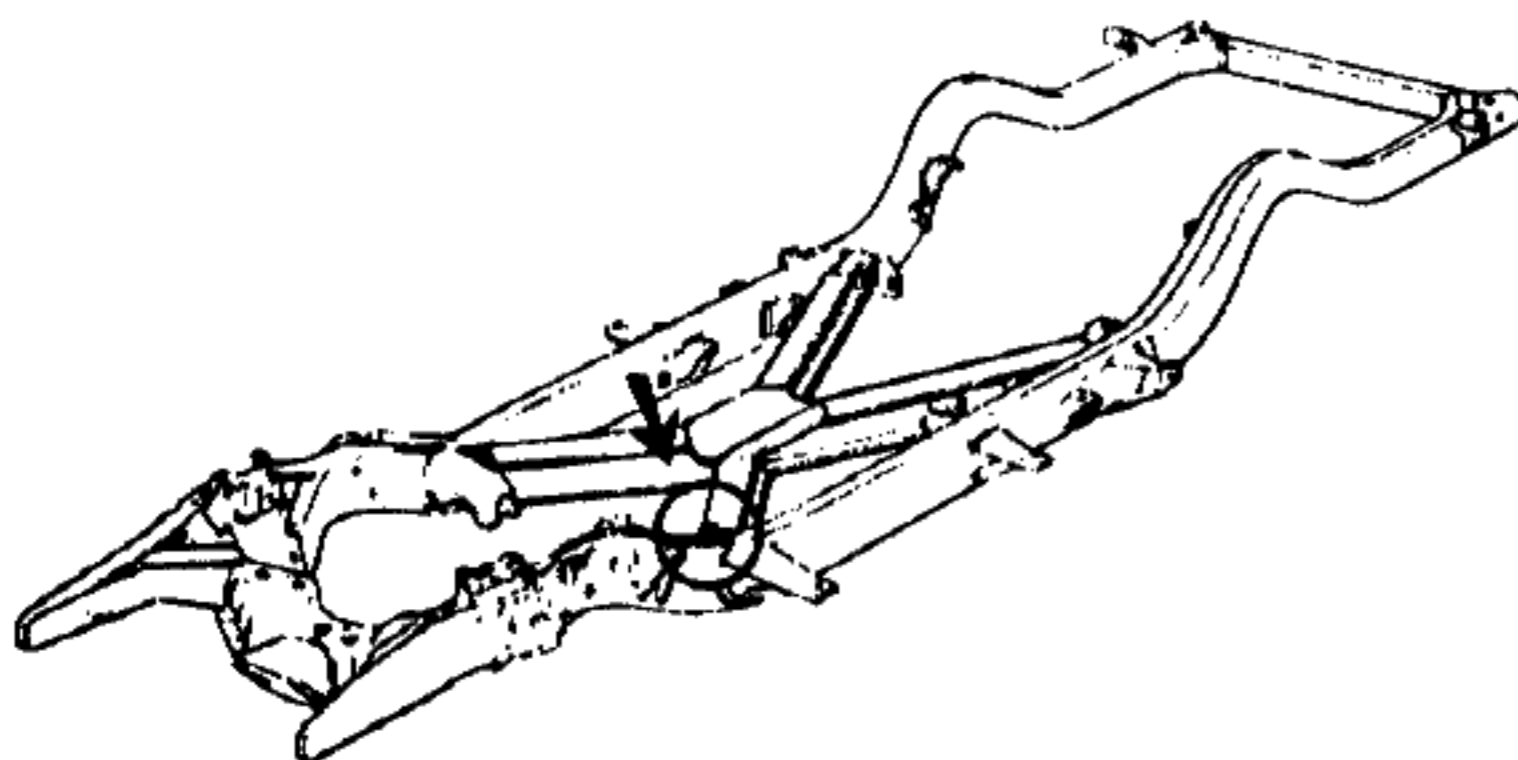
CONVERTIBLE

**NO. 1 BODY MOUNTING INSTRUCTION**

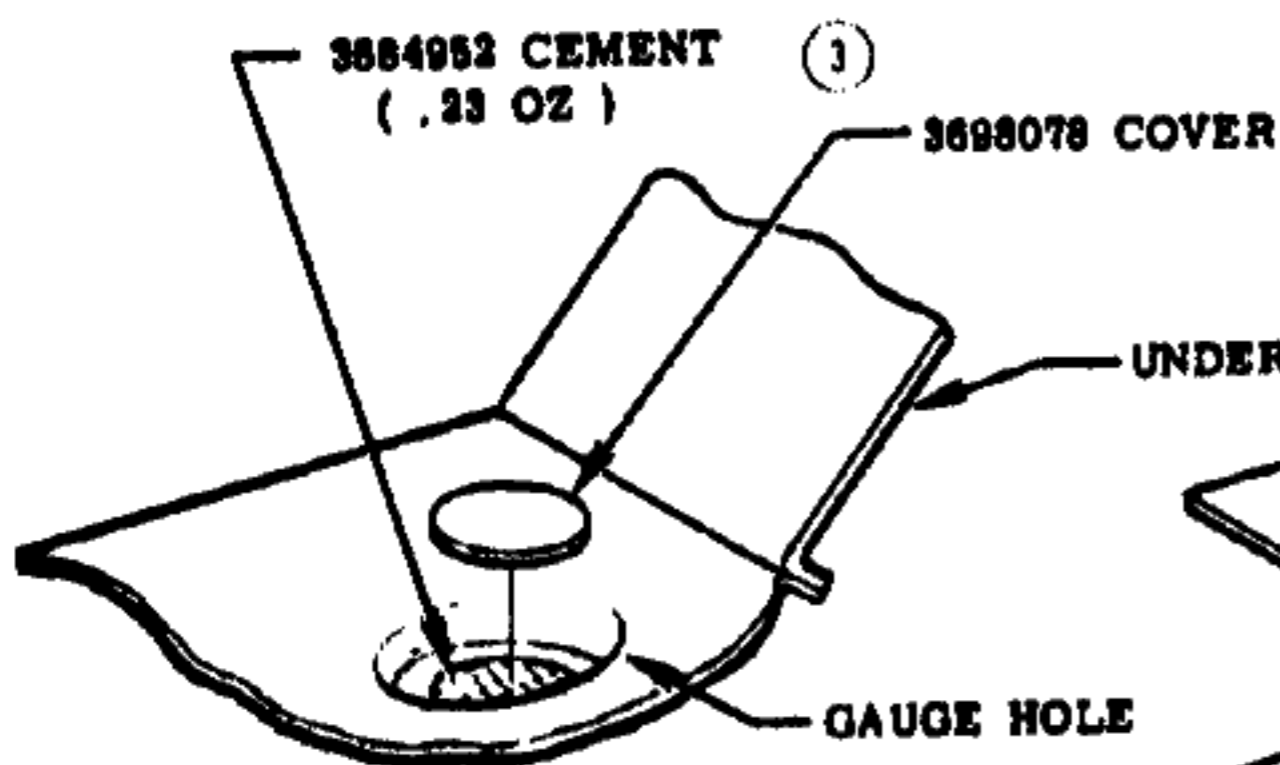
**MODELS**  
ALL

DATE	SYM.	REVISION RECORD	AUTH.	DR.	CK.
	15	103321 - L. W. REMOVED			F
	14	103321 - L. W. REMOVED			
	13	WAS 3711034			
5-9-55	12	WAS 3711611	9393		
	11	WAS 122194	9259		F
4-14-55	10	WAS 122181	9258		
	9	WAS 3658157	7954		F
	8	WAS 3706892	7953		
2-22-55	7	REDRAWN			

NAME PASSENGER CAR INSTRUCTION MANUAL				
REF.	DRAWN JM	CHECKED EW	SECT. 1	SHEET 16.00
DATE 5-1-54	PART No. 3712500			



3711623 BOLT  
333066 WASHER (5)  
102835 NUT (7)



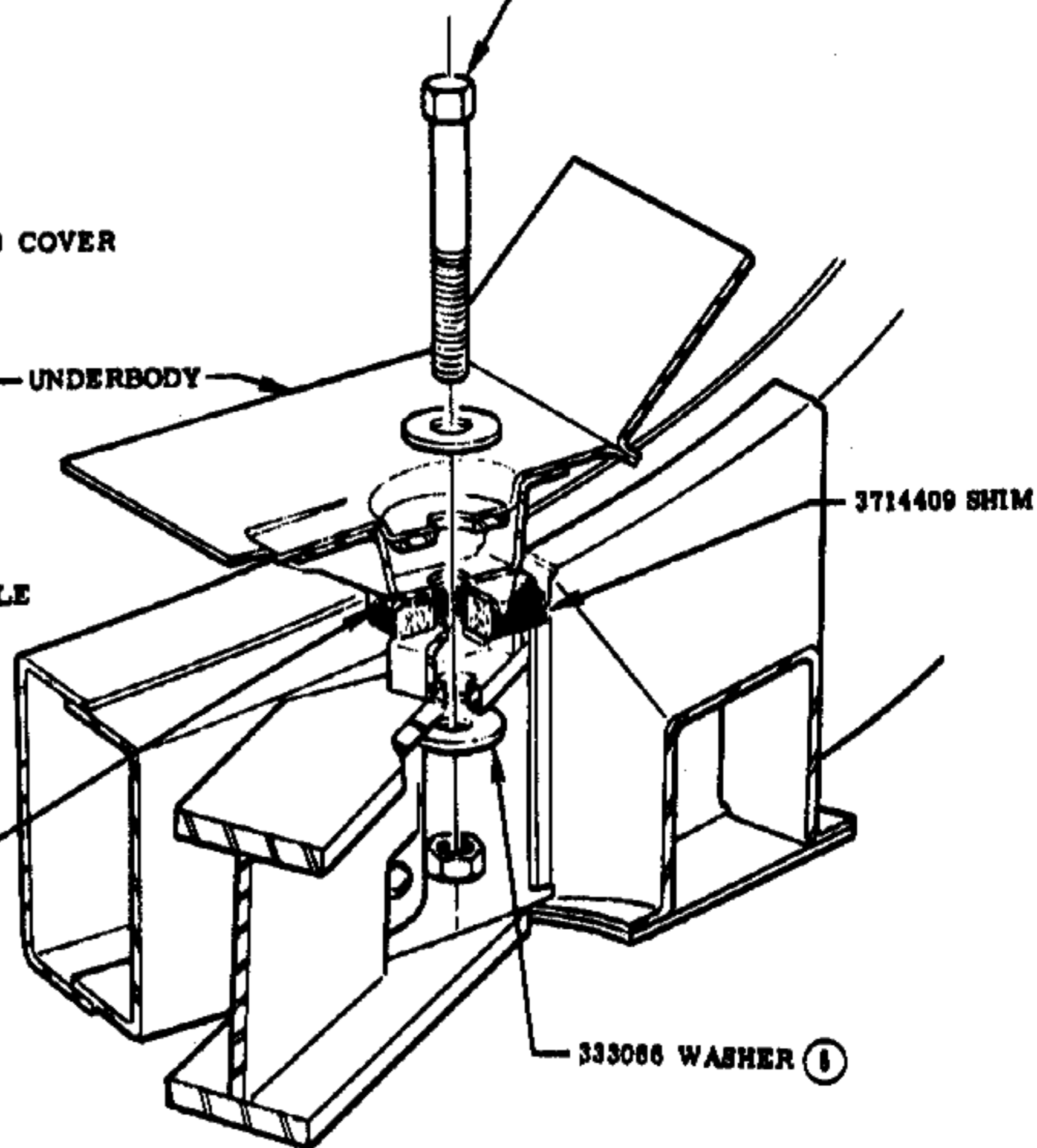
3684952 CEMENT ( .23 OZ ) (3)

3698078 COVER

UNDERBODY

GAUGE HOLE

(2) ALL EXCEPT CONVERTIBLE



3714409 SHIM

3712809 SHIM AS REQUIRED

333066 WASHER (6)

FIRST SHIM TO BE ROTATED UNTIL TAB CONTACT CORNERS AS SHOWN. ADDITIONAL SHIMS MUST BE STACGERED AS SHOWN.

CROSS MEMBER

CONVERTIBLE

**NO. 2 INNER BODY MOUNTING & GAUGE HOLE INSTRUCTION**

MODELS ALL

DATE	SYM.	REVISION RECORD	AUTH.	DR.	CK.
	7	103321 - LW REMOVED			F
	6	333066 WAS 3711034			
6-9-55	5	333066 WAS 3711034	9593		
	4	MODELS ADDED			GB
	3	PARTS ADDED			
	2	VIEW ADDED			
10-8-54	1	TITLE REVISED	4845		

NAME PASSENGER CAR INSTRUCTION MANUAL					
REF.	DRAWN JM	CHECKED EW	SECT.	SHEET	
DATE 8-1-54	PART No. 3712800		1	17.00	